



Product features:

- Metal construction throughout
- Quarter turn handle action for precise flow control
- Custom designed for lower range pressures
- Fixed spout to prevent accidental water damage
- Adjustable to suit various thickness of wall

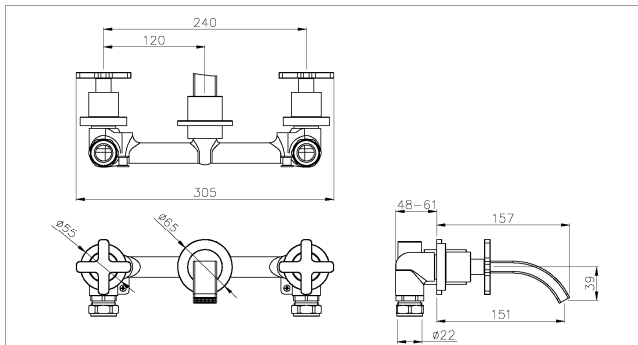
Packaged properties:

Box length: 395 mm **Box depth:** 95 mm
Box width: 165 mm **Boxed weight:** 2.75 kg

Includes pop up waste?: No

Additional comments:
 Includes mounting screws

Product dimensions:



- **Overall Height / projection:** 157 mm
- **Exit reach:** 151 mm
- **Exit height:** 39 mm
- **Centre distance(s):** 240 mm
- **Base diameter(s):** 55, 65, 55 mm
- **Product mounted where:** Wall
- **Recommended hole diameter:** 35, 42, 35 mm
- **Min. fitting depth required:** 50 - 57 mm
- **Max. surface depth:**

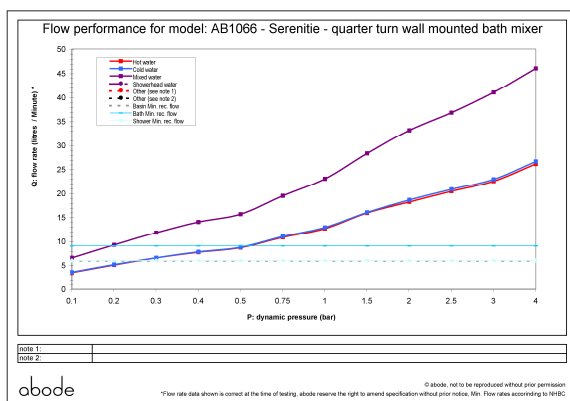
Serenitie
 wall mounted
 3 part bath mixer

AB1066 v1

(c) abode home products ltd
 www.abode.eu
 our policy is to continually
 improve and develop products,
 and accordingly we reserve the
 right to amend specifications
 without prior notice

abode

Product flow characteristics:



- **Min / Max water pressure:** 0.20 / 5 bar
- **Part G mixed flow rate at 3 bar (l/m):** 41
- **Max water temperature:** 70° C
- **Product flow characteristics:** Single flow
- **Aerator type:** Grey flow straightener
- **Includes output diverter?:** No
- **Control valve type:** 3/4" QT CD (8-24 extended)
- **Non return valve position:**
- **Mesh particle filter size:**
- **Inlet / outlet size:** 3/4" M /
- **Inlet type / length:** Fixed / mm
- **Shower hose type / length:**

Warranty Summary (Full details available on request):

- Materials and workmanship defects warranted for 5 years
- Valves and working parts warranted for 2 years
- Surface warranty defects warranted for 1 year
- O-rings, hoses & gaskets warranted for 1 year

Care instructions:

- Clean the mixers and showers regularly as required, using soap, do not use any other cleaners.
- Regular cleaning will prevent the build up of lime scale and dirt
- After cleaning rinse thoroughly with clean water to remove any cleaner residue
- Residues of liquid soaps, shampoos and shower foams can also cause damage, so rinse with clean water after using, avoid contact with any abrasives