



### Product features:

- Metal & ABS construction
- Quarter turn handle action for precise flow control
- Custom designed for lower range pressures
- Fixed spout to prevent accidental water damage
- Single spray pattern showerhead

### Packaged properties:

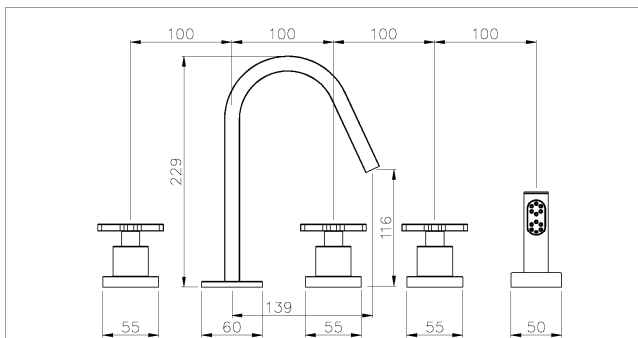
**Box length:** 305 mm      **Box depth:** 155 mm  
**Box width:** 235 mm      **Boxed weight:** 6.01 kg

**Includes pop up waste?:** No

### Additional comments:

ABS showerhead, push fit handles, compression diverter

### Product dimensions:



- **Overall Height / projection:** 229 mm
- **Exit reach:** 139 mm
- **Exit height:** 116 mm
- **Centre distance(s):** 100 - 150 mm
- **Base diameter(s):** 55, 60, 55, 55, 50 mm
- **Product mounted where:** Surface
- **Recommended hole diameter:** Ø 32, 36, 32, 28, 42 mm
- **Min. fitting depth required:**
- **Max. surface depth:** 25 mm

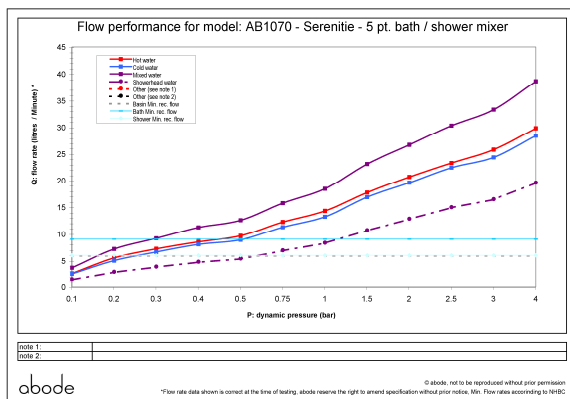
Serenitie  
5 part bath/shower  
mixer

AB1070 v1

(c) abode home products ltd  
www.abode.eu  
our policy is to continually  
improve and develop products,  
and accordingly we reserve the  
right to amend specifications  
without prior notice

abode

### Product flow characteristics:



- **Min / Max water pressure:** 0.3 bath & 0.6 shower / 5 bar
- **Part G mixed flow rate at 3 bar (l/m):** bath=33.3, shower=16.5

- **Max water temperature:** 70° C
- **Product flow characteristics:** Single flow
- **Aerator type:** Grey flow straightener
- **Includes output diverter?:** Yes
- **Control valve type:** 3/4" QT CD (8-20)
- **Non return valve position:**
- **Mesh particle filter size:**
- **Inlet / outlet size:** 3/4" M /
- **Inlet type / length:** Fixed / mm
- **Shower hose type / length:** Metal linked / 2.00 m

### Warranty Summary (Full details available on request):

- Materials and workmanship defects warranted for 5 years
- Valves and working parts warranted for 2 years
- Surface warranty defects warranted for 1 year
- O-rings, hoses & gaskets warranted for 1 year

### Care instructions:

- Clean the mixers and showers regularly as required, using soap, do not use any other cleaners.
- Regular cleaning will prevent the build up of lime scale and dirt
- After cleaning rinse thoroughly with clean water to remove any cleaner residue
- Residues of liquid soaps, shampoos and shower foams can also cause damage, so rinse with clean water after using, avoid contact with any abrasives