

Product features:

- Metal construction throughout
- Custom designed for lower range pressures
- Quarter turn handle action for precise flow control
- Modern minimalism with flair
- Fixed spout to prevent accidental water damage

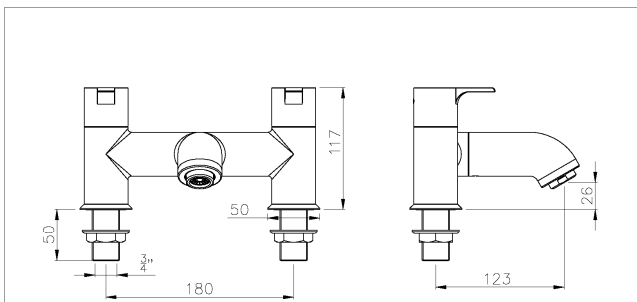
Packaged properties:

Box length: 265 mm **Box depth:** 185 mm
Box width: 185 mm **Boxed weight:** 2.88 kg

Includes pop up waste?: No

Additional comments:

Product dimensions:



- **Overall Height / projection:** 117 mm
- **Exit reach:** 123 mm
- **Exit height:** 26 mm
- **Centre distance(s):** 180 mm
- **Base diameter(s):** 50 mm
- **Product mounted where:** Surface
- **Recommended hole diameter:** 32 mm
- **Min. fitting depth required:**
- **Max. surface depth:**

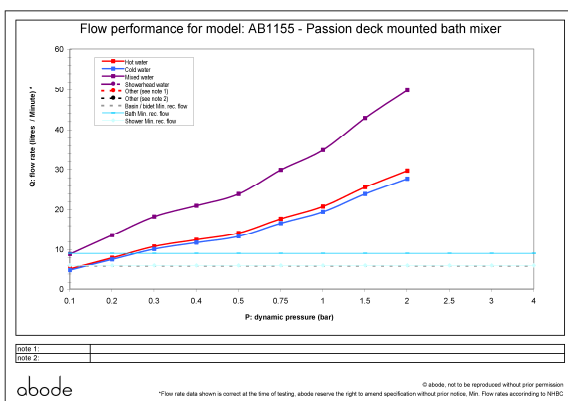
Passion
bath mixer

AB1155 v1

(c) abode home products ltd
www.abode.eu
our policy is to continually
improve and develop products,
and accordingly we reserve the
right to amend specifications
without prior notice

abode

Product flow characteristics:



- **Min / Max water pressure:** 0.10 / 5 bar
- **Part G mixed flow rate at 3 bar (l/m):** >49.7
- **Max water temperature:** 70° C
- **Product flow characteristics:** Single flow
- **Aerator type:** White flow straightener
- **Includes output diverter?:** No
- **Control valve type:** 3/4" QT CD (8-20)
- **Non return valve position:**
- **Mesh particle filter size:**
- **Inlet / outlet size:** 3/4" M /
- **Inlet type / length:** Fixed / 55 mm
- **Shower hose type / length:**

Warranty Summary (Full details available on request):

- Materials and workmanship defects warranted for 5 years
- Valves and working parts warranted for 2 years
- Surface warranty defects warranted for 1 year
- O-rings, hoses & gaskets warranted for 1 year

Care instructions:

- Clean the mixers and showers regularly as required, using soap, do not use any other cleaners.
- Regular cleaning will prevent the build up of lime scale and dirt
- After cleaning rinse thoroughly with clean water to remove any cleaner residue
- Residues of liquid soaps, shampoos and shower foams can also cause damage, so rinse with clean water after using, avoid contact with any abrasives