

Product features:

- Metal & ABS construction
- Leading design features requiring high pressure
- Thermostatic valve for safety & comfort
- Single spray pattern showerhead
- Self cancelling diverter included for maximum flexibility

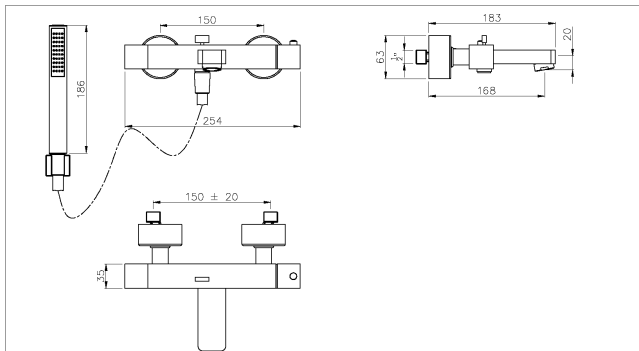
Packaged properties:

Box length: 360 mm **Box depth:** 190 mm
Box width: 240 mm **Boxed weight:** 3.69 kg

Includes pop up waste?: No

Additional comments:
 ABS showerhead & wall bracket

Product dimensions:



- **Overall Height / projection:** 183 mm
- **Exit reach:** 168 mm
- **Exit height:** 20 mm
- **Centre distance(s):** 150 ± 20 mm
- **Base diameter(s):** 63 mm
- **Product mounted where:** Wall
- **Recommended hole diameter:**
- **Min. fitting depth required:** 60 mm
- **Max. surface depth:**

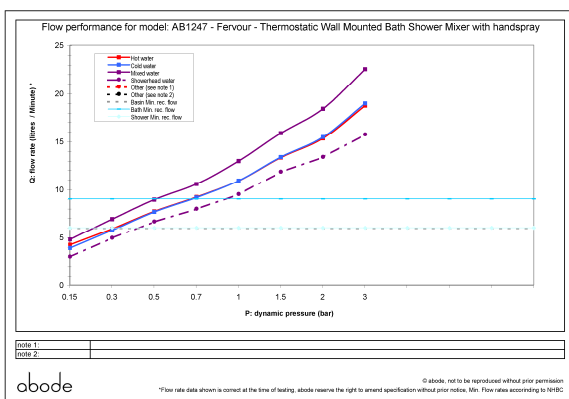
Fervour
 thermostatic wall mounted bath
 shower mixer with handspray

AB1247 v1

(c) abode home products ltd
 www.abode.eu
 our policy is to continually
 improve and develop products,
 and accordingly we reserve the
 right to amend specifications
 without prior notice



Product flow characteristics:



- **Min / Max water pressure:** 1.2 bath & 0.4 shower / 5 bar
- **Part G mixed flow rate at 3 bar (l/m):** bath=22.52, shower=15.73
- **Max water temperature:** 70° C
- **Product flow characteristics:** Single flow
- **Aerator type:** Grey flow straightener
- **Includes output diverter?:** Yes
- **Control valve type:** Thermostatic ()
- **Non return valve position:** h&c inlet & shower exit
- **Mesh particle filter size:** 0.60 mm
- **Inlet / outlet size:** 1/2" M / 3/4" M
- **Inlet type / length:** Eccentric / mm
- **Shower hose type / length:** Smoothflex / 1.50 m

Warranty Summary (Full details available on request):

- Materials and workmanship defects warranted for 5 years
- Valves and working parts warranted for 2 years
- Surface warranty defects warranted for 1 year
- O-rings, hoses & gaskets warranted for 1 year

Care instructions:

- Clean the mixers and showers regularly as required, using soap, do not use any other cleaners.
- Regular cleaning will prevent the build up of lime scale and dirt
- After cleaning rinse thoroughly with clean water to remove any cleaner residue
- Residues of liquid soaps, shampoos and shower foams can also cause damage, so rinse with clean water after using, avoid contact with any abrasives