



### Product features:

- Metal construction throughout
- Single lever control for effortless single handed control
- Zen inspired contemporary design
- Supplied complete with flexible tail pipes for fast simple fitting
- Flow restricted to 3.5 litres/min to reduce splashing and save water

### Packaged properties:

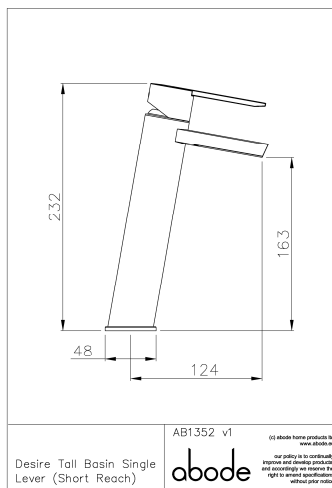
**Box length:** 360 mm      **Box depth:** 100 mm  
**Box width:** 195 mm      **Boxed weight:** 2.43 kg

**Includes pop up waste?:** No

### Additional comments:

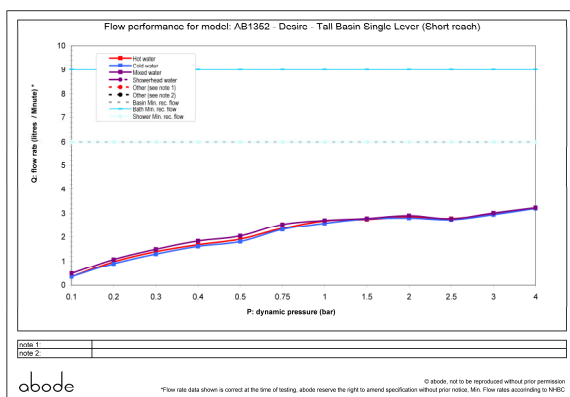
Includes mesh filter washers

### Product dimensions:



- **Overall Height / projection:** 232 mm
- **Exit reach:** 124 mm
- **Exit height:** 163 mm
- **Centre distance(s):**
- **Base diameter(s):** 48 mm
- **Product mounted where:** Surface
- **Recommended hole diameter:** 35 mm
- **Min. fitting depth required:**
- **Max. surface depth:** 40 mm

### Product flow characteristics:



- **Min / Max water pressure:** 1.50 / 5 bar
- **Part G mixed flow rate at 3 bar (l/m):** 3.02
- **Max water temperature:** 70° C
- **Product flow characteristics:**
- **Aerator type:**
- **Includes output diverter?:** No
- **Control valve type:** Single lever ( )
- **Non return valve position:**
- **Mesh particle filter size:** 0.60 mm
- **Inlet / outlet size:** 1/2" F / M8
- **Inlet type / length:** Flexi / 450 mm
- **Shower hose type / length:**

### Warranty Summary (Full details available on request):

- Materials and workmanship defects warranted for 5 years
- Valves and working parts warranted for 2 years
- Surface warranty defects warranted for 1 year
- O-rings, hoses & gaskets warranted for 1 year

### Care instructions:

- Clean the mixers and showers regularly as required, using soap, do not use any other cleaners.
- Regular cleaning will prevent the build up of lime scale and dirt
- After cleaning rinse thoroughly with clean water to remove any cleaner residue
- Residues of liquid soaps, shampoos and shower foams can also cause damage, so rinse with clean water after using, avoid contact with any abrasives