

Product features:

- Metal construction throughout
- Single lever control for effortless single handed control
- Zen inspired contemporary design
- Supplied complete with flexible tail pipes for fast simple fitting
- Flow restricted to 3.5 litres/min to reduce splashing and save water

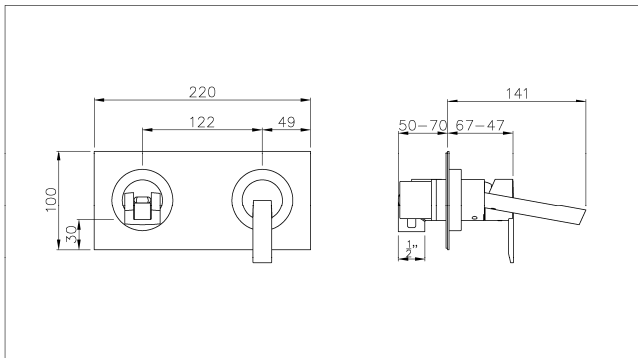
Packaged properties:

Box length: 310 mm **Box depth:** 100 mm
Box width: 250 mm **Boxed weight:** 2.94 kg

Includes pop up waste?: No

Additional comments:

Product dimensions:



- **Overall Height / projection:** 100 mm
- **Exit reach:** 141 mm
- **Exit height:**
- **Centre distance(s):**
- **Base diameter(s):** 62 mm
- **Product mounted where:** Wall
- **Recommended hole diameter:** 200 x 80 mm
- **Min. fitting depth required:** 70 mm
- **Max. surface depth:** 20 mm

Desire Wall Mounted
Basin Mixer

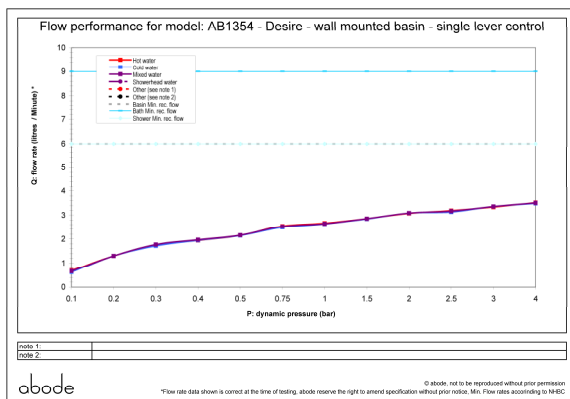
AB1354 v1

(c) abode home products ltd
www.abode.eu

abode

our policy is to continually improve and develop products, and accordingly we reserve the right to amend specifications without prior notice

Product flow characteristics:



- **Min / Max water pressure:** 1.50 / 5 bar
- **Part G mixed flow rate at 3 bar (l/m):** 3.36

- **Max water temperature:** 70° C
- **Product flow characteristics:**
- **Aerator type:**
- **Includes output diverter?:** No
- **Control valve type:** Single lever ()
- **Non return valve position:**
- **Mesh particle filter size:** 0.60 mm
- **Inlet / outlet size:** 1/2" F /
- **Inlet type / length:** Fixed / mm
- **Shower hose type / length:**

Warranty Summary (Full details available on request):

- Materials and workmanship defects warranted for 5 years
- Valves and working parts warranted for 2 years
- Surface warranty defects warranted for 1 year
- O-rings, hoses & gaskets warranted for 1 year

Care instructions:

- Clean the mixers and showers regularly as required, using soap, do not use any other cleaners.
- Regular cleaning will prevent the build up of lime scale and dirt
- After cleaning rinse thoroughly with clean water to remove any cleaner residue
- Residues of liquid soaps, shampoos and shower foams can also cause damage, so rinse with clean water after using, avoid contact with any abrasives