



Product features:

- Metal & ABS construction
- Smoothflex shower hose for stylish durability
- Multi spray pattern showerhead
- Luscious European quality chromium plate finish
- The perfect combination of European design styles

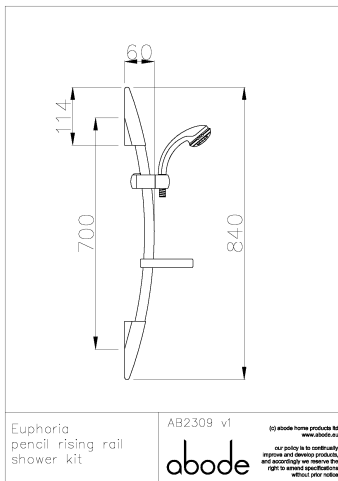
Packaged properties:

Box length: 790 mm **Box depth:** 100 mm
Box width: 195 mm **Boxed weight:** 1.57 kg

Includes pop up waste?: No

Additional comments:
 4 pattern & off showerhead, includes soap dish

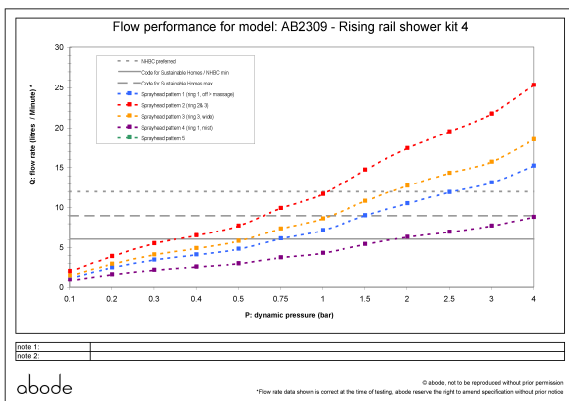
Product dimensions:



Euphoria pencil rising rail shower kit
 AB2309 v1
 abode
(c) abode home products ltd www.abode.eu
 All prices are continually revised and changing products, and drawings we reserve the right to amend specifications without prior notice.

- **Overall Height / projection:** 840 mm
- **Exit reach:** 190 mm
- **Exit height:** 60 mm
- **Centre distance(s):** 700 mm
- **Base diameter(s):**
- **Product mounted where:** Wall
- **Recommended hole diameter:**
- **Min. fitting depth required:**
- **Max. surface depth:**

Product flow characteristics:



- **Min / Max water pressure:** 0.35 / 5 bar
- **Part G mixed flow rate at 3 bar (l/m):** 21.7
- **Max water temperature:** 70° C
- **Product flow characteristics:**
- **Aerator type:**
- **Includes output diverter?:** No
- **Control valve type:** ()
- **Non return valve position:**
- **Mesh particle filter size:**
- **Inlet / outlet size:** 1/2" F / 1/2" F
- **Inlet type / length:** / mm
- **Shower hose type / length:** Smoothflex / 1.50 m

Warranty Summary (Full details available on request):

- Materials and workmanship defects warranted for 5 years
- Valves and working parts warranted for 2 years
- Surface warranty defects warranted for 1 year
- O-rings, hoses & gaskets warranted for 1 year

Care instructions:

- Clean the mixers and showers regularly as required, using soap, do not use any other cleaners.
- Regular cleaning will prevent the build up of lime scale and dirt
- After cleaning rinse thoroughly with clean water to remove any cleaner residue
- Residues of liquid soaps, shampoos and shower foams can also cause damage, so rinse with clean water after using, avoid contact with any abrasives