



Product features:

- Smoothflex shower hose for stylish durability
- Single spray pattern showerhead
- Smoothflex shower hose for stylish durability

Packaged properties:

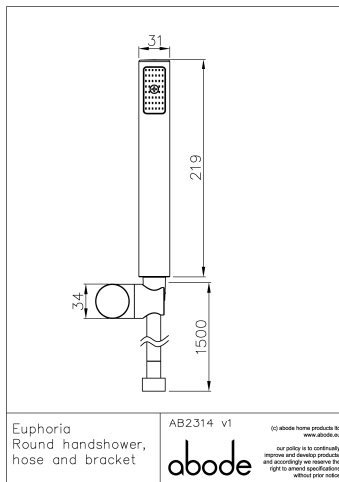
Box length: 310 mm **Box depth:** 190 mm
Box width: 190 mm **Boxed weight:** 0.67 kg

Includes pop up waste?: No

Additional comments:

Includes fixing screws

Product dimensions:

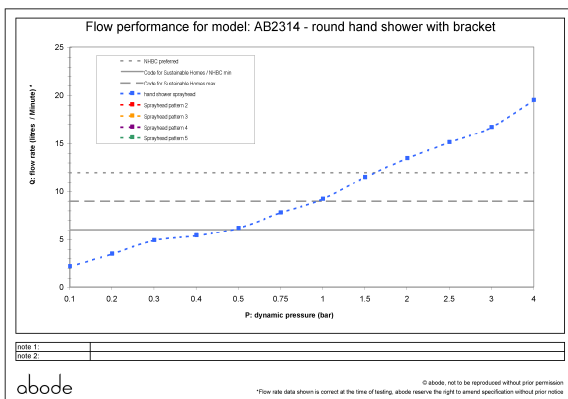


• Overall Height / projection:

- **Exit reach:**
- **Exit height:** 219 mm
- **Centre distance(s):**

- **Base diameter(s):** 34 mm
- **Product mounted where:** Wall
- **Recommended hole diameter:**
- **Min. fitting depth required:**
- **Max. surface depth:**

Product flow characteristics:



- **Min / Max water pressure:** 0.50 / 5 bar
- **Part G mixed flow rate at 3 bar (l/m):** 16.7

- **Max water temperature:** 70° C
- **Product flow characteristics:**
- **Aerator type:**
- **Includes output diverter?:** No
- **Control valve type:** ()
- **Non return valve position:**
- **Mesh particle filter size:**
- **Inlet / outlet size:** 1/2" F / 1/2" F
- **Inlet type / length:** Flexi / mm
- **Shower hose type / length:** Smoothflex / 1.50 m

Warranty Summary (Full details available on request):

- Materials and workmanship defects warranted for 5 years
- Valves and working parts warranted for 2 years
- Surface warranty defects warranted for 1 year
- O-rings, hoses & gaskets warranted for 1 year

Care instructions:

- Clean the mixers and showers regularly as required, using soap, do not use any other cleaners.
- Regular cleaning will prevent the build up of lime scale and dirt
- After cleaning rinse thoroughly with clean water to remove any cleaner residue
- Residues of liquid soaps, shampoos and shower foams can also cause damage, so rinse with clean water after using, avoid contact with any abrasives