



Product features:

- Metal construction throughout
- Subtle soft sweeping design form
- 5 year limited warranty
- Luscious European quality chromium plate finish

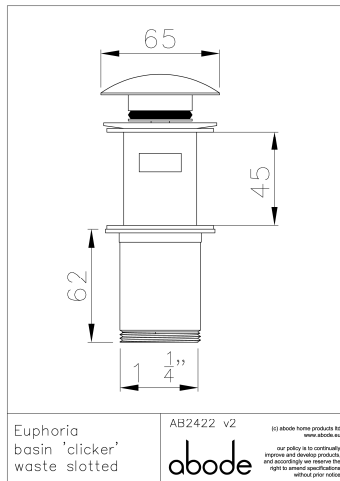
Packaged properties:

Box length: 112 mm **Box depth:** 78 mm
Box width: 78 mm **Boxed weight:** 0.38 kg

Includes pop up waste?: No

Additional comments:
 Slotted waste

Product dimensions:



- **Overall Height / projection:** 105 mm
- **Exit reach:**
- **Exit height:**
- **Centre distance(s):**
- **Base diameter(s):**
- **Product mounted where:** Surface
- **Recommended hole diameter:** Ø 43-55 mm
- **Min. fitting depth required:**
- **Max. surface depth:** 45 mm

Product flow characteristics:

- **Min / Max water pressure:** / bar
- **Part G mixed flow rate at 3 bar (l/m):** N/A
- **Max water temperature:**
- **Product flow characteristics:**
- **Aerator type:**
- **Includes output diverter?:** No
- **Control valve type:** ()
- **Non return valve position:**
- **Mesh particle filter size:**
- **Inlet / outlet size:** / 1 1/4" M
- **Inlet type / length:** / mm
- **Shower hose type / length:**

Flow graph not available

Warranty Summary (Full details available on request):

- Materials and workmanship defects warranted for 5 years
- Valves and working parts warranted for 2 years
- Surface warranty defects warranted for 1 year
- O-rings, hoses & gaskets warranted for 1 year

Care instructions:

- Clean the mixers and showers regularly as required, using soap, do not use any other cleaners.
- Regular cleaning will prevent the build up of lime scale and dirt
- After cleaning rinse thoroughly with clean water to remove any cleaner residue
- Residues of liquid soaps, shampoos and shower foams can also cause damage, so rinse with clean water after using, avoid contact with any abrasives