

Product Finish: Pewter

Product code: AT3034
EAN13 barcode: 5060048383430



Note: the image shown may not reflect the product finish, chrome finish is typically depicted.

Product features:

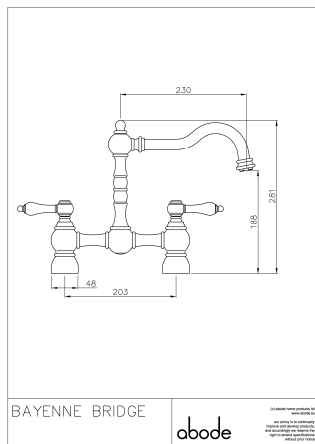
- Low lead brass construction
- Quarter turn handle action for precise flow control
- French provincial design aesthetic
- Supplied with long 1/2" inlets, suitable for thicker worktops
- Antisplash spout supplied as standard

Additional information / Parts included:

Packaged properties:

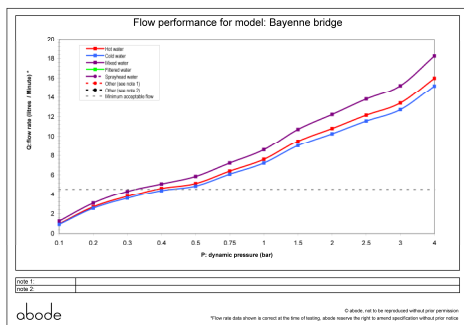
Box length (mm): 605 **Box depth (mm):** 85 **Tap only weight (kg):** 4.04
Box width (mm): 320 **Units per outer:** 5 **Boxed weight (kg):** 4.88

Product dimensions:



- **Overall Height / projection (mm):** 281
- **Exit reach (mm):** 230
- **Exit height (mm):** 188
- **Centre distance(s):** 203mm nominal
- **Base diameter(s) (mm):** 48
- **Recommended hole diameter (mm):** Ø 35
- **Max. surface depth (mm):** 60
- **Spout diameter (mm):** 20
- **Spout aerator size:** M20

Product flow characteristics:



- **Min / Max water pressure (bar):** 0.40 / 5.5
- **Recommended / Max water temperature:** 46°C / 70°C
- **Part G - Mixed flow rate at 3 bar (litres / min):** 15.23
- **Control valve type:** Ceramic disc QT
- **Product flow characteristics:** Single flow
- **Non-return/Check valve(s):** Integral to H & C inlets
- **Aerator type:** Neoperl SLIM AIR CCSLC – STD flow class V
- **Accepts revolve / spray aerator:** No
- **Spout connection method:** Locking collar
- **Tail pipe inlet / outlet size:** 3/4" BSP male / 1/2" BSP Male
- **Inlet pipe type / length (mm):** fixed threaded inlets / 80

Care instructions summary:

- Clean the product regularly using a mild washing up liquid, do not use any other cleaners.
- Regular cleaning will prevent the build up of lime scale and dirt
- After cleaning rinse thoroughly with clean water to remove any cleaner residue
- Residues of sink & worktop cleaners can also cause damage, so rinse with clean water after using, avoid contact with any abrasives

Warranty Summary (Full details available on request):

- Materials and workmanship defects warranted for 5 years
- Valves and working parts warranted for 5 years
- Surface warranty defects warranted for 5 years
- O-rings, hoses & gaskets warranted for 5 years

