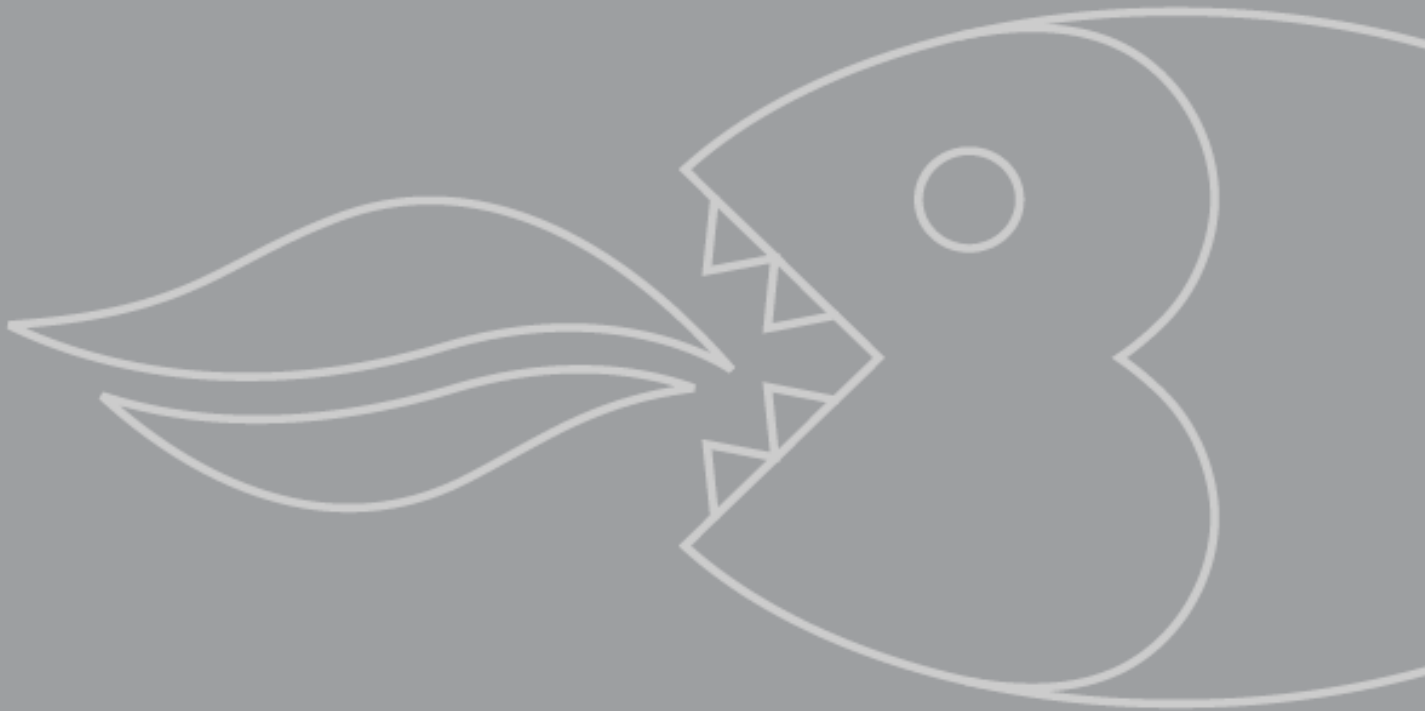


**BBQ340SS Front
control barbeque grill**

INSTRUCTION MANUAL



User Manual for your Baumatic

BBQ340SS

30 cm Front control domino barbeque grill
hob



NOTE: This User Instruction Manual contains important information, including safety & installation points, which will enable you to get the most out of your appliance. Please keep it in a safe place so that it is easily available for future reference; for you or any person not familiar with the operation of the appliance.

GS 27/06/11

Contents

Environmental note	4
Important safety information	5 – 8
Specifications	8 - 9
Product and aperture dimensions	8
Product specifications	8
Electrical details	8
Barbeque hob surface layout	9
Using the barbeque grill hob	10
Before first use	10
Turning on the grill and setting a power level	10
Using lava rock	10
Hob guidelines	10
Cleaning and maintenance	11
Cleaning the barbeque hob top	11
After each use	11
Cleaning the control panel	11
Cleaning the glass surface and aluminium bands	11
Installation	12-17
Positioning	12
Unpacking the appliance	12
Installing the appliance	13-15
Electrical connection	16
Replacing the mains supply cable	16-17
My appliance isn't working correctly	17
Contact details	18

This appliance is marked according to the European directive 2002/96/EC on Waste electrical and Electronic Equipment (WEEE). By ensuring this product is disposed of correctly, you will help prevent potential negative consequences for the environment and human health, which could otherwise be caused by inappropriate waste handling of this product.

The symbol  on the product, or on the documents accompanying the product, indicates that this appliance may not be treated as household waste. Instead it shall be handed over to the applicable collection point for the recycling of electrical and electronic equipment.

Disposal must be carried out in accordance with local environmental regulations for waste disposal.

For more detailed information about treatment, recovery and recycling of this product, please contact your local city office, your household waste disposal service or the shop where you purchased the product.



- The packaging materials that Baumatic uses are environmentally friendly and can be recycled.
- Please discard all packaging material with due regard for the environment.

Important safety information



Your safety is of the utmost importance to Baumatic. Please make sure that you read this instruction booklet **before** attempting to install or use the appliance. If you are unsure of any of the information contained in this booklet, please contact the Baumatic Technical Department.

General Information

- This appliance is designed for domestic household use and for the grilling and barbecuing of domestic foods.
- **IMPORTANT:** *The adjacent furniture and all materials used in the installation **must** be able to withstand a minimum temperature of 85°C above the ambient temperature of the room it is located in, whilst in use.*
- Certain types of vinyl or laminate kitchen furniture are particularly prone to heat damage or discolouration at temperatures below the guidelines given above.
- Any damage caused by the appliance being installed in contravention of this temperature limit, **will be the liability of the owner.**
- Your new appliance is guaranteed against electrical or mechanical defects, subject to certain exclusions that are noted in Baumatic's Conditions Of Guarantee. The foregoing does not affect your statutory rights.
- The use of this appliance for any other purpose or in any other environment without the express agreement of Baumatic Ltd. will invalidate any warranty or liability claim.
- You should not use this appliance to store items on or as a work surface.
- No modifications to the appliance are permitted by Baumatic Ltd.
- You should not store or place flammable or highly flammable liquids/materials on top of or near the appliance. Items made from aluminium, plastic or plastic film should also be kept away from the appliance, as they may fuse to the surface.
- **Repairs may only be carried out by Baumatic Service Engineers or their authorised service agent.**

Child Safety

- Baumatic strongly recommend that babies and young children are prevented from being near to the appliance and should not be allowed to touch the appliance ***at any time.***
- If it is necessary for younger family members to be in the kitchen, please ensure that they are kept under close supervision at all times.
- Older children should only be allowed to utilise the appliance when supervised.

General Safety

- ✓ The appliance should only be installed and connected by a suitably qualified person.
- ✓ Care should be taken to ensure that the units and work surfaces that you build the appliance into, meet with the relevant standards.
- ✓ If you notice any scratches, splits or cracks in the grill surface, you should immediately switch off the appliance and disconnect it from your mains supply. Otherwise there is the risk of electric shock occurring.

During use

- ✓ Any film or stickers that are present on the surface when it is delivered should be removed before use.
- ✓ Care should be taken when utilising the appliance, otherwise there is a risk of burns being caused.
- You should not allow the electrical connection cables to come into contact with the hob surface when it is hot or any hot cookware.
- If fat and oil overheats, then it can ignite extremely quickly. For this reason, when cooking with fat and oil the appliance should not be left unattended.
- ✓ Make sure that the grill is switched off after use.

Cleaning

- Cleaning of the hob should be carried out on a regular basis.
- **IMPORTANT:** *Before attempting to clean the appliance, it should be disconnected from the mains and allowed to cool.*
- Great care should be taken whilst using this appliance and when following the cleaning procedure.
- You should not use a steam jet or any other high pressure cleaning equipment to clean the appliance.

Installation



This appliance must be correctly installed by a suitably qualified person, strictly in accordance with the manufacturer's instructions. Please see the specific section of this booklet that refers to installation.

Baumatic Ltd. declines any responsibility for injury or damage, to person or property, as a result of improper use or incorrect installation of this appliance.

Declaration of conformity

This appliance complies with the following European Directives:

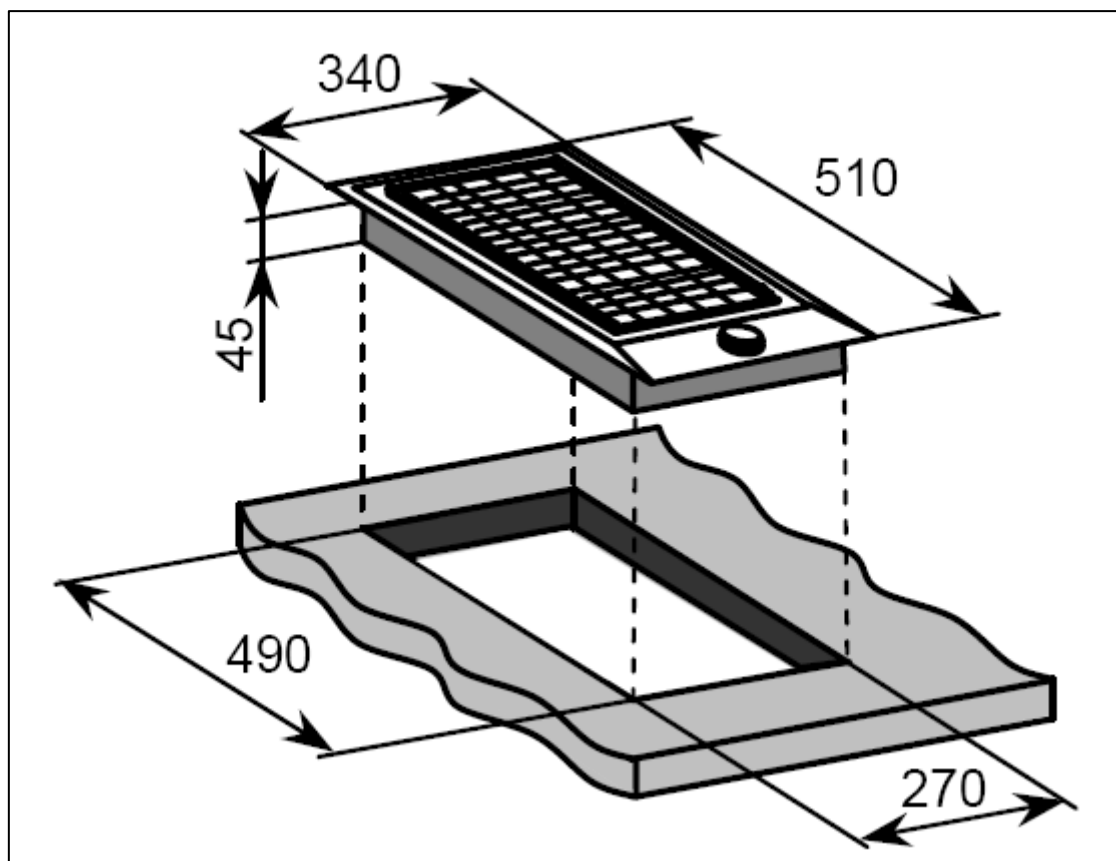
- 2006/95/CE General regulations / Low tension
 - 1935/2004/CE 90/128/EEC This appliance is suitable to come in contact with food
 - 2004/108/CE Electromagnetic compatibility
- The manufacturer declares that the hob is built using certified materials and requires the appliance to be installed in accordance with the standards currently in force. This appliance must be used by a trained person for domestic purposes only.

To avoid damaging your appliance

- The grill surface can be damaged by objects falling onto it.
- The aluminium hob edge and glass surface can be damaged by knocks from cookware or hard, sharp objects.
- Food or liquid that has high sugar content may damage the hob top, if it comes into contact with the hob surface. Any spillages

should be wiped up immediately, however this may not prevent the hob surface from becoming damaged.

Specifications



Product dimensions

Depth: 510 mm
Width: 340 mm
Height: 45 mm

Aperture dimensions

Depth: 490 mm
Width: 270 mm

Product specifications:

- 1 x 2.40 kW Lavastone grill
- Front control
- Glass surface with aluminium side bands

Electrical details

Rated Voltage:

220 - 240 Vac 50 - 60 Hz

Supply Connection:

13 A (double pole switched fused outlet with 3mm contact gap)

Max Rated Inputs:

2.40 kW

Mains Supply Lead:

3 core x 1.5 mm² (not supplied)

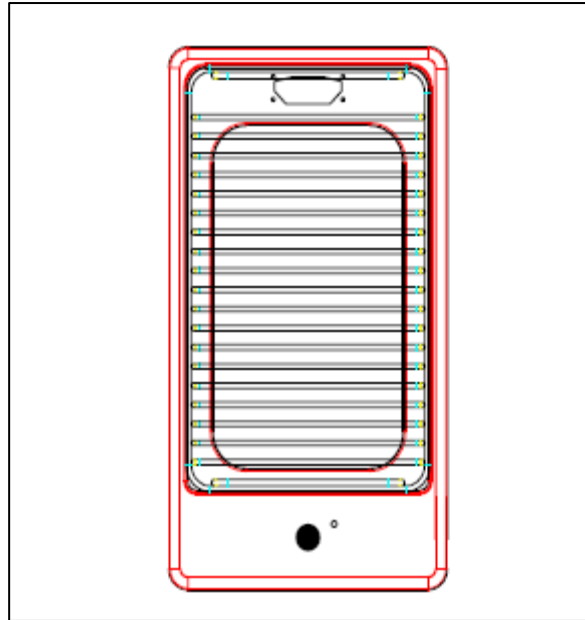
For future reference please record the following information which can be found on the rating plate and the date of purchase which can be found on your sales invoice. The rating plate of your hob is located on the underneath of the appliance. Therefore it is a good idea to record this information before you install your appliance.

Model Number

Serial Number

Date of Purchase

Barbeque hob surface layout



Using the barbeque grill hob

Before first use



IMPORTANT: You should clean the hob surface (see “Cleaning and maintenance” section).

- Before using the grid, it is advisable to check that it is firmly positioned and correctly placed on the hob.
- **Always check that the rubber pads it rests on are intact and properly placed.**

Turning on the barbeque grill and setting a power level



- To turn on the element, rotate the dial clockwise to set a relevant thermostat. The settings range from 1 – 10.
- The LED turns on to show that the element is in operation.
- To turn the hob off, set the dial to the “0” setting.

Using lava rock

- Place the rock inside the tray provided and dispose of the bag.
- Once it is in place, turn on the heating element.

Hob guidelines

- The first few times the hob top is used, it may give off an acrid, burning smell. This smell will disappear completely with repeated use.
- **IMPORTANT:** The barbeque hob surface is tough; however it is not unbreakable and can be damaged. Especially if pointed or hard objects are allowed to fall on it with some force.
- **DO NOT USE THE HOB IF THE SURFACE BECOMES BROKEN OR CRACKED. YOU SHOULD CONTACT THE BAUMATIC SERVICE DEPARTMENT IMMEDIATELY.**



Cleaning operations must only be carried out when the oven is cool.

The appliance should be disconnected from your mains supply before commencing any cleaning process.

Cleaning the barbeque hob top



Any residues that are left on the hob top surface from cleaning agents **will** damage it. You should remove any residues with water and a little washing up liquid.



Abrasive cleaners or sharp objects will damage the hob surface; you should clean it using water and a little washing up liquid.



Although it is easier to clean some deposits whilst the hob surface is still warm. You should take care not to burn yourself if cleaning the hob surface when it is still warm.

- ***BEFORE FIRST USE: Heat the element for a few minutes to burn off any residues left on it during the manufacturing process.***

After each use

- Wipe the appliance over with a damp cloth.
- Dry the appliance by rubbing the surface with a clean cloth.

Cleaning the control panel

- Only use warm water with a mild detergent and dry with a clean, dry cloth.

Cleaning the glass surface and aluminium bands

- Clean with a soft cloth using warm water and a mild detergent. Dry with a clean, dry cloth.

Installation



The installation must be carried out by a suitably qualified person, in accordance with the current version of the following.

- *UK Regulations and Safety Standards or their European Norm Replacements.*
- *Building Regulations* (issued by the Department of the Environment).
- *Building Standards* (issued by the Scottish Development Department).
- *IEE Wiring Regulations.*
- *Electricity At Work Regulations.*

Positioning



The adjacent furniture must be able to withstand a minimum temperature rise of 85°C above the ambient temperature of the room it is located in, during periods of use.

This appliance is classified as Class 3 and therefore is to be built into a kitchen unit (depending on size) or 600 mm worktop, providing the following minimum distances are allowed:

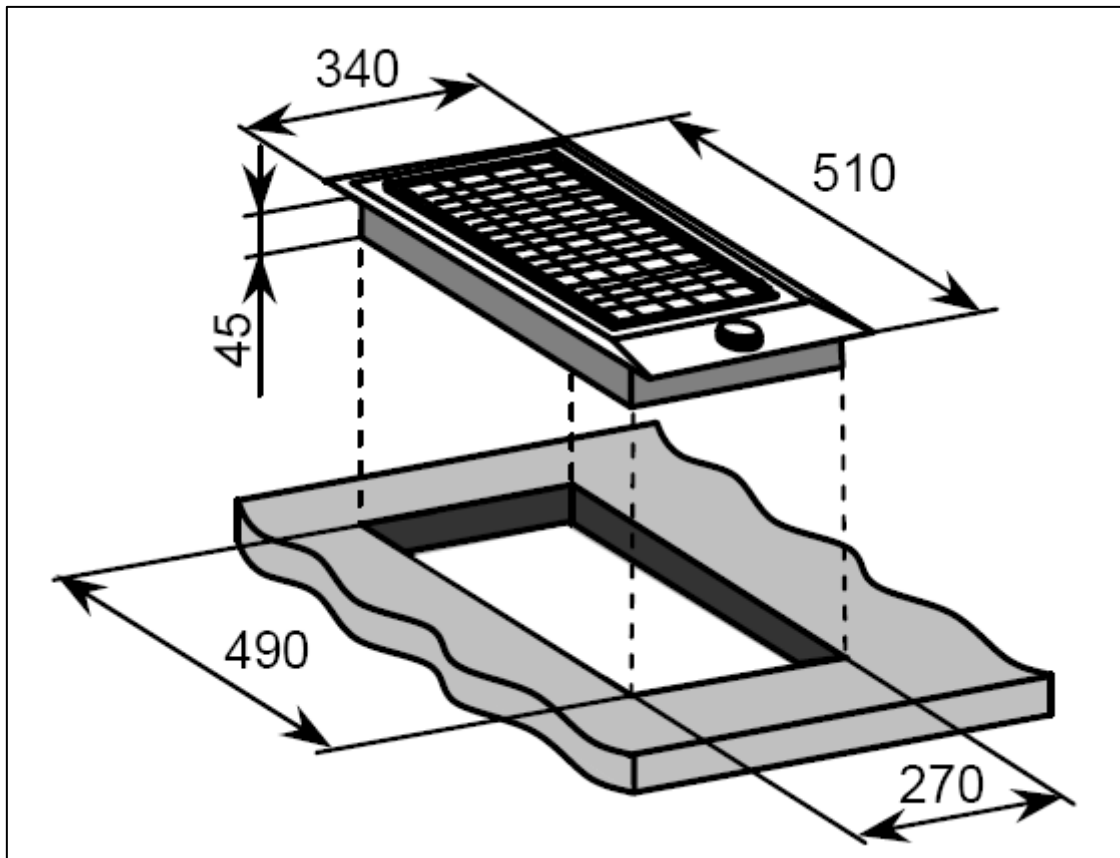
- 700 mm between the hob surface and the underside of any horizontal surface above it.
- 50 mm clearance around the appliance and between the hob surface and any combustible materials.

Unpacking the appliance

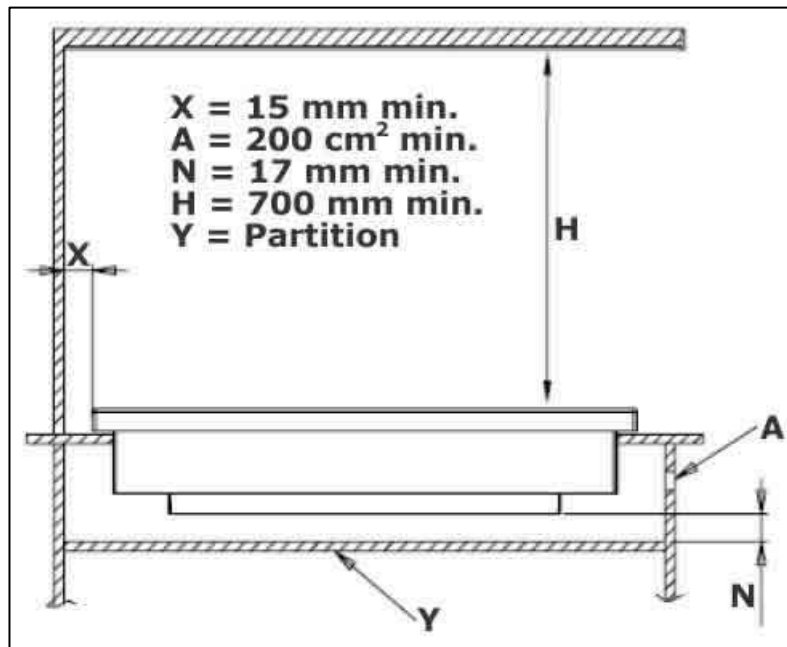
When unpacking the appliance please check that the following items are contained within the packaging:

- 1 Baumatic hob
- 1 Installation and instruction manual
- 1 Baumatic guarantee card
- 4 Fixing brackets
- 4 Fixing screws

Installing the appliance



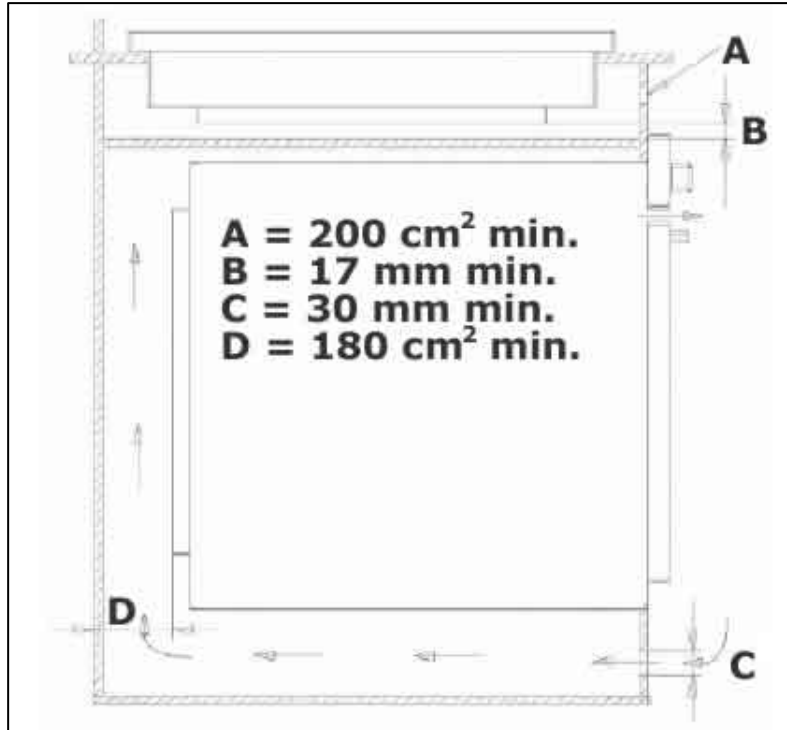
- Cut a hole in the worktop that corresponds with the drawing shown above.



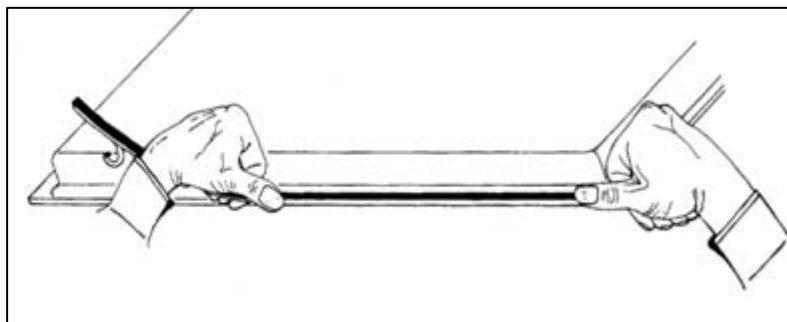
- **IMPORTANT:** Underneath the appliance there must be a partition made of insulating material (e.g. wood). There must be

a gap of at least 17 mm between the underneath of the appliance and this partition.

- **IMPORTANT:** You must make sure that there is a 5mm gap below the underneath of the worktop at the front edge of the hob for ventilation purposes. The ventilation gap at the rear of the cupboard underneath the hob should also be observed (as shown in the pictures).

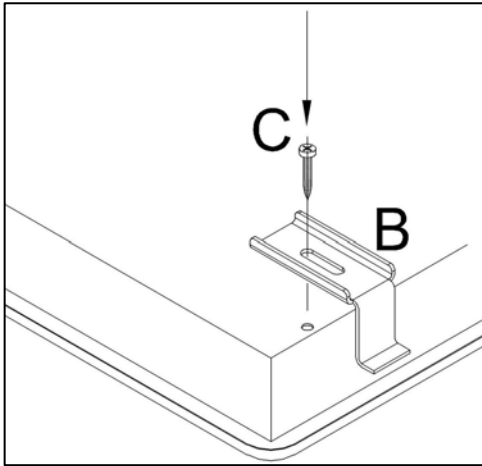


- Carefully turn the hob upside down and place it on a cushioned mat.

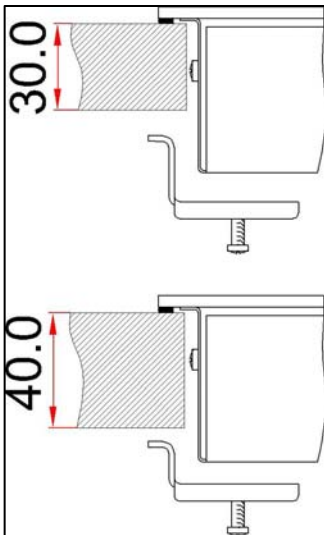


- Apply the sealing strip provided around the edge of the appliance.
- The protective covering must be removed from both sides.
- Do not leave a gap in the sealing agent or overlap the thickness.

- **IMPORTANT:** Do not use a silicon sealant to seal the appliance against the aperture. This will make it difficult to remove the hob from the aperture in future, particularly if it needs to be serviced.

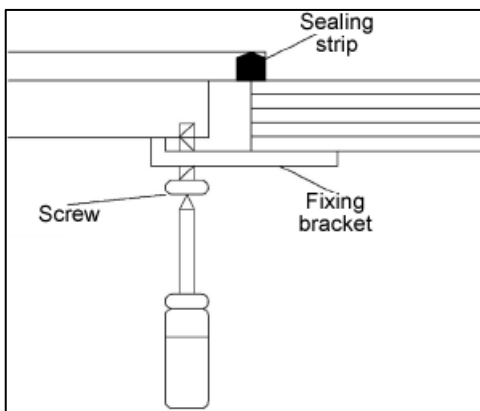


- (B) Fixing bracket
- (C) Screw



- Use the fixing bracket that is appropriate for your thickness of worktop.

- Place a fixing bracket (B) over the hole in each corner of the underneath of the hob. Then place a screw (C) through the hole and fixing bracket (B). Tighten the screws partially, so that the fixing brackets stay in place. **IMPORTANT:** Do not tighten the screws fully.



- Carefully turn the hob back over and then gently lower it into the aperture hole that you have cut out.
- On the underneath of the hob, locate the fixing brackets (B) and turn them so that they locate on

the underneath of the worktop and the hob.

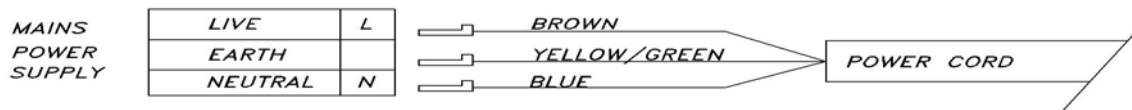
- Fully tighten the screws **(C)** to secure the hob into position.

Electrical connection

Before connecting the appliance, make sure that the supply voltage marked on the rating plate corresponds with your mains supply voltage.

WARNING: THIS APPLIANCE MUST BE EARTHED.

- ***This appliance should be wired into a 13 A double pole switched fused spur outlet, having 3 mm contact separation and placed in an easily accessible position adjacent to the appliance. The spur outlet must still be accessible even when your hob is located in its housing.***



- If you have to change the hob power cord, the earthing (yellow/green) conductor must always be 10 mm longer than the line conductors.
- Care must be taken to ensure that the temperature of the mains supply cable does not exceed 50°C.
- If the mains supply cable is damaged, then it must be replaced by an appropriate replacement.
- Cable type: H05 RRF 3 core x 1.5 mm²

Replacing the mains supply cable

If the mains supply cable is damaged, then it must be replaced by an appropriate replacement.

The mains supply cable should be replaced in accordance with the following instructions:

- ***Switch the appliance off at the control switch.***
- Open the terminal block on the underside of the hob.
- Unscrew the terminal screws fixing the cable.
- Replace the cable with one of the same length and specification.

- The “green-yellow” earth wire must be connected to the terminal marked \perp . It must be about 10 mm longer than the live and neutral wires.
- The “blue” neutral wire must be connected to the terminal marked with letter the (N) - the live wire must be connected to the terminal marked with the letter (L).

My appliance isn't working correctly



IMPORTANT: If your appliance appears not to be operating correctly, then you should disconnect it from your mains supply and then contact the Baumatic Service Department on telephone number (0118) 933 6911.

DO NOT ATTEMPT TO REPAIR THE APPLIANCE YOURSELF.

Please note that if an engineer is asked to attend whilst the product is under guarantee and finds that the problem is not the result of an appliance fault, then you may be liable for the cost of the call out charge.

The appliance must be accessible for the engineer to perform any necessary repair. If your appliance is installed in such a way that an engineer is concerned that damage will be caused to the appliance or your kitchen, then he will not complete a repair.

This includes situations where appliances have been tiled in, sealed in with sealant, have wooden obstructions placed in front of the appliance, like plinths. Or any installation other than the one specified by Baumatic Ltd. has been completed.

Please refer to the conditions of guarantee that appear on the warranty card that you receive with the appliance.



United Kingdom

Baumatic Ltd.,
Baumatic Buildings,
6 Bennet Road,
Reading, Berkshire
RG2 0QX
United Kingdom

Sales Telephone

(0118) 933 6900

Sales Fax

(0118) 931 0035

Customer Care Telephone

(0118) 933 6911

Customer Care Fax

(0118) 986 9124

Spares Telephone

(01235) 437244

Advice Line Telephone

(0118) 933 6933

E-mail:

sales@baumatic.co.uk
customercare@baumatic.co.uk
spares@baumatic.co.uk
technical@baumatic.co.uk

Website:

www.baumatic.co.uk

Republic of Ireland

Service Telephone

1-890 812 724

Spares Telephone

091 756 771

Czech Republic

Baumatic CR spol s.r.o.
Lípová 665
460 01 Liberec 4
Czech Republic

+420 483 577 200

www.baumatic.cz

Slovakia

Baumatic Slovakia, s.r.o.
Galvániho 7/D
Slovakia

+421 255 640 618

Germany

Baumatic Gmbh
Lilienthalstrasse 1
320 52 Herford
Deutschland

+49 5221 694 99-0

www.baumatic.de

Italy

Baumatic Italia S.R.L.
Via Galvani N.3
35011 Campodarsego (PD)

+3904 9920 2297

www.baumatic.it

Holland

Baumatic Benelux B.V.
Grindzuigerstraat 22
1333 MS ALMERE
Nederland

+3136 549 1555

www.baumatic.nl

