

BR23.8A
Combi
fridge/freezer

INSTRUCTION MANUAL





BR23.8A Combi fridge/freezer



NOTE: This User Instruction Manual contains important information, including safety & installation points, which will enable you to get the most out of your appliance. Please keep it in a safe place so that it is easily available for future reference, for you or any person not familiar with the operation of the appliance.


Contents

Environmental note	4
Important safety information	5–6
Specifications of your combi fridge freezer	7-9
Description of your appliance	8
Description of the product features	9
Using your Baumatic combi fridge freezer	10-12
Before switching on	10
During first use	10
Turning on the appliance and setting the thermostat	11
Control panel	12
Arranging and storing food in the fridge section	12-13
The  freezer compartment	13-16
Freezing fresh food	14
Tips on freezing	15
Making ice cubes	15
Freezing with Super Freeze	15-16
Cleaning and maintenance	16-19
Defrosting the refrigerator compartment	17
Defrosting the  freezer compartment	17-19
Replacing the light bulb	19
Installation	20-28
Electrical connection	20
Positioning	21
Ventilation requirements	21
Aperture and appliance dimensions	22
Supplied installation components	23
Installing your fridge freezer	23-27
Reversing the door of your appliance	27-28
Troubleshooting	28-29
Baumatic consumables	30
Technical data	31
Contact details	32

Environmental note

Note: Before discarding an old appliance, switch off and disconnect it from the power supply. Cut off and render any plug useless. Cut the cable off directly behind the appliance to prevent misuse. This should be undertaken by a competent person. Disable the door lock to make sure that children cannot get stuck inside the appliance.

This appliance is marked according to the European directive 2002/96/EC on Waste electrical and Electronic Equipment (WEEE). By ensuring this product is disposed of correctly, you will help prevent potential negative consequences for the environment and human health, which could otherwise be caused by inappropriate waste handling of this product.

The symbol  on the product, or on the documents accompanying the product, indicates that this appliance may not be treated as household waste. Instead it shall be handed over to the applicable collection point for the recycling of electrical and electronic equipment.

Disposal must be carried out in accordance with local environmental regulations for waste disposal.

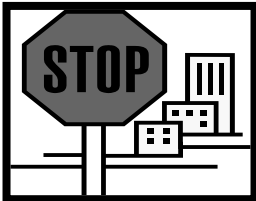
For more detailed information about treatment, recovery and recycling of this product, please contact your local city office, your household waste disposal service or the shop where you purchased the product.



Important safety information



Your safety is of the utmost importance to Baumatic. Please make sure that you read this instruction booklet **before** attempting to install or use the appliance. If you are unsure of any of the information contained in this booklet, please contact the Baumatic Customer Care Department.



IMPORTANT: Any installation work must be carried out by a qualified electrician or competent person.

Use of the appliance

- Your appliance is only designed to be used in the home. It is suitable for storing food that needs to be chilled and refrigerated. If it is used for any other purpose or it is not used correctly, then Baumatic Ltd. will accept no liability for any damage that may be caused.



- Altering the specification of the appliance must not be attempted for reasons of safety.

Before using your appliance

- Check the appliance for any signs of transport damage. If you notice any damage, then you should not connect your appliance to your mains supply and should contact your retailer.

Refrigerant

- Your appliance contains R600a refrigerant, which is a natural gas that does not contain CFCs that can damage the environment. However it is a flammable substance, therefore care should be taken:
 - During the transportation and installation of the appliance, make sure that the refrigeration pipe work does not get damaged.
 - If it does become damaged then sources of ignition and open flames should be avoided. Also the room that the appliance is situated in should be thoroughly ventilated.

- Do not place any objects on top of the appliance, as this may damage the table top.



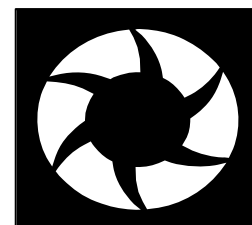
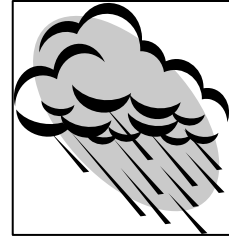
Child safety

- Packaging material should be kept away from children.
- Children should not be allowed to touch the controls or play with the appliance.



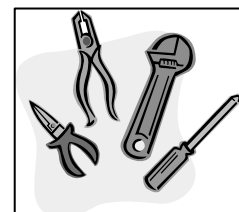
General safety

- Do not pull on the power supply cable to remove the plug from your mains supply socket.
- Do not pull out or insert the plug with wet hands.
- Do not attempt to use your appliance outdoors or any place where it is likely to come into contact with the elements.
- Before cleaning the appliance or performing maintenance work, ensure that the appliance has been disconnected from your mains supply.
- Never allow the back coils of the appliance to come into contact with the wall surface.
- Always ensure that the location where you are installing your appliance is free of stored items such as papers and other flammable materials.
- Never block the ventilation openings of the appliance, either on the inside or its exterior.
- It is vital to keep your appliance well ventilated, so that there is proper air flow between the bottom of the unit and the plinth/kick plate which it is sitting on.
- Do not place electrical devices inside of the appliance, such as mixers and electric ice cream makers.



Service

You should not attempt to repair the appliance yourself, as this could cause injury or a more serious malfunction. If you require a service call then please contact the Baumatic Customer Care Department.



Specifications of your combi fridge freezer

- Total gross / net capacity: 276 / 264 litres
- Gross capacity fridge / freezer: 192 / 84 litres
- Net capacity fridge / freezer: 189 / 75 litres
- Freezing capacity: 5 kg / 24 hours
- Automatic defrost (fridge section only)
- Adjustable thermostat
- Fast freeze switch
- Temperature rise warning light
- Egg rack
- Butter compartment
- Bottle rack
- 2 General racks
- 3 Safety glass shelves
- 2 salad crispers
- 2 Freezer drawers
- 1 Freezer flap
- Reversible doors

Dimensions of appliance

Height: 1770 mm
Width: 540 mm
Depth: 545 mm

Dimensions of aperture*

Height: 1770 mm – 1790 mm
Width: 560 mm – 570 mm
Depth: 550 mm

Energy efficiency class

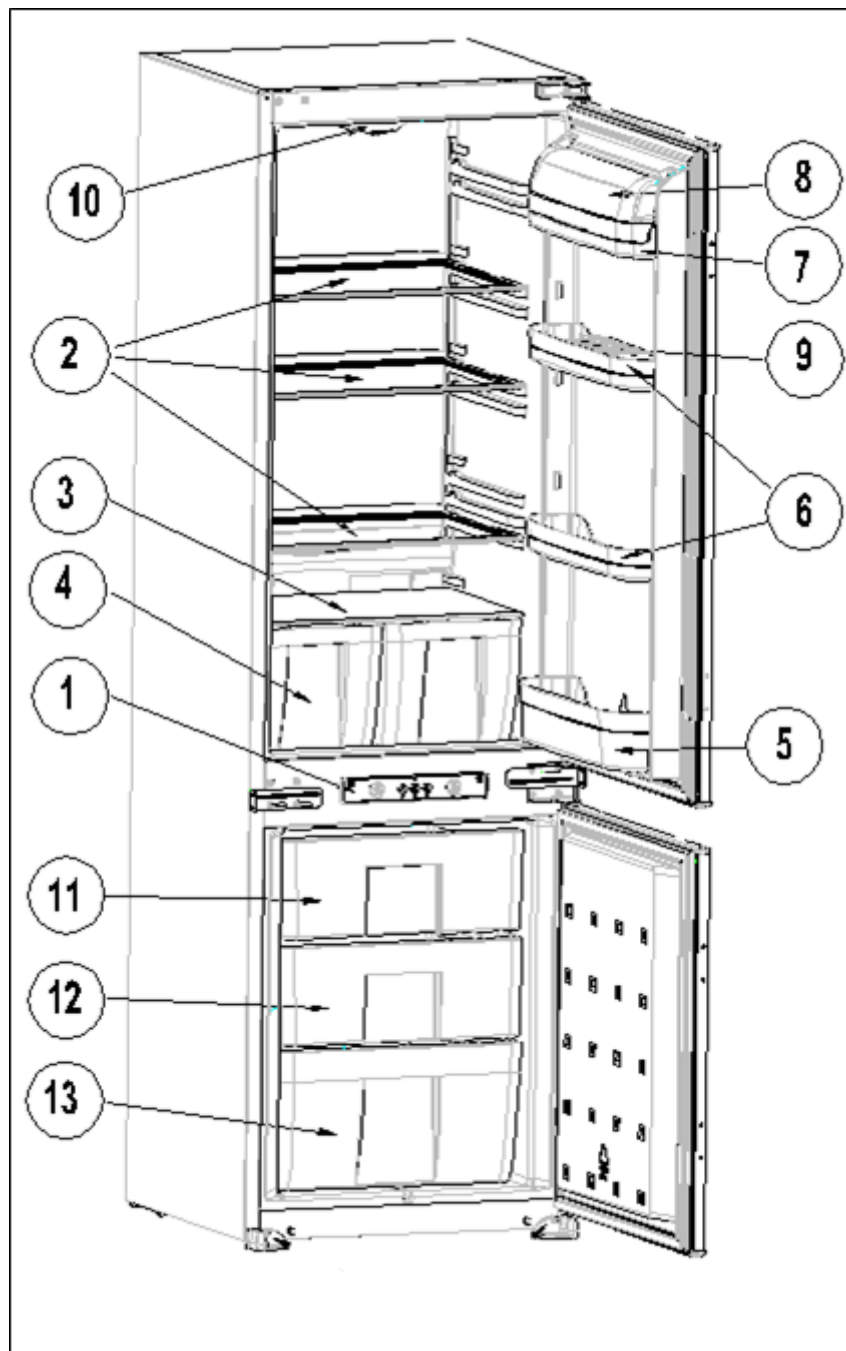
Energy class: A

* Please refer to the installation instructions for more specific information on the size of aperture that you will require.

IMPORTANT: When you install your appliance it is important to bear in mind its climatic rating.

In order to find out the climatic rating of your appliance, you should check the rating plate. The rating plate is located on the front left edge of the inside of the fridge section. You will need to open the door of your appliance to be able to find it. The rating plate will indicate the ambient temperature range that your appliance will function correctly within.

Description of the appliance



- | | |
|-----------------------|---------------------------------------|
| 1. Control Panel | 10. Refrigerator lamp and cover |
| 2. Refrigerator shelf | 11. Freezer flap |
| 3. Crisper cover | 12. Freezer compartment drawer |
| 4. Crisper | 13. Freezer compartment bottom drawer |
| 5. Bottle shelf | |
| 6. Middle shelves | |
| 7. Butter shelf | |
| 8. Butter shelf cover | |
| 9. Egg shelf | |

Description of the product features

1) Shelves

- The shelves may be placed in any of the guide slots within the interior of the appliance. They are protected from sliding out.
- To remove a shelf: Take off all of the items that are stored on the shelf that you want to remove. Then lift the front of the shelf and carefully pull it out of the grooves.

2) Defrost water outlet

- The interior of the refrigerator is cooled by the cooling plate that is on the rear wall. Beneath this there is a channel and an outlet for the defrost water.
- It is important that this channel never becomes clogged (see "Defrosting the refrigerator compartment" for a detailed explanation of how to keep the channel clear).

3) Crisper drawers and cover

- The crisper drawers are in the bottom of your refrigerator and there is a cover that goes over them.
- The cover helps to prevent fruit and vegetables from drying out prematurely.

4) Upper door shelves

- The door liner holds various shelves, which are suitable for storing eggs, cheese, butter and yogurt. As well as smaller packages, tubes, cans etc.

5) Bottle shelf

- The lower shelf should be used for storing reasonably sized bottles.
- ***IMPORTANT: IT IS IMPORTANT THAT NONE OF THE SHELVES THAT SIT IN THE DOOR ARE OVERLOADED, AS THIS WILL DRASTICALLY REDUCE THEIR WORKING LIFE.***

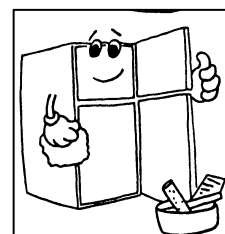
6) Freezer compartment

- A  freezer section, with a net capacity of 75 litres.

Using your Baumatic combi fridge freezer

Before switching on

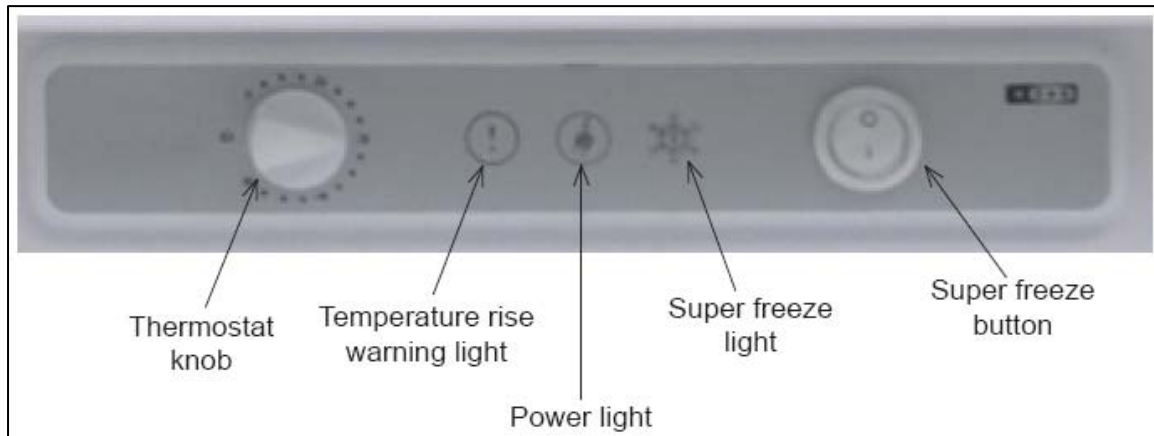
- Make sure that it has been installed by a suitably qualified person, as per the information contained in Baumatic's installation instructions.
- After delivery, wait for eight hours before connecting the appliance to your mains supply. This will allow any refrigerant gasses that may have been disturbed during the transportation process to settle.
- The outside of the appliance and the removable accessories contained within it, should be cleaned with a solution of liquid detergent and water.
- The interior of the appliance should be cleaned with a solution of sodium bicarbonate dissolved in lukewarm water. The interior and accessories should be thoroughly dried, after the cleaning process has been completed.
- There can be an odour when you first switch on the appliance. It will lessen as the appliance starts to cool.



During first use

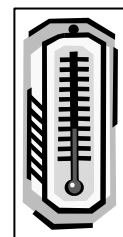
- When you first switch on the appliance, the compressor will run continuously for approximately 24 hours or until the fridge freezer reaches a cool enough temperature.
- During this period of time, you should try not to open the door frequently or place a large amount of food within the appliance.
- If the unit is switched off or unplugged, you must allow at least 5 minutes before restarting the appliance on the thermostat or connecting it to your mains supply.

Turning on the appliance and setting the thermostat



You switch on your appliance by connecting it to your mains supply and setting the thermostat. The thermostat is located on the control panel, which can be found between the fridge and freezer sections.

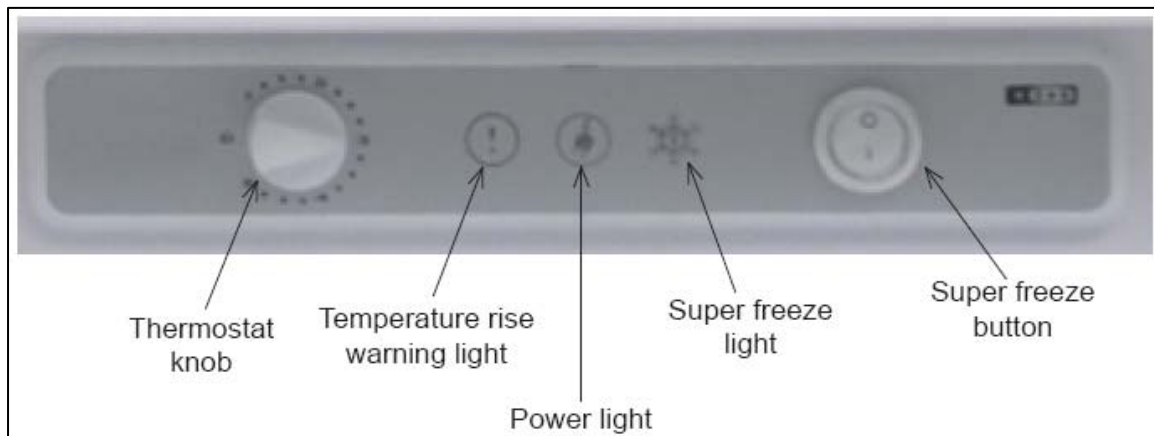
- The thermostat automatically regulates the temperature inside the refrigerator, depending on what number you have turned the thermostat control knob to.
- Position <0> means that the appliance will not cool. However the light will still function.
- Position <1> will give you a higher temperature inside the fridge freezer
- Position <5> will give you a lower temperature inside the fridge freezer.
- Ideally the thermostat should be set to a position between <3> to <4>.
- Your refrigerator can maintain a temperature of between 4 – 6 degrees centigrade.
- The freezer section can cool down to -18 degrees centigrade and lower.
- **IMPORTANT:** *The ambient temperature of the room, the temperature of food and the amount of food that has been placed in the appliance and how often the door is opened, will all affect the temperature being maintained by the appliance.*



- On the maximum setting (position <5>), your fridge freezer will work harder to maintain a lower temperature and will increase the energy usage. There is no need to run your appliance on this

setting for prolonged periods. Unless you are freezing fresh food, you should have the thermostat set to position <3> or <4>.

Control panel



- **Super freeze light**- will light up when the super freeze button has been turned on.
- **Power light**- will light up as soon as the appliance is connected to your mains supply.
- **Temperature rise warning light**- will light up when the appliance detects a rise in temperature that could affect the contents of your fridge freezer.

Arranging and storing food in the fridge section

- Warm food or evaporating liquids should not be stored in your refrigerator, as this will increase the humidity inside of the appliance.
- All foods should be wrapped or covered, this is particularly important if the food has a strong flavour. You should use polythene bags or sheets, aluminium foil, wax paper. Liquids should be stored in covered containers or bottles.
- To maximise the space inside of the fridge section, any excessive packaging on the food should be removed.
- Quickly perishable food should be stored at the back of the refrigerator, which is the coldest part of the appliance.
- No food items should be allowed to come into contact with the back wall of the refrigerator.
- Make sure that you arrange food in such a way that the door can close completely. Particular attention should be given to bottles

- that may protrude when placed on shelves inside the main section of the refrigerator.
- Some organic solutions, such as the oils in lemon/orange peel and acid in butter, can cause damage to the plastic parts contained inside of the refrigerator.
 - Do not open the refrigerator door too often or leave the door open for long periods of time, as this will increase the temperature inside of the appliance and will increase the energy usage.
 - **Meat** should be wrapped in polythene bags and then placed on the glass shelf above the salad drawers.
(Meat should only be stored in this manner for one or two days at the most).
 - **Cold dishes/cooked food** should be covered and can be placed on any shelf.
 - **Fruit and vegetables** should be cleaned thoroughly and placed in the salad drawers.
 - **Cheese and butter** should be placed in airtight containers, or they can be wrapped in aluminium foil or polythene bags. As much air as possible should be removed from the bags.
 - **Milk bottles** should have a cap on them and be stored on the bottle shelf that sits in the door.
 - **Garlic, potatoes, onions and bananas should only be stored in a refrigerator IF they are stored in airtight containers.**

The freezer compartment

The freezer compartment is suitable for storing and freezing food.

- The freezer compartment temperature must have already reached -18 degrees centigrade (or lower) before you attempt to store food that is already frozen or freezing fresh food.
- The freezer compartment is only able to freeze a certain quantity of food at one time. You should not attempt to freeze more than 7 kilograms of fresh food within a 24 hour period.
- Preferably the top drawer should be used when freezing fresh food. Once the food is frozen, you can then transfer the food to the lower drawers.

- Warm food should be allowed to cool down before you attempt to freeze it. If you place warm food in the freezer compartment, then the increased humidity will cause quicker ice formation and increase the amount of power that the appliance uses.
- The guidance of the food manufacturer should be followed, in regard to the maximum storage time.
- Thawed foods must not be frozen for a second time.

Freezing fresh food



- To freeze the maximum quantity of fresh food specified above, you should follow the "Freezing with Super Freeze" section on page 15, 24 hours prior to attempting freezing.

- For smaller quantities of fresh food, you should follow the "Freezing with Super Freeze" section on page 15, approximately 6 hours prior to attempting freezing.
- Fresh food should be packed into airtight containers or packaging. This will help to make sure that the food doesn't dry out or lose its flavour. It will also ensure that flavour does not transfer from other foods.

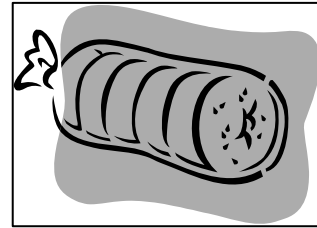


- The food should be placed on the freezer compartment's base. Do not allow fresh food to touch items that are already frozen.

- After 24 hours you should check that the fresh food is satisfactorily frozen. If it is then the Super Freeze setting should be switched off by pressing the Super Freeze button again. The Super Freeze light will go out.

Tips on freezing

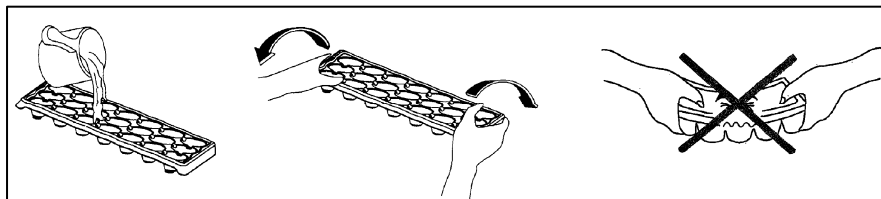
- Freezer bags, polythene wraps, aluminium foil (extra thick) and special cans for frozen foods are suitable packaging for storing frozen goods in.
- Tape, rubber bands or plastic clips are suitable for sealing bags and wrappings.
- Before sealing a suitable bag, you should compress the air out of it, as this will help the food to freeze more easily.
- Flat packages freeze more easily.



- If you are freezing liquid, then do not fill the container to the brim. Liquids will expand when being frozen.
- ***Do not place bottles (glass or tin) containing liquids (especially sparkling liquids) into the freezer as they could cause the bottle to burst during freezing.***

Making ice cubes

- Fill the ice cube tray with water and place it in the freezer compartment.
- After the water is completely frozen and turned to ice, you can twist the ice cube tray (as shown in the drawing below) to dispense the ice.

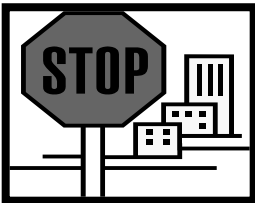


Freezing with Super Freeze

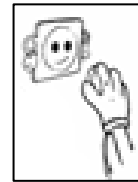
- Press the Super Freeze button and the freezer will start to run continuously at its maximum setting.
- The orange Super Freeze light will come on when the Super Freeze button has been turned on.
- There is no need to adjust the thermostat knob.

- The freezer temperature will decrease and the appliance will get to its lowest temperature.
- Place the food that is to be frozen inside the freezer, preferably in the top drawer.
- Once the food is frozen, you should turn off the Super Freeze setting. **DO NOT TURN OFF THE SUPER FREEZE BUTTON UNTIL THE FOOD IS FULLY FROZEN.**
- The orange Super Freeze light will go out and your appliance will return to normal operation. You can then move the frozen food from the top drawer, into the lower drawers.

Cleaning and maintenance



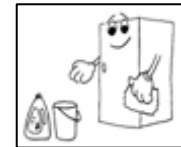
WARNING: PLEASE ENSURE THAT YOUR APPLIANCE IS DISCONNECTED FROM YOUR MAINS SUPPLY BEFORE ATTEMPTING TO CLEAN IT.



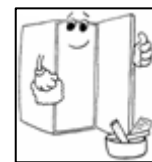
- Do not clean the appliance by pouring water onto it or spraying water over it.



- The refrigerator and freezer compartment should be cleaned periodically, using a solution of bicarbonate of soda and lukewarm water.



- Clean the accessories separately with soap and water. Do not clean them in a dishwasher.

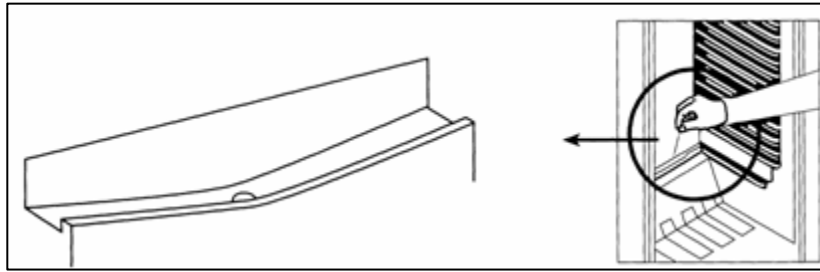


- Do not use abrasive products, detergents or soaps.



- After washing the appliance, wipe over the area that you have cleaned with a damp cloth and then dry it thoroughly.
- When cleaning is complete, dry your hands and then reconnect the plug to your mains supply.

Defrosting the refrigerator compartment



- Defrosting occurs automatically in the refrigerator section during operation. The defrost water is collected by the evaporating tray and evaporates automatically.
- The evaporating tray and defrost water drain hole should be cleaned periodically with the defrost drain plug. This will prevent water from collecting in the bottom of the refrigerator, instead of flowing down the defrost drainage channel and drain hole.
- You can also pour a small amount of water down the drain hole to clean inside of it.
- You should be careful to make sure that food packages do not touch the rear wall of the appliance, as this can interrupt the automatic defrosting process and deflect water into the base of your refrigerator.

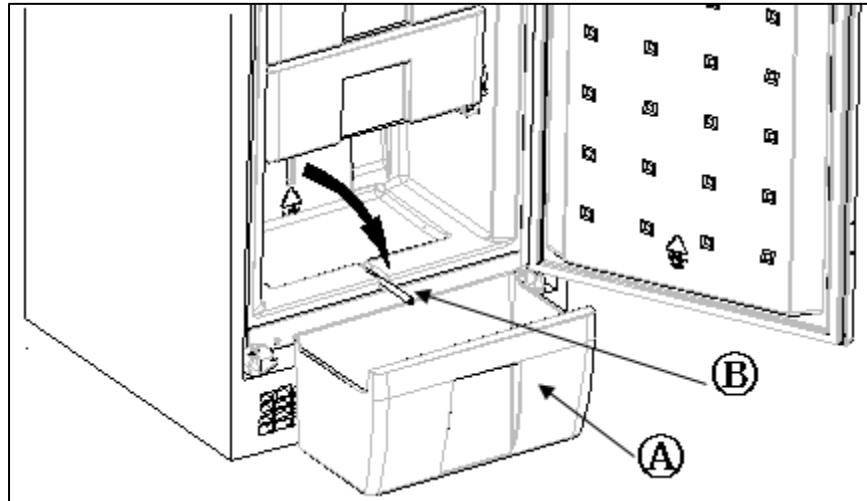
Defrosting the freezer compartment

The frost in the freezer compartment should be removed periodically. You can use a plastic scraper to keep down the amount of frost that builds.

IMPORTANT: *The freezer compartment should be defrosted at least twice a year. The number of times that you need to defrost it, will depend on the setting of your thermostat and how much food you freeze and store in the compartment.*

- The day before you defrost, the “Freezing with Super Freeze” section on page 15 should be followed. This will make sure that the food contained in the compartment is frozen properly.
- Whilst defrosting the appliance, the food should be removed from the compartment and wrapped in several layers of paper and stored in a cool place. The foods rise in temperature will shorten its storage life and therefore the food should be used within a relatively short period of time.

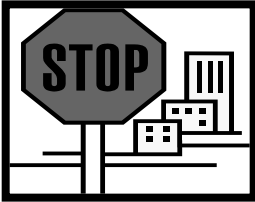
- **DO NOT PLACE FOOD BACK IN THE FREEZER COMPARTMENT THAT HAS STARTED TO THAW.**
- Set the thermostat knob to position <0> and disconnect the appliance from your mains supply.
- Leave the door to the freezer compartment open. You can place a bowl of warm water inside the freezer compartment to speed up the defrost process.



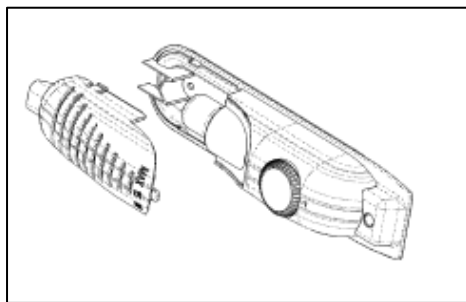
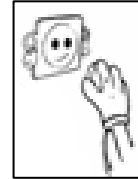
- Your appliance is fitted with a defrost drainage tube. Therefore you should pull out the bottom drawer (A) and place it on the floor in front of the appliance.
- The defrost drainage tube (B) is located on the back wall of the freezer. It should be placed in the groove at the front of the freezer.
- You should check to make sure that the defrost water coming out of the defrost drainage tube, will flow into the bottom drawer that you have placed in front of the appliance.
- Take care to ensure that the bottom drawer does not overflow, the defrost water may need emptying periodically.
- Once all the ice that has built up has melted, then the inside of the freezer compartment should be dried thoroughly. Failure to do this will result in immediate ice build when the appliance is turned back on.
- With dry hands, reconnect your appliance to your mains supply. Set the thermostat knob back between a position of <3> and <4> and make sure that the Super Freeze setting is on. The Super Freeze setting should be left on for a 24 hour period, before switching it off.

- You should not attempt to freeze fresh food inside the freezer compartment until this 24 hour time period has elapsed.
- ***Do not defrost the appliance with other electrical devices (e.g. hair dryer). Do not use sharp metal objects to remove the ice on the freezer, as this could cause damage to the refrigerant system.***

Replacing the light bulb

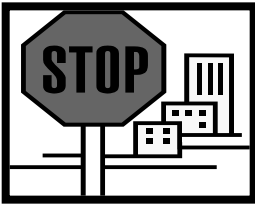


WARNING: PLEASE ENSURE THAT YOUR APPLIANCE IS DISCONNECTED FROM YOUR MAINS SUPPLY BEFORE ATTEMPTING TO REPLACE THE LIGHT BULB.



- There is an interior light in the top of the refrigerator section.
- Press the hooks on the sides of the light cover and slide the cover off.
- Change the present light bulb with a new one. The replacement bulb should not have a greater rating than 15 W.
- Replace the light cover and after waiting five minutes, reconnect your plug to your mains supply.

Installation



IMPORTANT: Before installation and usage, read all the instructions and make sure that the voltage (V) and the frequency (Hz) indicated on the rating plate are exactly the same as the voltage and frequency in your home. The rating plate can be found on the front left edge of the inside of the refrigerator.

The manufacturer declines all responsibility in the event of the installer failing to observe all the accident prevention regulations in force, which are necessary for normal use and the regular operation of the electric system.

Electrical connection



YOUR FRIDGE FREEZER IS INTENDED FOR FITTED AND PERMANENT INSTALLATION.

We recommend that the appliance is connected by a qualified electrician, who is a member of the N.I.C.E.I.C. and who will comply with the I.E.E. and local regulations.

- Your refrigerator comes supplied with a 13 amp plug fitted. If in future you need to change the fuse in this plug, then a 13 amp ASTA approved (BS 1362) fuse **must** be used.
- The wiring in the mains lead is coloured as follows:

Brown	Live
Blue	Neutral
Green and yellow	Earth
- As the colours of the wires in the appliance's mains lead may not correspond with the coloured markings identifying the terminals in your spur box, please proceed as follows:

The **brown wire** must be connected to the terminal marked "L" (live), or coloured **red**.

The **blue wire** must be connected to the terminal marked "N" (neutral), or coloured **black**.

The **green and yellow wire** must be connected to the terminal marked "E" (earth), or by the earth symbol, or coloured **green and yellow**.

- When the connection is completed, no stray strands or cut wire should be present. The cord clamp must be secured over the outer sheath.

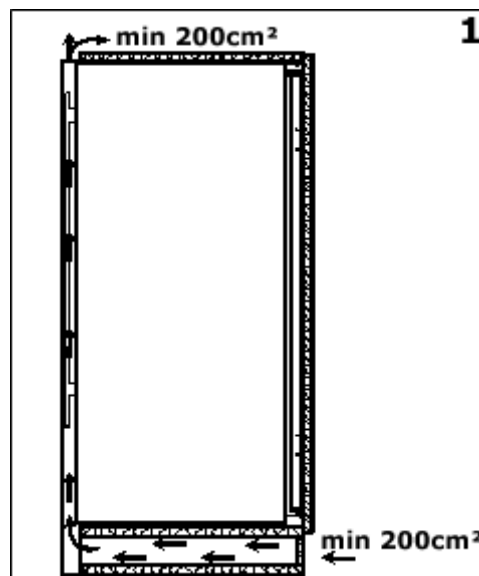
Positioning

- It is advisable that your appliance is only installed in a location where the ambient temperature of the room, corresponds with the climate classification that is stated on the rating plate of your appliance. Your appliance may not function correctly if the ambient temperature falls outside of the following ranges.

<i>Climate classification</i>	<i>Appropriate ambient temperature</i>
SN	+10 to +32 degrees centigrade
N	+16 to +32 degrees centigrade

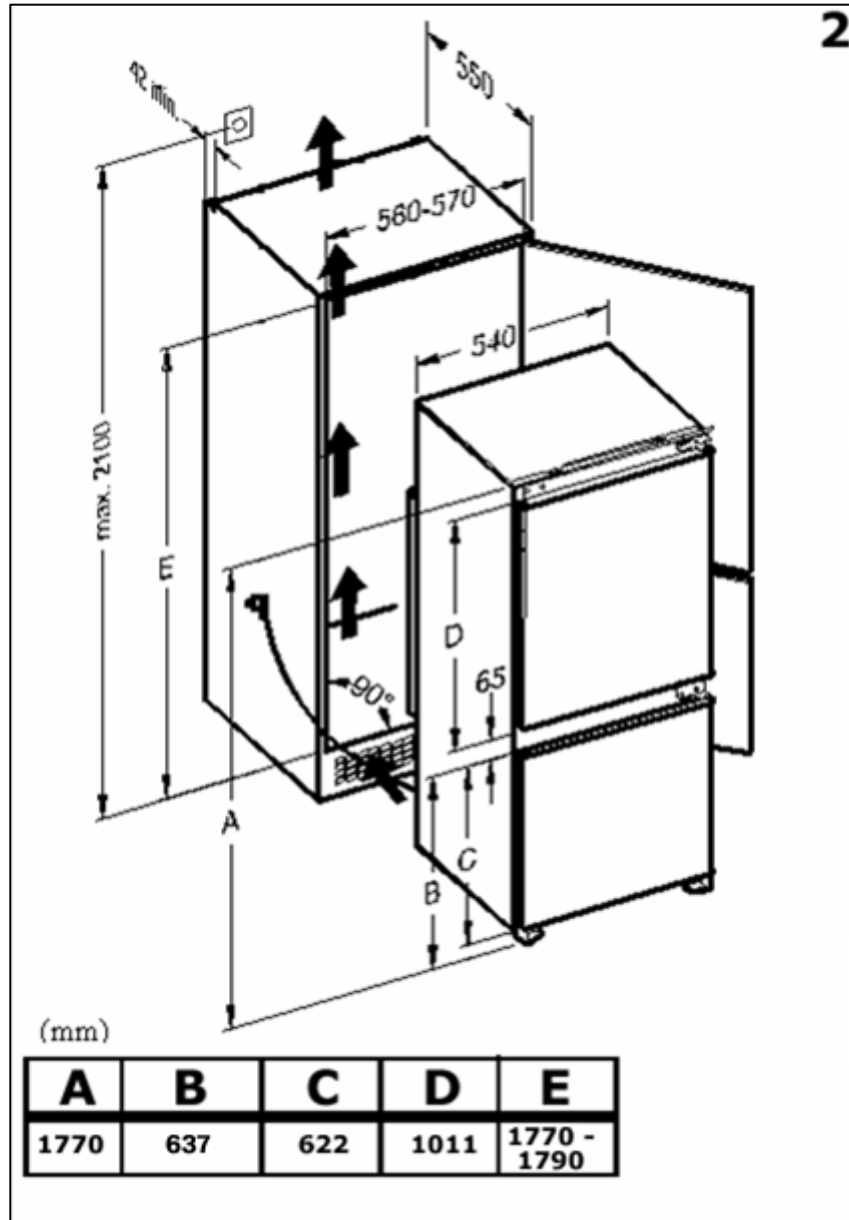
- Your appliance should not be located in direct sunlight or exposed to continuous heat or extremes of temperature (e.g. next to a radiator or boiler).
- The door should be able to open completely and freely
- The appliance should be situated so you can easily access the food that is stored in it.
- You should check whether there is an electrical socket available, which will be accessible after your appliance is installed.

Ventilation requirements



- 1) Your appliance requires ventilation. The minimum amount of ventilation that it requires is shown in figure 1.

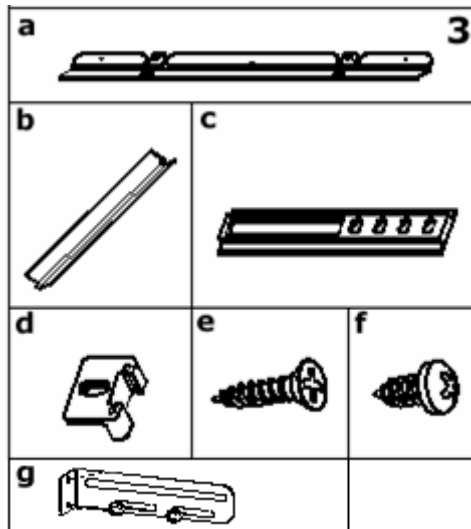
Aperture and appliance dimensions



2) Figure 2 shows the aperture size that you will need to be able to install your appliance.

- o The appliance must be stood on a level floor.

Supplied installation components

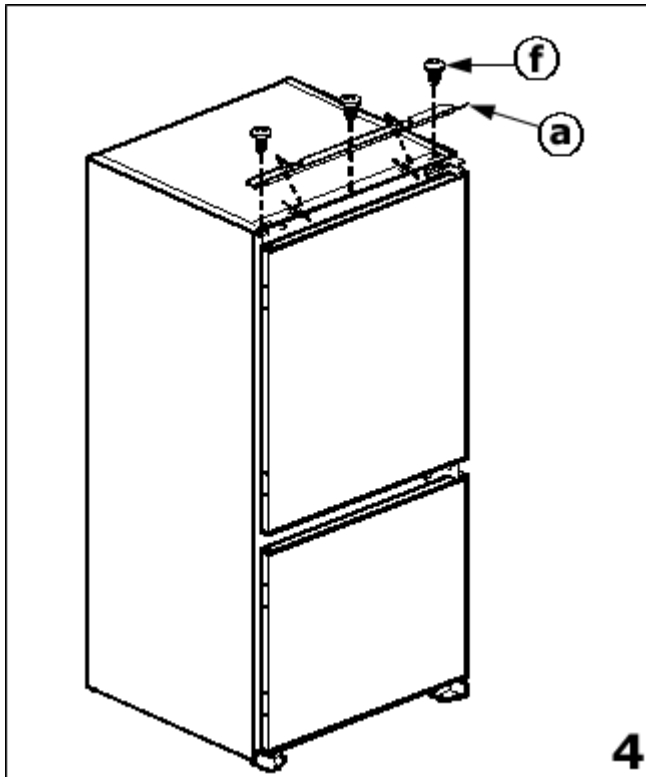


- a) Top fixing bar
- b) Sealing strip
- c) Door slider
- d) Door guide
- e) Fixing screws (Ø4 x 17)
- f) Fixing screws (Ø4.2 x 9.5)
- g) Central support bracket

Installing your fridge freezer



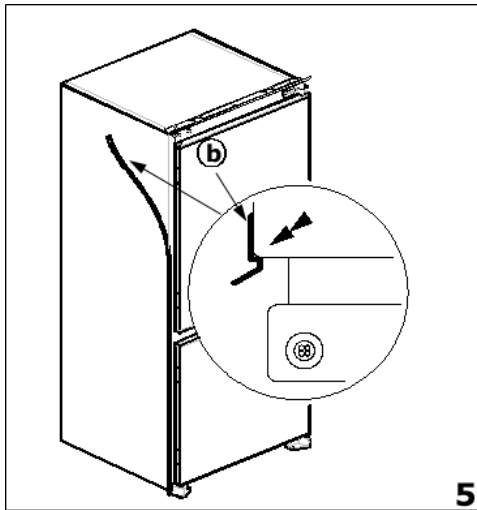
If you need the appliance door to open from the other side, then please reverse the door before commencing the installation process. (See Reversing the door section).



4) Insert the top fixing bar (a) into the slot on the top of the appliance. Use the Ø4.2 x 9.5 fixing screws (f) to fit the fixing bar to the top of the appliance.

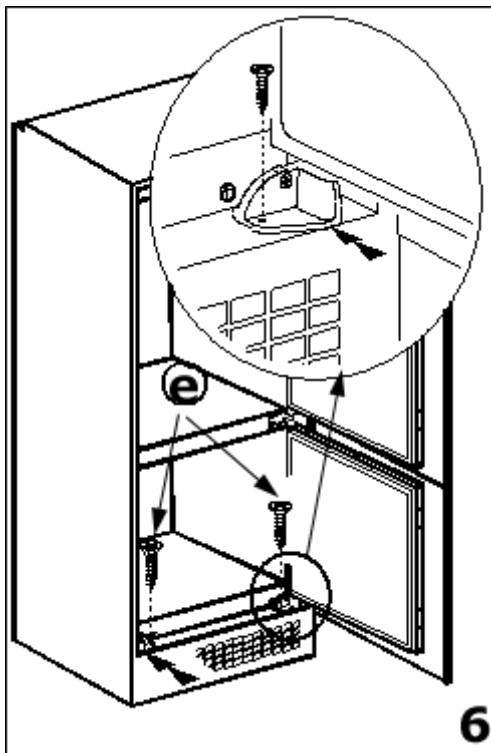
- o Pass the power cable through to the back of the aperture. This will allow the appliance to be easily plugged in, once you have completed the rest of the installation.

5) Cut the sealing strip so that is the same height as the height of the aperture.



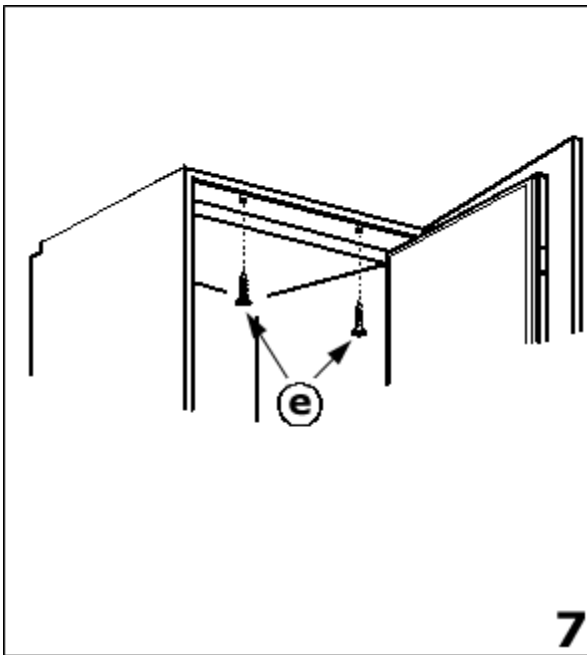
- Stick the sealing strip onto the side of the aperture that the appliance door will open from.
- Carefully lift the appliance and place it into the aperture of the kitchen unit that you are installing it into.

- Slide the appliance over to the far left of the aperture, unless you have reversed the door. In which case you should slide the appliance over to the far right of the aperture.

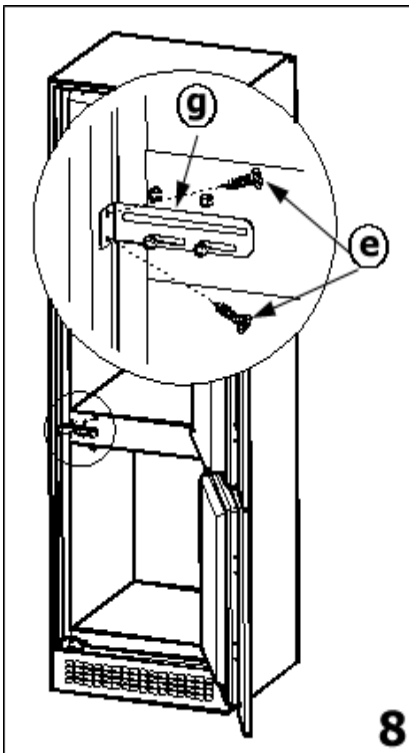


6) Align the front feet of the appliance, with the front edge of the kitchen unit.

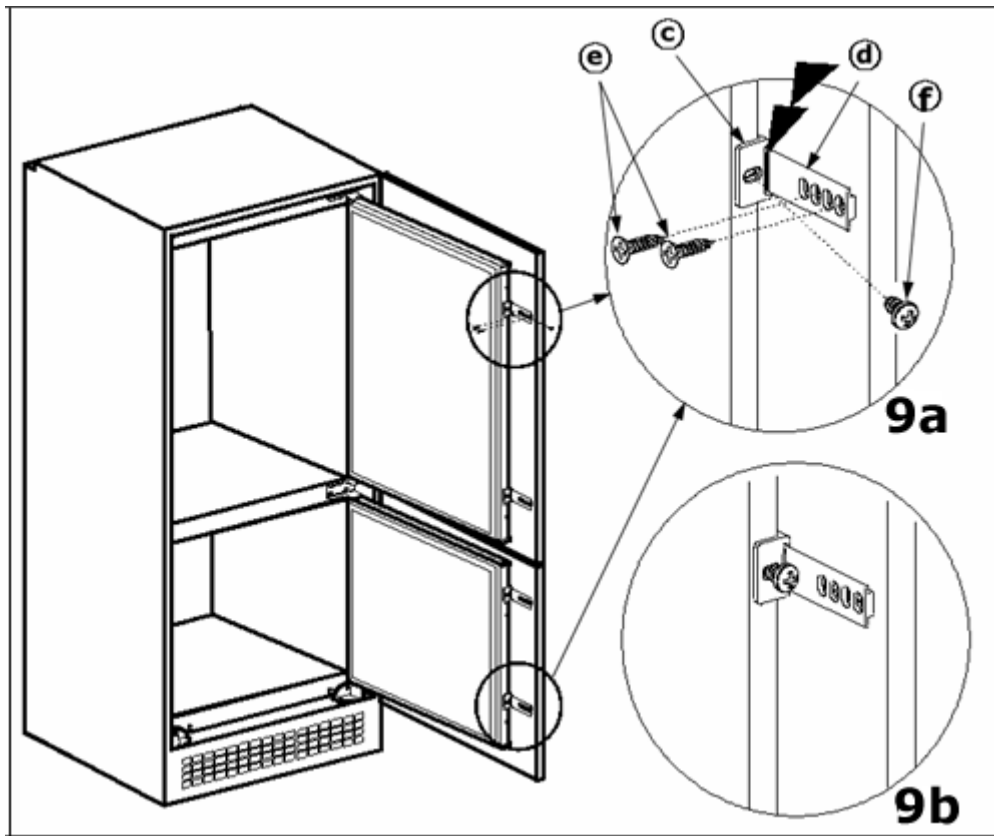
Fix the front feet into position using the Ø4 x 17 fixing screws (e).



7) Screw the top fixing bar to the underneath of the kitchen unit using the $\text{Ø}4 \times 17$ fixing screws (e).



8) Using the $\text{Ø}4 \times 17$ fixing screws (e), secure the central support bracket (g) to the appliance and then to the kitchen cabinet.



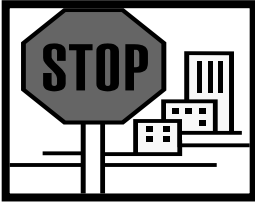
9a) Fit the door guides (**d**) to the appliance doors but do not secure them at this stage. **Perform the following steps on one appliance door at a time.**

- Open the furniture door and the appliance door to their fullest positions. Both of the doors should still be in contact with each other.
- Using a pencil, mark where the edge of the appliance door meets with the furniture door.
- From the edge of the furniture door, using a pencil you should mark a distance, which is the thickness of the cabinet wall + 10 mm. This is where the edge of the door slide (**c**) should be placed, in line with the door guide (**d**).
- Fix the door slide (**c**) to the furniture door using the $\text{Ø}4 \times 17$ fixing screws (**e**). The outer edge of the door slide should be placed on the second pencil mark that you made and in line with the door guide.

9b) Insert the door guides (**d**) into the door slides (**c**) and using the $\text{Ø}4.2 \times 9.5$ fixing screws (**f**), secure the door guides (**d**) to the appliance door, through the predrilled hole.

- Close the furniture door and appliance door until they are almost fully shut. In this position the door guide (**d**) should not come past the outer edge of the door slide (**c**). If it does, then your door slide is too close to the edge of your furniture door and should be moved further in.

Reversing the door of your appliance

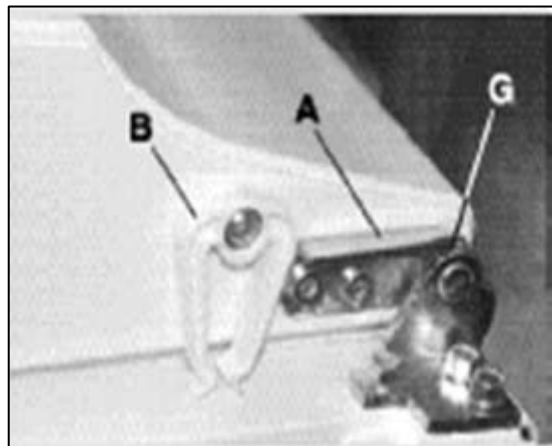


Caution! After unscrewing any of the fixing hinges, hold the door to prevent it from falling and causing damage.

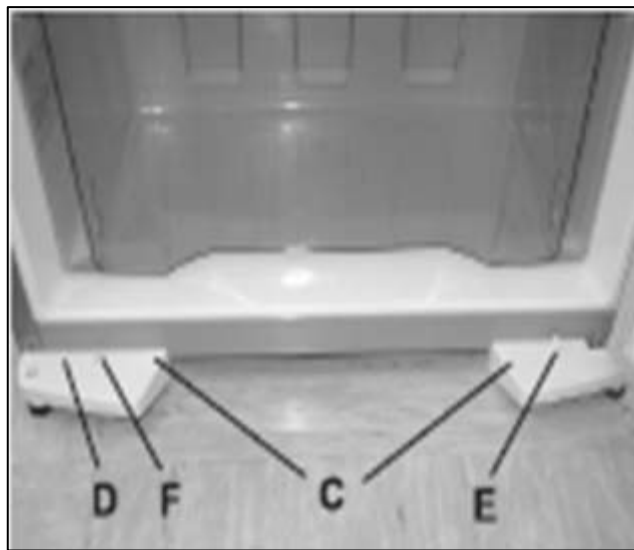


Any parts that you remove from the appliance whilst reversing the door, should be retained for later use.

- Remove the upper hinge cover from both sides of the appliance.
- WHILST SUPPORTING THE UPPER DOOR. Unscrew the upper hinge screws and remove the upper door from the middle hinge.



- On the bottom side of the upper door unscrew the swing stopper screws and remove the stopper (A). Fix the attached stopper with its bearing on the opposite side of the door.
- Unscrew the forced door closure system (B) and fix it to the opposite side of the door (certain models only).
- Unscrew the middle hinge screws and remove the door from the bottom hinge.
- Unscrew the leg holder fixing screws.



- Tilt the appliance backward at a maximum angle of 35°. Unscrew the leg support screws (C) - left and right, and remove the leg support cover (D). Then place it on the opposite side. Unscrew, remove and then replace the position of the end switch (E) and decorative peg (F) (for models with forced door closing system). Unscrew the three screws fixing the bottom hinge and then fix the bottom hinge on the opposite side.
- Repeat the procedure 3 and 4 on the bottom door. In case there is no bottom door limit peg, transfer the bearing (G) and washer to the opposite side of the door.
- To fit the doors on the opposite side of the fridge freezer proceed with the above procedure in reverse.

Troubleshooting



IMPORTANT: If your fridge freezer appears not to be operating properly, before contacting the Baumatic Customer Care Department, please refer to the checklist below.



My fridge freezer does not appear to be working/there is no power to my appliance.

- Check that the plug is fully inserted into the power socket.
- Check that there is power to your mains supply (e.g. that there hasn't been a power cut or that the fuse hasn't blown).
- Check that the thermostat has not been turned to the off position.
- Check that your mains supply voltage, corresponds to the voltage stated on the rating plate of your appliance.



My fridge freezer appears to be performing poorly

- Check that the appliance isn't overloaded and that food hasn't been packed too tightly into it.
- The thermostat setting is too low; you should turn the thermostat up higher.
- Ensure that the door is closing properly and that the door has not been opened for a prolonged period in error.
- Ensure that there is adequate ventilation for your appliance.



My fridge freezer is noisy

- The refrigerant gas that circulates the pipe work of the appliance may make a slight noise, even if the compressor is not running.
- If the noise worsens or the appliance gets louder than normal; check that it is leveled off correctly, that nothing is touching the rear of the fridge freezer and that nothing placed inside the appliance is rattling.



Ice has formed on the inner back wall of my fridge

- Check that food has not been pushed too far back inside the appliance, so that it is in contact with the inner back wall.



There is water in the base of the fridge or leaking out of my fridge.

- Follow the "Defrosting the refrigerator compartment" section on page 17.

Baumatic consumables

- **BC001** Degreaser for Dishwashers (200g)
- **BC002** Descaler for Washing Machines and Dishwashers (200g)
- **BC003** Ceramic Hob Cleaner (250ml)
- **BC004** Oven Cleaner (250ml)
- **BC005** Stainless Steel Cleaner and Protector (250ml)
- **BC007** E-Cloth – General Purpose Cloth
- **BC008** Microwave Cover

To order a Baumatic consumable product please call 0123 5437 244 and quote the product code. You can also order online from eshop.baumatic.co.uk

Technical Data

Manufacturer	BAUMATIC LTD
Model Number	BR23.8A
Product Category	7 – Refrigerator-Freezer
Energy Efficiency Class (1)	A
Annual Energy Consumption (2)	343 kWh
Storage Volume of Fridge Compartment	189 litres
Storage Volume of Freezer Compartment	75 litres
Star Rating	4
Frost Free Compartments	Fridge
Temperature Rise Time	11 hours
Freezing Capacity	5kg/24hr
Climate Class (3)	N
Noise Level	41 dB
Installation Type	Built-in

(1) On a scale from A+++ (highest efficiency) to G (lowest efficiency).

(2) Annual energy consumption based on standard test results for 24 hours. The actual energy consumption will depend on how the appliance is used and where it is located.

(3) This appliance is intended to be used at an ambient temperature between "16°C" (lowest temperature) and "32°C" (highest temperature).



United Kingdom

Baumatic Ltd.,
Baumatic Buildings,
6 Bennet Road,
Reading, Berkshire
RG2 0QX
United Kingdom

Sales Telephone

(0118) 933 6900

Sales Fax

(0118) 931 0035

Customer Care Telephone

(0118) 933 6911

Customer Care Fax

(0118) 986 9124

Spares Telephone

(01235) 437244

Advice Line Telephone

(0118) 933 6933

E-mail:

sales@baumatic.co.uk
customercare@baumatic.co.uk
spares@baumatic.co.uk
technical@baumatic.co.uk

Website:

www.baumatic.co.uk

Facebook:

www.facebook.com/baumatic.uk

Republic of Ireland

Service Telephone

1-890 812 724

Spares Telephone

091 756 771

Czech Republic

Baumatic CR spol s.r.o.
Lípová 665
460 01 Liberec 4
Czech Republic

+420 483 577 200

www.baumatic.cz

Slovakia

Baumatic Slovakia, s.r.o.
Galvániho 7/D
Slovakia

+421 255 640 618

Germany

Baumatic Gmbh
Bachstr.10-12
D-32257 Bünde
Deutschland

+49 (0) 5223 99408 0

www.baumatic.de

Italy

Baumatic Italia S.R.L.
Via Galvani N.3
35011 Campodarsego (PD)

+3904 9920 2297

www.baumatic.it

Holland

Baumatic Benelux B.V.
Dukdalfweg 15d
1332 BH ALMERE
Nederland

+31(0)36 549 1553

www.baumatic.nl

