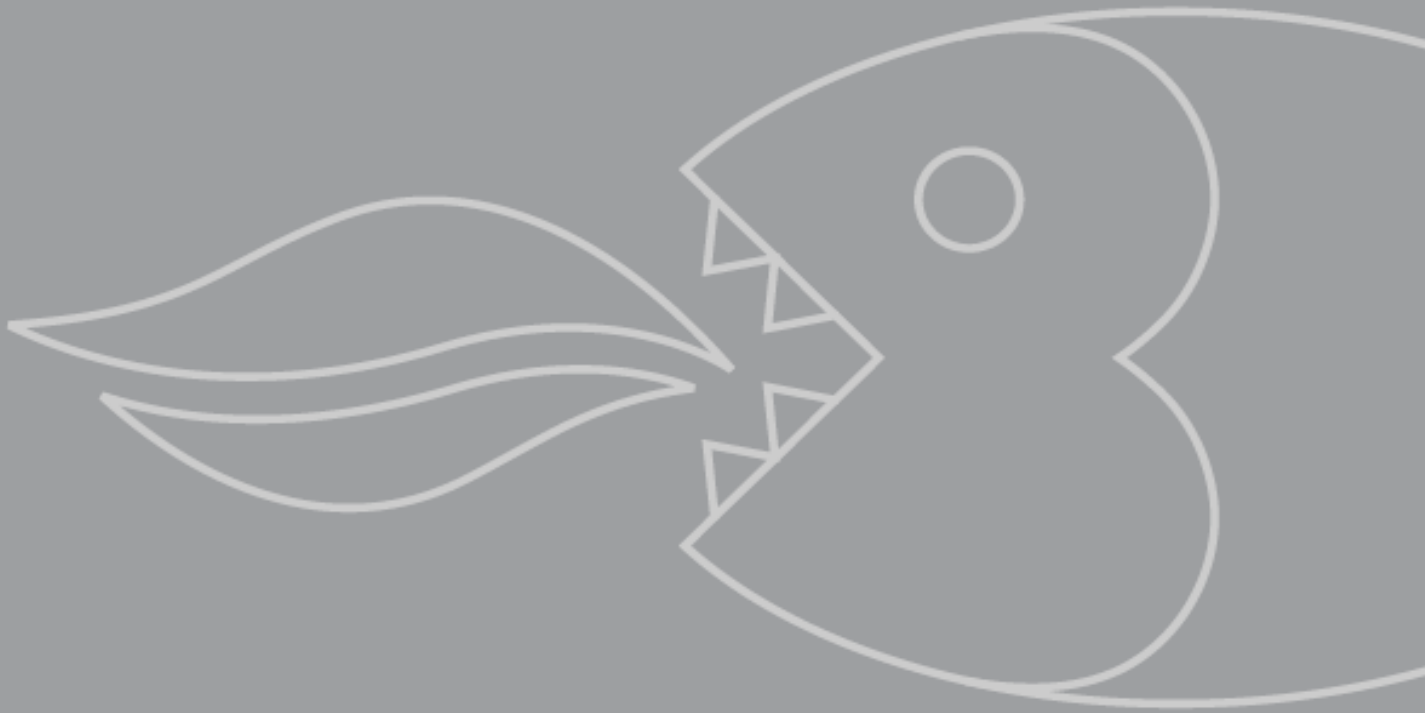


**BTD1**  
**Fully integrated air-  
vented tumble dryer**

**INSTRUCTION MANUAL**



# USER MANUAL FOR YOUR BAUMATIC

## BTD1

# Fully integrated air-vented tumble dryer




***NOTE: This User Instruction Manual contains important information, including safety & installation points, which will enable you to get the most out of your appliance. Please keep it in a safe place so that it is easily available for future reference.***

# Contents

<b>Environmental note</b>	4
<b>Important safety information</b>	5 – 7
<b>Specifications</b>	8 – 10
Product and aperture dimensions	8
Product specifications	8 – 9
Electrical details	9
Control panel	9 - 10
<b>Drying program guidance</b>	10 – 11
Care labels	11
<b>Selecting a drying program</b>	12
Pausing a drying cycle	12
<b>Maintenance and cleaning</b>	13 - 14
In daily use	13
Control panel and tumble dryer cabinet	13
The tumble dryer drum	13
Door	13
The filter	14
<b>Installation</b>	15 - 20
Installing the appliance into a kitchen unit	15 - 16
Reversing the dryer door	17 - 18
Fitting the décor door	19
Power supply	19 - 20
<b>Troubleshooting</b>	21 - 22
<b>Contact details</b>	23

***Note: Before discarding an old appliance, switch off and disconnect it from the power supply. Cut off and render any plug useless. Cut the cable off directly behind the appliance to prevent misuse. This should be undertaken by a competent person. Disable the door lock to make sure that children cannot get stuck inside the appliance.***

**This appliance is marked according to the European directive 2002/96/EC on Waste electrical and Electronic Equipment (WEEE). By ensuring this product is disposed of correctly, you will help prevent potential negative consequences for the environment and human health, which could otherwise be caused by inappropriate waste handling of this product.**

The symbol  on the product, or on the documents accompanying the product, indicates that this appliance may not be treated as household waste. Instead it shall be handed over to the applicable collection point for the recycling of electrical and electronic equipment.

**Disposal must be carried out in accordance with local environmental regulations for waste disposal.**

**For more detailed information about treatment, recovery and recycling of this product, please contact your local city office, your household waste disposal service or the shop where you purchased the product.**



- The packaging materials that Baumatic uses are environmentally friendly and can be recycled.
- Please discard all packaging material with due regard for the environment.

## Important safety information



Your safety is of the utmost importance to Baumatic. Please make sure that you read this instruction booklet **before** attempting to install or use the appliance. If you are unsure of any of the information contained in this booklet, please contact the Baumatic Advice Line.

### General Safety

- Repairs to your appliance must only be carried out by a Baumatic engineer or one of its authorised service agents. Any attempt by an inexperienced person to repair the appliance, could result in injury or damage to your tumble dryer.
- If you notice that the special mains cable is damaged. ***The appliance must not be used.*** The same applies if you notice that the worktop, control panel or base area is damaged. As this could allow access to the internal components of the machine.
- The appliance should be turned off and isolated from the mains supply, before either cleaning or maintenance work is attempted.
- The mains cable must not be used to pull the plug out of the electrical socket.
- The machine should not be sprayed with water.
- The window of the porthole door may become hot during use.
- The machine should be allowed to cool before cleaning the filter.
- It is possible for small animals to chew either mains cables or water hoses, which could cause an electric shock hazard.
- If you stop the tumble dryer before the end of a drying cycle ensure all items are quickly spread out so that heat is dissipated.

### Installation

- The installation instructions contained within this user manual should be followed.
- It is obligatory for the completed installation to comply with all relevant building regulations.

- Adequate venting must be provided to avoid back flow of gases into the room from appliances burning other fuels including open fires.
- Exhaust gas must not be discharged into a flue used for exhausting fumes from appliances burning gas or other fuels.
- Do not allow the venting hose (where applicable) or filter to become blocked.

### **During Use**

- It is recommended that the appliance is turned off after the machine is used.
- This appliance is only designed to dry normal domestic washloads. If you use your tumble dryer in any other way or it is incorrectly used, then Baumatic accepts no liability for any damage that might be caused and any guarantee will be void.
- No attempt should be made to alter or modify the specifications of this appliance.
- You should not dry garments that have been in contact with flammable materials.
- Your tumble dryer should not be used for dry cleaning.
- Do not dry unwashed items in the tumble dryer.
- Do not allow fluff to accumulate around the tumble dryer.
- If you use either dyes or bleaching agents inside this machine, then you should consult with the manufacturer of these products to make sure they are suitable for use in your tumble dryer. Baumatic cannot be held responsible for any damage that may result.
- Fabric softeners should be used as specified in the manufacturer's instructions.
- Items soiled with substances such as cooking oil, acetone, alcohol, petrol, kerosene, spot removers, turpentine, waxes and wax removers should be washed in hot water with extra detergent before being dried.
- Remove all objects from pockets of clothes such as lighters and matches.

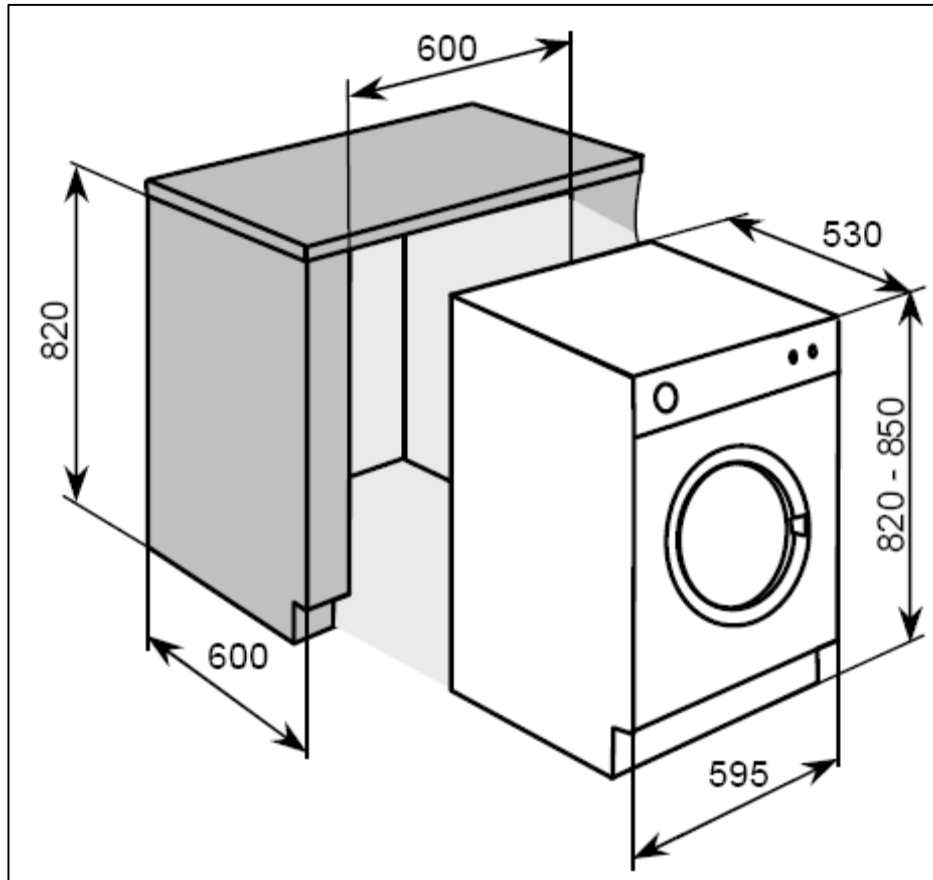
- **DO NOT** place items in the dryer if anything other than a water solution has been used in the cleaning process.
- **DO NOT** attempt to dry dripping wet items.

### **Child Safety**

- The tumble dryer is not intended for use by persons with reduced mental, physical or sensory capabilities or lack of experience or knowledge, unless they have been given supervision and instructions concerning the use of the appliance by a person responsible for their safety.
- Children should be supervised to ensure they do not play with the appliance.
- It could be possible for a child or pet to gain access to the tumble dryer through the porthole door. Therefore please check the drum before using the appliance.
- Any packaging that is removed from the machine should be kept away from children.

## Specifications

### Product and aperture dimensions



#### Appliance dimensions

Height: 820 - 850 mm  
(excluding décor strip)  
Width: 595 mm  
Depth: 530 mm

#### Aperture dimensions

Height: 820 mm  
Width: 600 mm  
Depth: 600 mm

#### Product specifications

- Capacity: 6 kg
- 6 drying programs
- Adjustable heat input
- Minute minder up to 140 minutes
- Reverse tumble action
- 180° door opening
- 300 mm porthole diameter
- Removable fluff filter
- Galvanized drum
- Safety lock
- Anti crease function
- Venting hose



- Adjustable feet
- Energy efficiency class: C

### Electrical details

**Rated voltage:** 220 - 240 Vac 50 Hz

**Electrical connection rating:** 2.70 kW

**Supply connection:** 13 A (double pole switched fused outlet with 3 mm contact gap)

### Control panel



- A Drying time selection knob
- B Program suggestion display
- C Heat selection button
- D Start button



### Drying time selection knob

- Turning the control knob allows you to select the drying time according to your laundry.

### Program suggestion display

- The control panel shows recommendations of drying times and temperatures for certain types of laundry. The suggestions are as follows:

<i>Laundry</i>	<i>Temperature setting</i>	<i>Drying time (mins)</i>
Cotton dry		80 – 120
Cotton damp dry		60 – 100
Heavy synthetics		20 – 40
Light synthetics		20 – 40

Linens		80 – 120
Polyester cotton		40 - 60

### Heat selection button

- Press this button to select the temperature that you require for a particular wash program.



Low heat



High heat

### Start button

- Once a drying program has been selected, this button should be pressed to start the drying cycle.

## Drying program guidance

- Check the wash care labels of the garments that you want to dry, to make sure that they are suitable for drying in a tumble dryer.
- The **maximum** amount of clothing that can be dried in your appliance in a single drying cycle is **6kg**. If the tumble dryer is overloaded, then the drying performance will be affected and clothing may come out creased.
- If you have taken the clothes you want to dry out of a washing machine with an inadequate spin cycle, roll the clothes in a towel to remove the excess water.
- **IMPORTANT: Do not dry clothes that are dripping wet.**
- Only dry garments of the same fabric type in a single drying program. If heavy and light fabrics are dried in the same drying cycle, then you will get uneven drying performance.
- When drying larger garments such as sheets, it is advisable not to place more than two garments in the appliance at once. You should stop the dryer before the completion of a program to redistribute the load.
- Delicate items such as tights and stockings should be placed inside a pillowcase before drying.

- DO NOT dry clothes containing foam rubber (latex foam), shower caps, waterproof textiles, rubber backed articles and clothes or pillows fitted with foam rubber pads in the appliance.
- DO NOT dry one item at a time as the garment will roll up and increase the drying time.
- ***IMPORTANT: If the clothes become dry before the cycle has finished, the thermostat will automatically switch off the heater to prevent over-drying the garments. This will save energy although the drum will still rotate.***
- There is an automatic 12 minute cool down period at the end of every cycle, during which the heater switches off. This helps to minimise creasing.

### Care labels

- You may find the following symbols on the care labels of your garments. These indicate how to dry the item correctly.



Tumble drying beneficial



Do not tumble dry



Dry flat

## Selecting a drying program

- Open the tumble dryer door.
- Load the clothes loosely into the drum. Items such as sheets should be loaded corner-first.
- Close the door and dry your hands thoroughly.
- Select the desired drying temperature using the heat selection button **(C)**. Use the program suggestion display **(B)** as a guide.
- Check that the drying time selection dial **(A)** is in the "0" position before you adjust it to the required drying time.

***Each drying cycle automatically includes a final cooling down period of about 12 minutes. This should be accounted for when setting a drying time.***

- Press the start button **(D)** and the drum will begin rotating.
- The tumble dryer will stop when the timer automatically reaches the "0" position.

### Pausing a drying cycle

- It is possible to remove your clothes or redistribute the load before the cycle has finished.
- To stop the machine in the middle of a program, simply open the door. The drum will stop rotating automatically.
- ***IMPORTANT: Care should be taken when interrupting a drying cycle as garments may be hot to touch.***
- The program will continue when the door is closed again and the start button **(D)** is pressed.
- To lengthen or shorten the program when it is in progress, turn the drying time selection dial **(A)** to the required time.

## Maintenance and cleaning

### In daily use

- The filter should be cleaned after each drying cycle.
- Leave the porthole door ajar for a short while after a drying cycle has completed. This should help to prevent stagnant smells and to protect the door seal.
- We suggest that you disconnect the appliance from your mains supply, when it is not in use.

### Control panel and tumble dryer cabinet.

***IMPORTANT:*** Do not use any abrasive cleaner or household polish on either the control panel or operating parts.

- Wipe over the control panel and the external surface of the machine using a brand new damp cloth with warm water.

### The tumble dryer drum

The drum of your tumble dryer is constructed from galvanized steel. However if there are objects that can rust placed inside the drum, then it is possible for the drum to become stained.

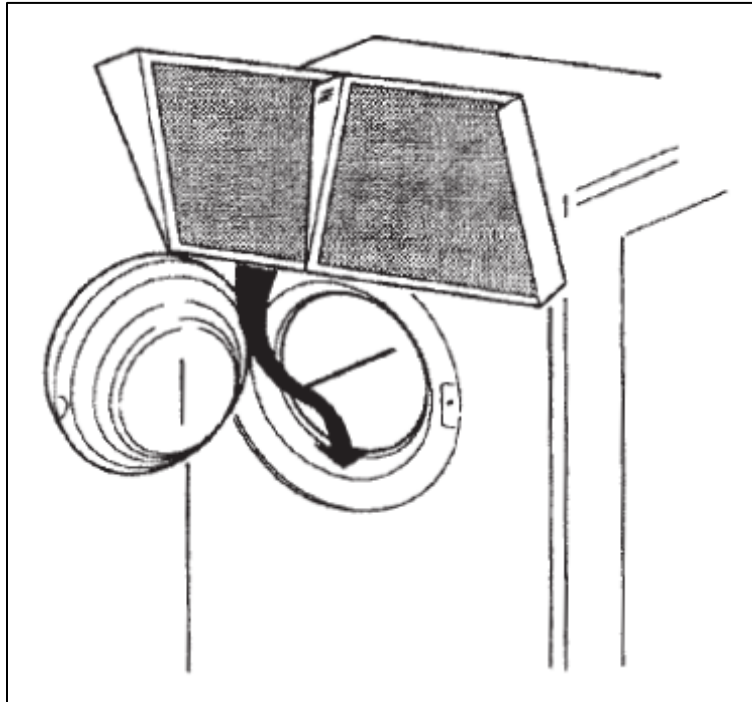
***IMPORTANT:*** Do not use a descaling agent, iron/steel wool or scouring agents to clean the drum of your appliance.

### Door

- You should regularly check to see if any deposits have formed, or there are any foreign bodies in the rubber door gasket. This sits inside the opening of the porthole door.

## The filter

- It is important to remove fluff from the filter after each drying cycle.
- You should disconnect the appliance from the mains supply before cleaning the filter.



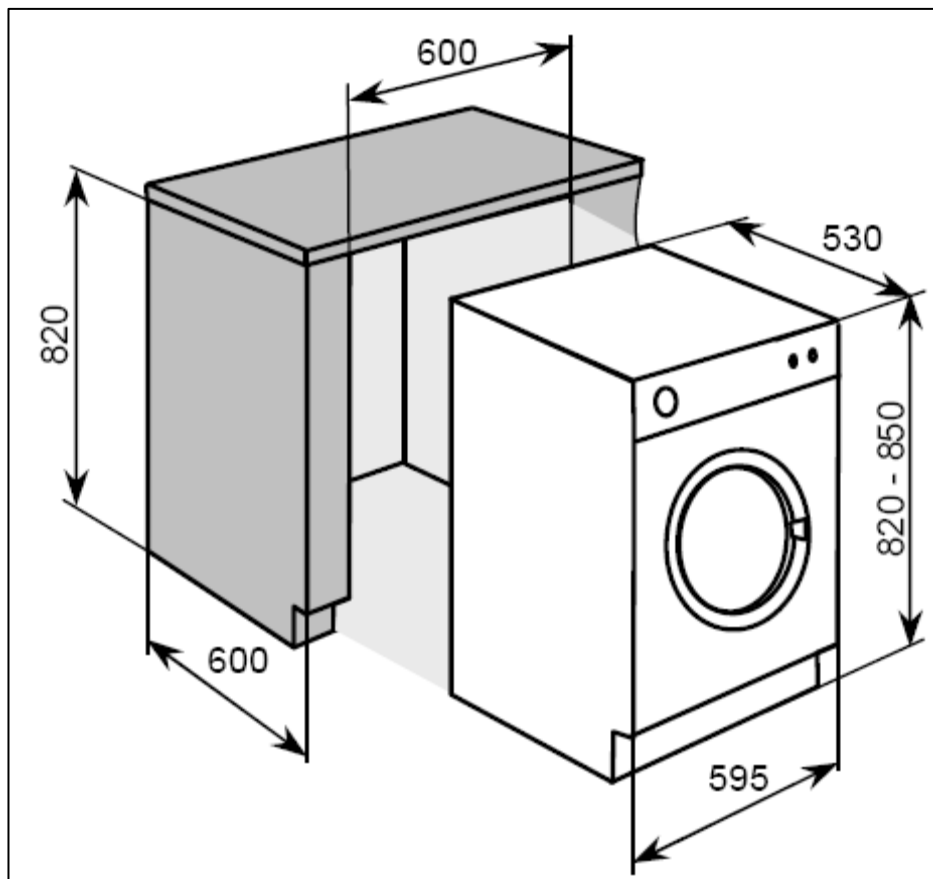
- The filter is located inside the doorway rim at the bottom, as shown in the above diagram.
- To remove the filter, pull it upwards.
- Remove any thread or fluff by hand or with a soft brush.
- Slide the filter back into position.
- Wash the filter occasionally in a detergent solution and with a soft brush to remove all small particles. Do not use an abrasive cleaning product on the filter.

## Installation

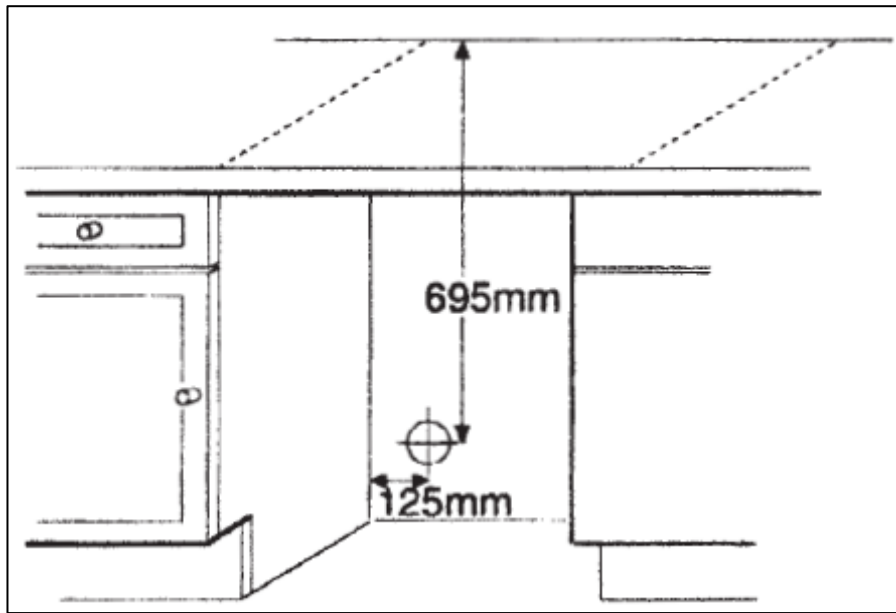


**IMPORTANT: THIS INSTALLATION MUST BE COMPLETED BY A SUITABLY QUALIFIED PERSON. BAUMATIC ONLY SANCTION THE INSTALLATION GIVEN IN THIS INSTRUCTION MANUAL. YOU SHOULD KEEP THE TRANSIT PACKAGING, IN CASE YOU NEED TO TRANSPORT THE MACHINE IN THE FUTURE.**

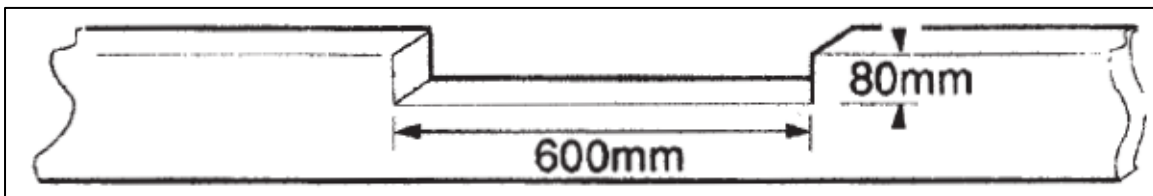
### Installing the appliance into a kitchen unit



- You should ensure that the size of the aperture is the same as the dimensions given in the above diagram.
- Your dryer is provided with a vent hose which will extend to approximately 2.4 metres. It is strongly recommended that this is vented through the wall with the attachment provided.
- The position of the hole for the vent (100 mm diameter) should be directly behind the tumble dryer as shown in the diagram on the next page.



- The vent hole should be positioned 125 mm in from the left adjacent kitchen unit and 695 mm below the work surface above.
- If the vent through the wall is to be positioned anywhere else other than behind the dryer, the vent hose should be located at floor level and through an adjacent side panel to a suitable position.
- The plinth must be cut-out to accommodate the air vent grill at the bottom front of the tumble dryer. The cut-out size required is shown in the diagram below.



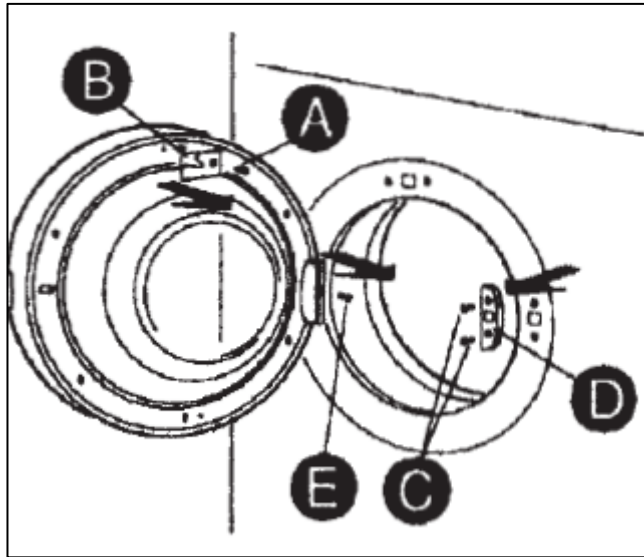
- **IMPORTANT: The air vent at the front of the appliance must never be covered or blocked in any way as this will cause the dryer to overheat.**



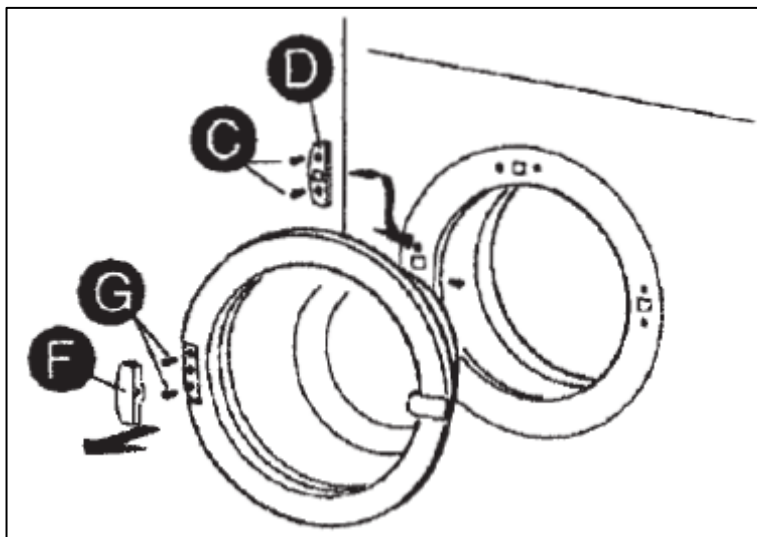
## Reversing the dryer door

**IMPORTANT:** The appliance must be disconnected from the mains supply before carrying out this procedure.

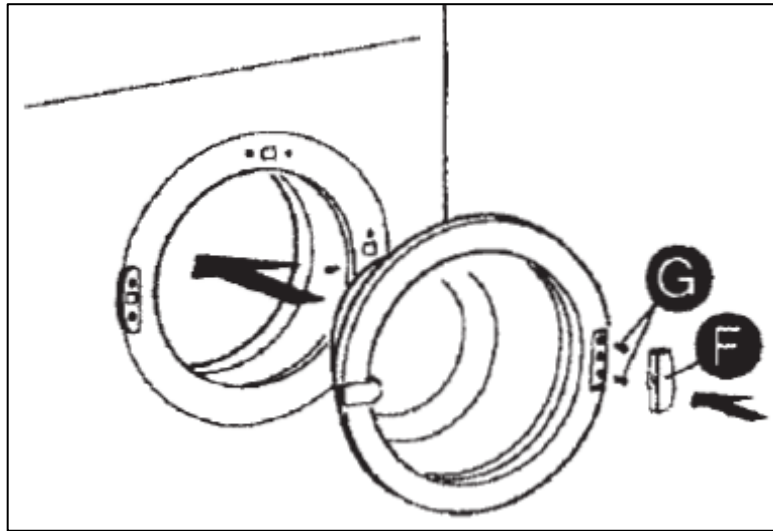
- The tumble dryer's door can be positioned to open either to the right or the left.



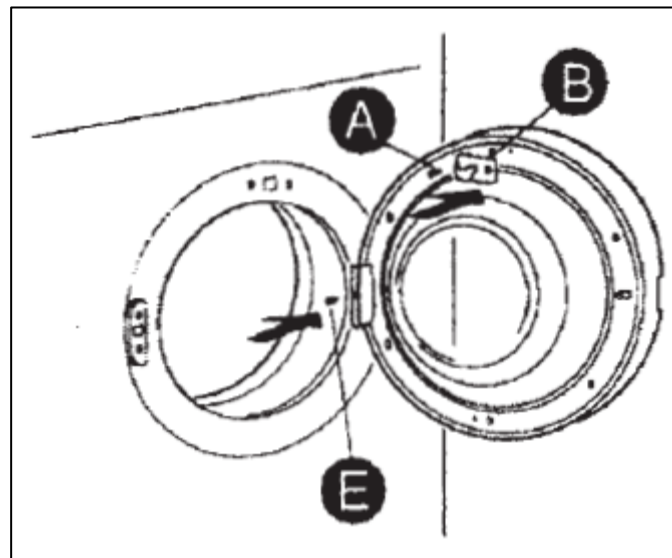
- Open the dryer door.
- Undo the screw (A), remove the switch strike (B) and replace the screw.
- Remove the screws (C) and latch plate (D).
- Remove the hinge cover screw (E).
- Close the door.



- Pull the hinge cover (**F**) forwards to remove it.
- Remove the two outer screws (**G**). Remove the door.
- Fit the latch plate (**D**) with screws (**C**).

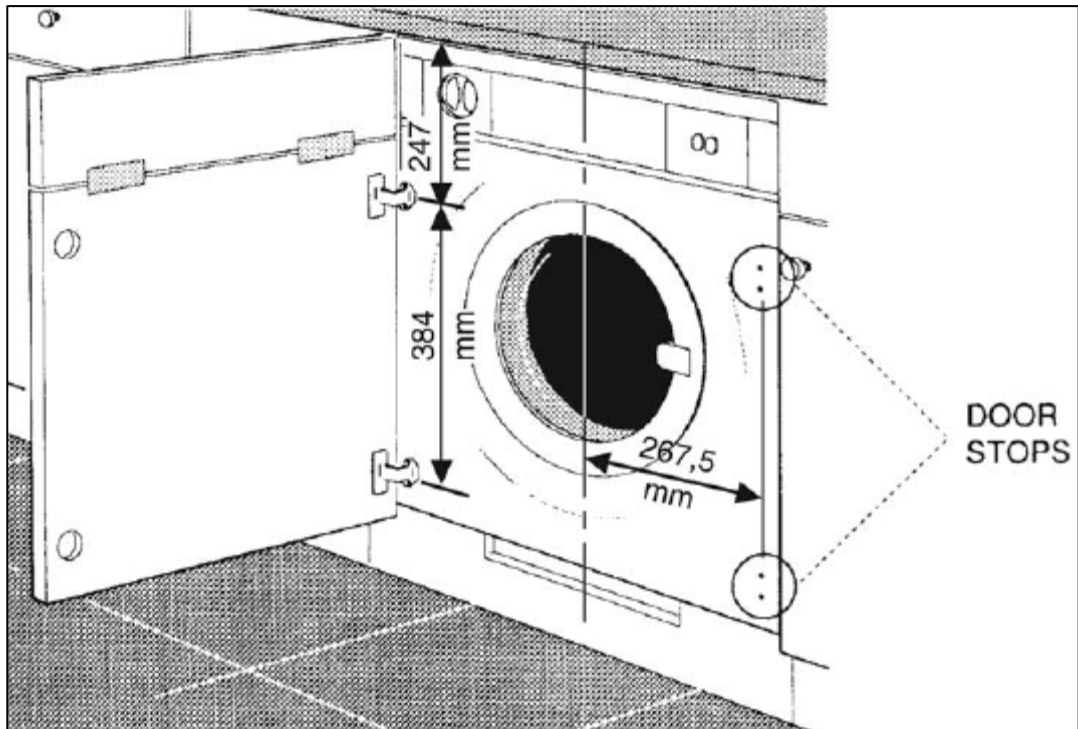


- Reverse the door and place against the dryer's doorway so that it is in the closed position.
- Refit the screws (**G**) and hinge cover (**F**).
- Open the door.



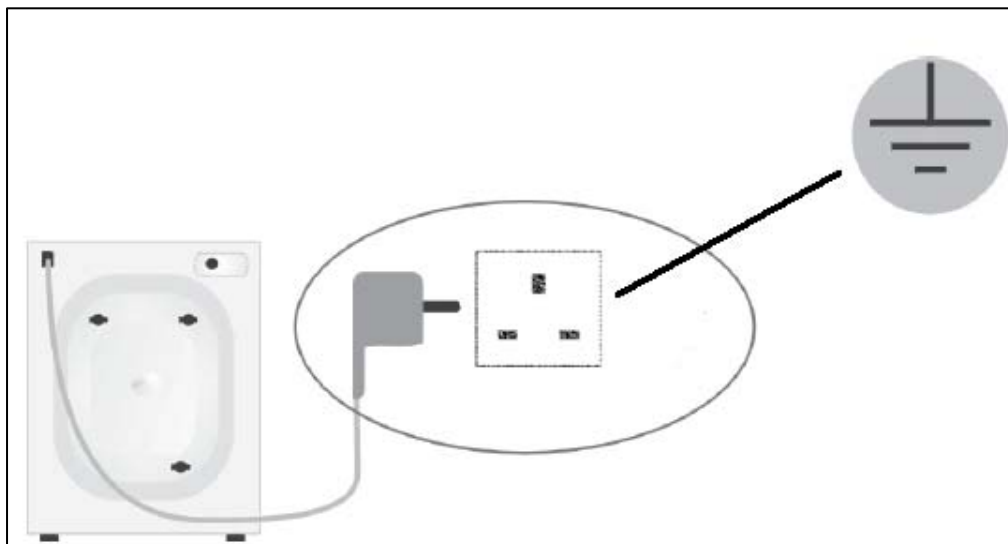
- Fit screw (**E**) to secure the hinge cover.
- Remove the screw (**A**) at the top of the door and refit strike (**B**) as shown in the above drawing.

## Fitting the décor door



- The hinges can be fastened through the pre-drilled holes on either the left or right hand side with the door stops being fitted on the other side.
- The décor door and dryer door must be hinged on the same side. The décor door must not be sliding or lockable.
- **PLEASE NOTE: The drawing above shows a décor door incorporating a false drawer front.**

## Power supply



- ***IMPORTANT: As your appliance is a built in product, the electrical socket or mains switch must still be accessible once the appliance is installed.***
- Consult the rating plate, located on the back of the appliance ***BEFORE*** making the electrical connections. Ensure that the voltage reaching the plug is the same as that on the rating plate.
- ***DO NOT REMOVE THE RATING PLATE AS THE INFORMATION ON IT IS IMPORTANT.***
- The moulded plug that is supplied with the appliance must be placed into an earthed and insulated socket.
- The special mains cable and plug assembly must only be replaced with a genuine part from the Baumatic Spares department or our appointed service agent.
- ***IMPORTANT: We do not recommend that this appliance is connected to an extension lead.***

## Troubleshooting

- If your tumble dryer appears to have a fault, please check the table below before calling the Baumatic Customer Care Helpline.

<i>Problem</i>	<i>Possible cause</i>	<i>Possible solution</i>
Clothes are not dry after a normal drying time (e.g. a length of time within which your appliance usually dries a similar washing load).	The filter is dirty.	Clean the filter.
	You used the wrong temperature setting.	Increase the temperature setting.
	The power is off.	Check if the power is on or not.
	The venting hose has become blocked (sometimes a strong wind may cause back pressure).	Unblock the venting hose.
	You have set the timer within the cool down period.	Set the timer for a long enough drying time, taking into account the final cool down period (about 12 minutes).
Your tumble dryer is not working at all.	There is no power supply.	Connect to a power supply.
	Not switched on.	Switch on the machine.
	The door is not closed properly.	Close the door before trying to operate your appliance again.
	Your appliance has cut-out.	Your tumble dryer has been fitted with a resettable cut-out. Check that this is not engaged by seeing if the red button on the back of your appliance gives a sharp 'click' sound when you press it. PLEASE NOTE: This cut-out only operates if the airflow is severely restricted so make sure the filter is clean and all other restrictions are removed before restarting.
	The mains cord is damaged.	You must contact the Customer Care Helpline to order a new cord.



This label, positioned on the rear of your dryer, indicates that the surface is hot when in use so avoid touching it.

**CAUTION HOT  
SURFACE**



***IMPORTANT: If your appliance appears not to be operating correctly, then you should disconnect it from your mains supply and then contact Baumatic Customer Care on telephone number (0118) 933 6911.***

***IMPORTANT: DO NOT ATTEMPT TO REPAIR THE APPLIANCE YOURSELF.***

Please note that if an engineer is asked to attend whilst the product is under guarantee and finds that the problem is not the result of an appliance fault, then you may be liable for the cost of the call out charge.

***The appliance must be accessible for the engineer to perform any necessary repair. If your appliance is installed in such a way that an engineer is concerned that damage will be caused to the appliance or your kitchen, then he will not complete a repair.***

***This includes situations where appliances have been tiled in, sealed in with sealant, have wooden obstructions placed in front of the appliance, like plinths. Or any installation other than the one specified by Baumatic Ltd. has been completed.***

Please refer to the conditions of guarantee that appear on the warranty card that you receive with the appliance.



***United Kingdom***

Baumatic Ltd.,  
Baumatic Buildings,  
6 Bennet Road,  
Reading, Berkshire  
RG2 0QX  
United Kingdom

**Sales Telephone**

(0118) 933 6900

**Sales Fax**

(0118) 931 0035

**Customer Care Telephone**

(0118) 933 6911

**Customer Care Fax**

(0118) 986 9124

**Spares Telephone**

(01235) 437244

**Advice Line Telephone**

(0118) 933 6933

**E-mail:**

sales@baumatic.co.uk  
customercare@baumatic.co.uk  
spares@baumatic.co.uk  
technical@baumatic.co.uk

**Website:**

www.baumatic.co.uk

***Republic of Ireland***

**Service Telephone**

1-890 812 724

**Spares Telephone**

091 756 771

***Czech Republic***

Baumatic CR spol s.r.o.  
Průmyslová zóna Sever 696  
460 11 Liberec 11  
Czech Republic

+420 483 577 200

www.baumatic.cz

***Slovakia***

Baumatic Slovakia, s.r.o.  
Galvániho 7/D  
Slovakia

+421 255 640 618

***Germany***

Baumatic Gmbh  
Lilienthalstrasse 1  
320 52 Herford  
Deutschland

+49 5221 694 99-0

www.baumatic.de

***Italy***

Baumatic Italia S.R.L.  
Via Galvani N.3  
35011 Campodarsego (PD)

+3904 9920 2297

www.baumatic.it

***Holland***

Baumatic Benelux B.V.  
Grindzuigerstraat 22  
1333 MS ALMERE  
Nederland

+3136 549 1555

www.baumatic.nl

