

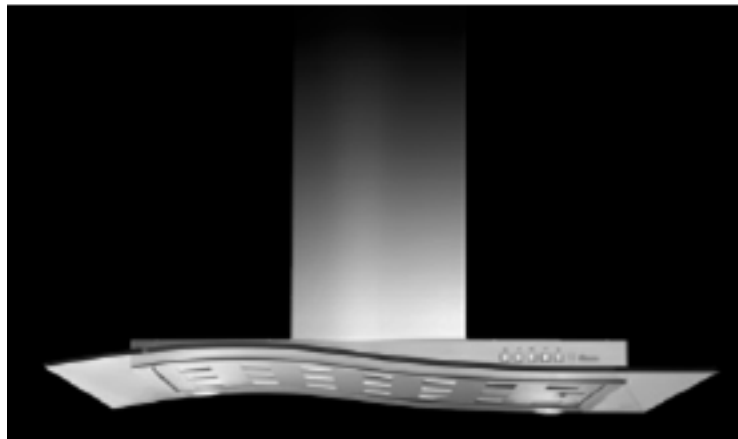
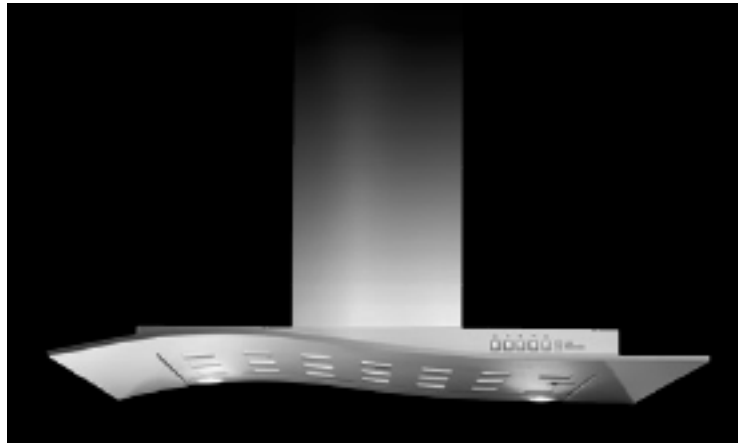
**P30SS/P31SS
Cooker hood**

INSTRUCTION MANUAL



User Manual for your Baumatic
P30SS Pythagora 90 cm cooker
hood

P31SS Pythagora 90 cm glass
cooker hood



NOTE: This User Instruction Manual contains important information, including safety & installation points, which will enable you to get the most out of your appliance. Please keep it in a safe place so that it is easily available for future reference; for you or any person not familiar with the operation of the appliance.

DD 17/08/10


Environmental note	4
IMPORTANT SAFETY INFORMATION	5 – 7
Specifications of your cooker hood	8
Using your Baumatic cooker hood	9
The control panel	9
Controlling your cooker hood	10
The timer button	10
Grease filter maintenance alarm	10
Cleaning your Baumatic cooker hood	11
The grease filter	11
Maintenance	12
Removing and cleaning the grease filter	12
Changing a light bulb	13
Fitting the carbon filter	14
Installation	15
Electrical connection	16
Before beginning installation	17
Extraction mode or recirculation mode?	18
Installing your cooker hood	19 - 22
Connecting to external ducting	23
Fitting the chimney section	24 - 25
Completing the installation	26
Troubleshooting	26 - 27
Contact details	28

ENVIRONMENTAL NOTE

Note: Before discarding an old appliance, switch off and disconnect it from the power supply. Cut off and render any plug useless. Cut the cable off directly behind the appliance to prevent misuse. This should be undertaken by a competent person.

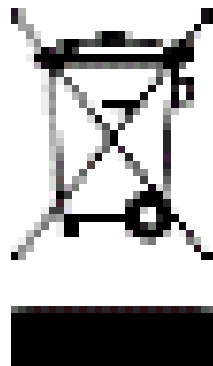
CONFORMITY TO W.E.E.E. DIRECTIVE

This appliance is marked according to the European directive 2002/96/EC on Waste electrical and Electronic Equipment (WEEE). By ensuring this product is disposed of correctly, you will help prevent potential negative consequences for the environment and human health, which could otherwise be caused by inappropriate waste handling of this product.

The symbol  on the product, or on the documents accompanying the product, indicates that this appliance may not be treated as household waste. Instead it shall be handed over to the applicable collection point for the recycling of electrical and electronic equipment.

Disposal must be carried out in accordance with local environmental regulations for waste disposal.

For more detailed information about treatment, recovery and recycling of this product, please contact your local city office, your household waste disposal service or the shop where you purchased the product.

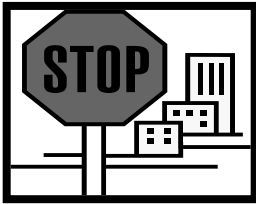


- The packaging materials that Baumatic uses are environmentally friendly and can be recycled.
- Please discard all packaging material with due regard for the environment.

IMPORTANT SAFETY INFORMATION



Your safety is of the utmost importance to Baumatic. Please make sure that you read this instruction booklet **before** attempting to install or use the appliance. If you are unsure of any of the information contained in this booklet, please contact the Baumatic Technical Department.



IMPORTANT: Any installation work must be carried out by a qualified electrician or competent person.

- The hood must be installed in accordance with the installation instructions and all measurements followed.
- If the cooker hood is installed for use above a gas appliance then the provision for ventilation must be in accordance with the Gas Safety Codes of Practice BS.6172, BS.5440 & BS.6891 (Natural Gas) and BS.5482 (LP Gas) 1994, the Gas Safety (Installation & Use) Regulations, the Building Regulations issued by the Department of the Environment, the Building Standards (Scotland) (Consolidated) Regulations issued by the Scottish Development Department.
- It is dangerous to alter the specifications or to modify this product in any way. Do not tamper with it or attempt to modify the appliance in any way.
- When installing the hood, ensure that the following recommended distances are observed between the highest point on the hob top (including the burners) and the bottom of the cooker hood:



- **Electric cookers:** 700 mm
- **Gas cookers:** 700 mm
- **Coal/ oil cookers:** 800 mm

IMPORTANT: DO NOT SET YOUR COOKER HOOD LESS THAN 700mm ABOVE YOUR COOKER.

- When installed between adjoining wall cabinets, the cabinets must not overhang the hob.

- The edges of the cooker hood are sharp – be mindful of this as you handle your appliance, especially during installation and cleaning. **DO NOT CLEAN IN BEHIND THE GREASE FILTERS!**
- If the room where the cooker hood is to be used contains a fuel burning appliance such as a central heating boiler then its flue must be of the sealed or balanced flue type.
- If other types of flue or appliances are fitted, ensure that there is an adequate supply of air in the room.
- When the hood is being used in extraction mode, then ensure that the ducting is fire retardant and that there are no bends sharper than 90 degrees as this will reduce the efficiency of the hood.
- Ensure that the ducting used in extraction mode has the same diameter as the outlet hole all the way through.
- Keep young children from using, playing with or tampering with the cooker hood. Older children and infirm persons should be supervised if they are using the cooker hood.



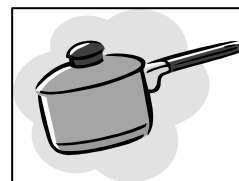
- Your cooker hood is for domestic use only.



- Please dispose of the packing material carefully – children are especially vulnerable to it.
- Dirty oil is an even greater fire risk.

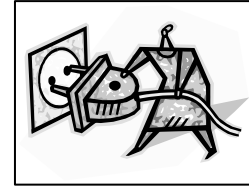


- Always put lids on pots and pans when cooking on a gas cooker.



- The manufacturer refuses to accept any responsibility for damages arising to the cooker hood or your property from a failure to observe the fire safety advice contained in this instruction booklet.

- Remember that when in extraction mode, your cooker hood is removing air from the room it is installed in. Ensure that proper ventilation measures are being observed. **Note that it removes odours from the room, not steam.**
- **Warning - Always ensure that the cooker hood has been disconnected from the power supply before carrying out any work on the hood, including cleaning and replacing light bulbs.**



- Do not connect the ducting system of this appliance to any existing ventilation system which is being used for any other purpose.
- Do not install the appliance above a cooker with a high level grill.

- Never leave frying pans unattended during use as overheated fats and oils might catch fire.



- Never flambé cook under this cooker hood.
- The cooker hood should not be exposed to a direct heat source from the cooking device underneath it, i.e. naked flame from a gas burner or heat from electric hob zones without a pan on them.
- Do not attempt to use the cooker hood if it is damaged in any way. Never attempt to use it without the grease filters fitted or if the filters are excessively greasy!
- The lights on this appliance should only be used during operation of the cooker hood. They should not be left on permanently and used as a lighting source.

THE MANUFACTURER DECLINES ALL RESPONSIBILITY IN THE EVENT OF FAILURE TO OBSERVE THE INSTRUCTIONS GIVEN HERE, FOR INSTALLATION, MAINTENANCE AND SUITABLE USE OF THE HOOD.



Specifications of your cooker hood

Congratulations on purchasing a Baumatic Cooker Hood!

PRODUCT DIMENSIONS

Height (with chimney): 590 mm – 1090 mm
Width: 900 mm
Depth: 490 mm

CHIMNEY DIMENSIONS

260 mm x 263 mm

Your cooker hood is fitted with:

- High extraction tangential motor
- Electronic pushbutton control operation
- Mark resistant coating FASTEEL
- 4 Speeds
- 2 Stainless steel grease filters
- 2 halogen lights

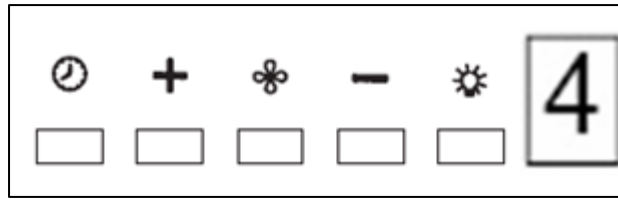
Extraction capacity: 800 m³/hr

Optional Extra: 1 x SCS14 carbon filter for air recirculation mode

Using your Baumatic cooker hood

The control panel

- Make sure that it has been installed by a suitably qualified person, as per the information contained in Baumatic's installation instructions.
- Find the control panel, which is located at the front of the cooker hood.
- There are several buttons on the control panel, which perform separate functions.



 (Timer button)

 (Increase speed)

 (On/off button)

 (Decrease speed)

 (Light ON/OFF button)

 (LCD display)



IMPORTANT: IDEALLY YOU SHOULD TURN ON YOUR HOOD TEN MINUTES BEFORE YOU START TO COOK, OR AT THE VERY LEAST WHEN YOU BEGIN COOKING. YOU SHOULD ALSO RUN YOUR HOOD FOR TEN MINUTES AFTER YOU HAVE FINISHED COOKING.

Controlling your cooker hood

- Use the ON/OFF button to switch the cooker hood on.
- Use the plus and minus buttons to regulate the speed that the motor is running at.
- The speed level that you have selected will appear on the LCD display.
- To switch the cooker hood off, press the ON/OFF button again.

The timer button

- If you press the timer button whilst the cooker hood is in operation, then it will countdown for 15 minutes.
- During the countdown the light around the timer button will flash.
- When the countdown has finished the cooker hood will switch off.
- If you press the timer button again during the countdown, the light around the timer button will go out and the cooker hood will return to normal operation.

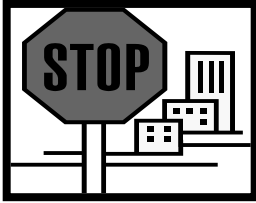
Grease filter maintenance reminder

- After approximately 30 hours of operation, the timer button will glow red. This means that the grease filters need to be cleaned.
- You should follow the grease filter cleaning operation that is outlined on pages 11-12 of this instruction booklet.
- When the grease filters have been put back in position, turn on the hood and then hold down the timer button until the red light goes out.
- Turn the hood off and then back on again, to check that the alarm has been reset.
- **IMPORTANT:** *The grease filter should be cleaned at the time intervals suggested on page 11. You should not wait until the maintenance alarm activates before cleaning the grease filter.*



IMPORTANT: TO MAINTAIN THE CORRECT FUNCTIONING OF THE CONTROL PANEL, WE RECOMMEND THAT YOU REGULARLY CLEAN THIS AREA.

Cleaning your Baumatic cooker hood



IMPORTANT: BEFORE CLEANING, ALWAYS ENSURE THAT YOU HAVE SWITCHED YOUR COOKER HOOD OFF AT THE OMNI-POLAR SWITCH, SET AT THE WALL FROM THE CABLE.

Cleaning

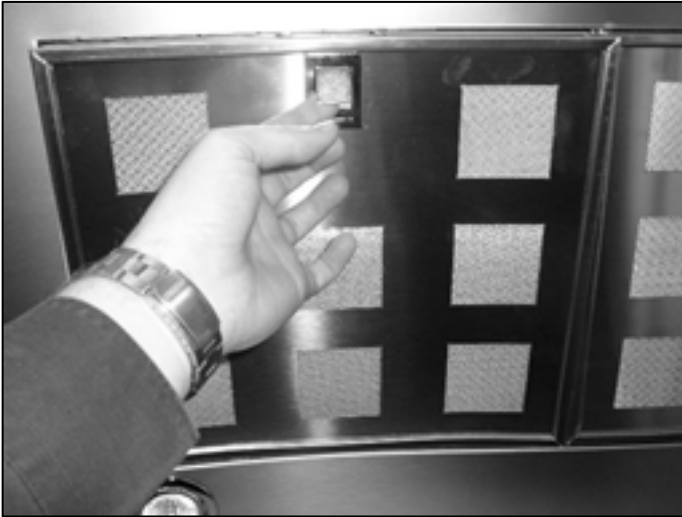
- Clean the external parts of your cooker hood with mild liquid detergent and a new damp cloth.
- Never use abrasive powder, corrosive solvents or brushes.
- Never insert pointed objects into the motor's protective grid.
- Only clean the control panel and grease filter grill with mild liquid detergents and a new damp cloth.
- If you are using the appliance in recirculation mode, then be sure to replace the carbon filter at the recommended interval (see section on "Fitting the carbon filter"). A build up of grease could cause a fire hazard.
- Never attempt to clean the area above the grease filters.

The grease filters

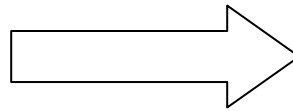
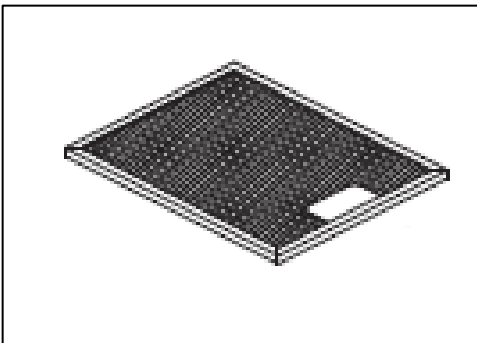
- Your cooker hood includes grease filters which help to absorb grease particles, to protect your kitchen & furniture from greasy residues.
- These metallic filters may become flammable if they become saturated with this greasy residue.
- To prevent a fire hazard, the filters should be cleaned regularly. Depending on use, this should be done every 10-15 days or at least once a month, using hot water and normal washing-up detergent.
- **DO NOT WASH THE GREASE FILTERS IN A DISHWASHER.**

Maintenance

Removing and cleaning the grease filters



- Remove a grease filter by lifting up the catch and then pulling the filter away from the hood.

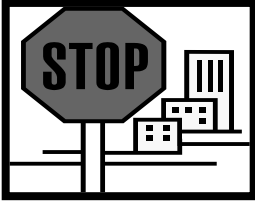


- Soak the grease filters in hot water and washing up liquid for about an hour.
- Rinse them off thoroughly with hot water.
- Repeat the process if required.

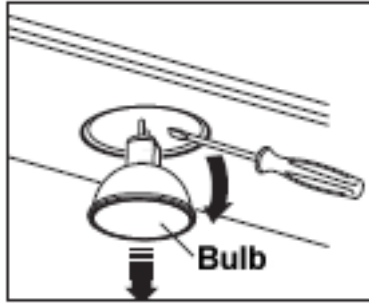


- Refit the grease filters once they have dried.
- **IMPORTANT:** *Let the grease filters dry thoroughly before refitting them in the cooker hood.*

Changing a light bulb



IMPORTANT: BEFORE ATTEMPTING TO CHANGE A LIGHT BULB, YOU MUST ENSURE THAT YOU HAVE DISCONNECTED THE COOKER HOOD FROM YOUR MAINS SUPPLY.



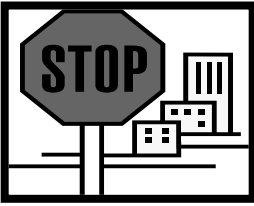
- Prior to touching the light bulbs ensure they are cooled down.
- Find the bulb that requires replacement, you will find it located in the light fixture which is on the underneath of the cooker hood.



- Using a flat tipped screwdriver, remove the bulb and insert a new GU4 12V 20W (max) bulb.
- **IMPORTANT:** Defective bulbs should be replaced immediately.
- If the light or lights still do not work, make sure that the lamps are fitted properly into their housings before you call for technical assistance.

Fitting the carbon filter

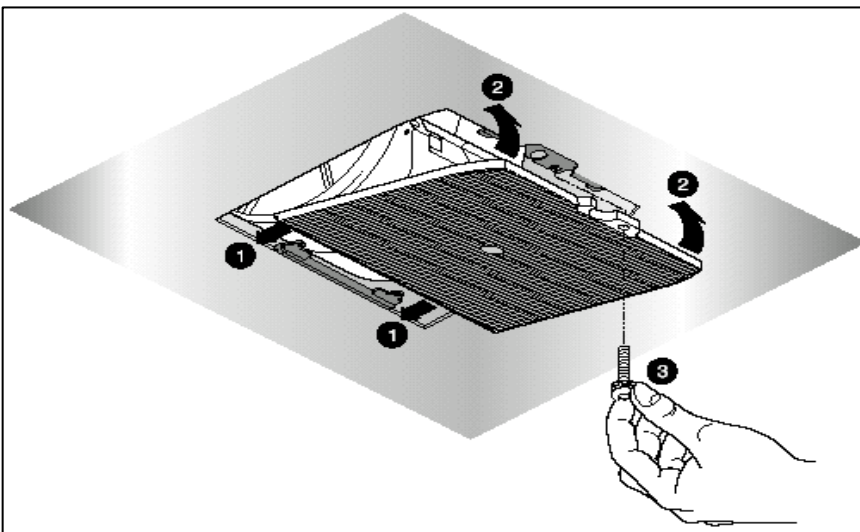
If the appliance is going to be used in recirculation mode then it is necessary to fit a carbon filter. This will help to absorb unpleasant odours caused by cooking.



IMPORTANT: BEFORE ATTEMPTING TO FIT OR REMOVE THE CARBON FILTER, YOU MUST ENSURE THAT YOU HAVE DISCONNECTED THE COOKER HOOD FROM YOUR MAINS SUPPLY.



- Remove the grease filters.



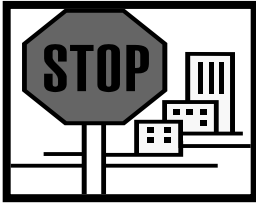
1) Locate the SCS14 carbon filter into the slots on the cooker hood, below the motor.

2) Push the other side of the filter upwards until it clicks into place.

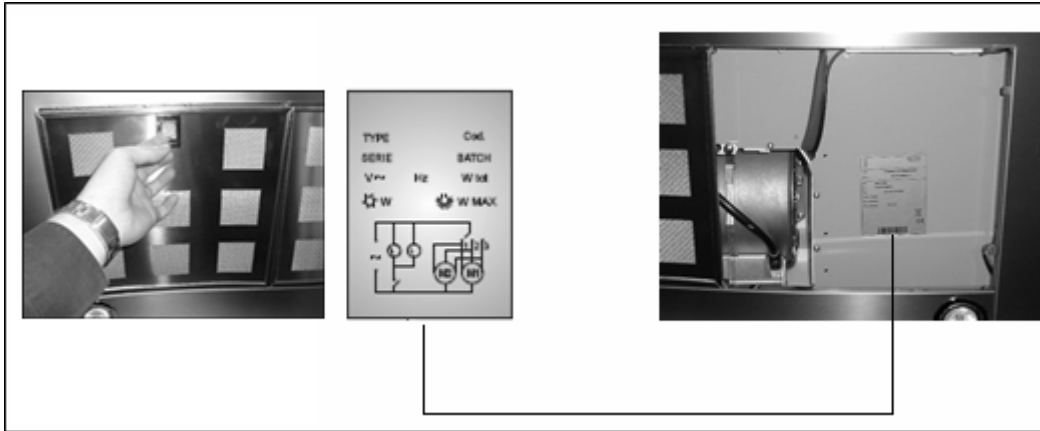
3) Securely tighten the screw through the hole in the SCS14 carbon filter and the corresponding hole in the underneath of the cooker hood.

- Refit the grease filters.
- The carbon filter should be replaced every three months or if it shows signs of damage.

Installation



IMPORTANT: Before installation and usage read all the instructions and make sure that the voltage (V) and the frequency (Hz) indicated on the rating plate are exactly the same as the voltage and frequency in your home. The rating plate can be found behind the grease filters.



The manufacturer declines all responsibility in the event of the installer failing to observe all the accident prevention regulations in force, which are necessary for normal use and the regular operation of the electric system.

Electrical connection

YOUR COOKER HOOD IS INTENDED FOR FITTED AND PERMANENT INSTALLATION.



- The power cable must be connected to the terminals marked L (live) and N (neutral) in the hood and fixed with a cable clamp.
- The cooker hood's power cable must be fitted upstream from the electrical connection, using an omni-polar switch with a contact distance of at least 3 mm.

WARNING: THIS APPLIANCE MUST BE EARTHED. It should only be connected by a competent person, using fixed wiring via a double pole switched fused spur outlet. ***(UK ONLY).***

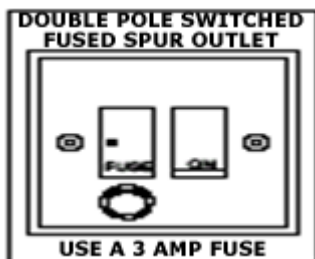


We recommend that the appliance is connected by a qualified electrician, who is a member of the N.I.C.E.I.C. and who will comply with the I.E.E. and local regulations. The wires in the mains lead are coloured in accordance with the following UK code:

Blue = Neutral, Brown = Live, Green/Yellow = Ground

If you only find two wires in the main's lead (blue and brown), then neither must be connected to the earth terminal.

- As the colour of the wires in the appliance's mains lead may not correspond with the coloured markings identifying the terminals in your spur box, please proceed as follows:



- The ***blue wire*** must be connected to the terminal marked "N" (neutral), or coloured ***black***.
- The ***brown wire*** must be connected to the terminal marked "L" (live), or coloured ***red***.

Before beginning installation

- Check that the product purchased is of a suitable size for the chosen installation area. In addition check whether there is an electrical socket available that will be accessible once the hood is mounted. If the product is going to be used in extraction mode, then there should also be space to connect a ducting hose to the outside.
- Carry out all necessary masonry work prior to the fitting of the cooker hood.
- Ensure that all electrical connections are carried out by a suitably qualified person.
- Before commencing installation of the cooker hood the grease filters should be removed.
- Check the inside of the product and ensure that there is no transit packaging or any other materials, such as packets of screws, guarantees etc. These should be removed and kept for future use.
- If possible, disconnect and move freestanding or slot-in cookers from their position, to provide easier access to the rear wall and ceiling. If this is not possible, then a thick, protective covering should be placed over the worktop, hob top or cooker. This will help to protect these surfaces from damage and debris.
- Select a flat surface for assembling the cooker hood. Cover that surface with a protective covering and place all cooker hood parts and fittings on it.
- Rawl plugs are provided to secure the hood to most types of walls and ceilings. However a qualified technician must verify the suitability of the materials, in accordance with the type of wall and ceiling. The wall and ceiling must be strong enough to take the weight of the hood.
- Do not tile, grout or silicone this appliance to the wall. This appliance is designed to be surface mounted only.
- Remove any protective wrapping that has been put on the cooker hood or chimney sections, to protect them during transit.

Extraction mode or recirculation mode?



IMPORTANT: YOU WILL HAVE TO DECIDE BEFORE INSTALLING YOUR COOKER HOOD WHETHER TO USE IT IN EXTRACTION MODE OR RECIRCULATION MODE.

What is the difference between extraction and recirculation modes?

In extraction mode, the stale air will be taken out of the room via external ducting.

In recirculation mode stale air is taken via the grease filter, and passed through a charcoal filter for purification. The air then re-enters the kitchen via an opening in the hood.

For optimum performance, we recommend that the cooker hood is used in extraction mode and connected to external ducting.

Unfortunately if you live in a flat or the hood is too far from an outside wall, this may not be possible. The only alternative is to recirculate the air.

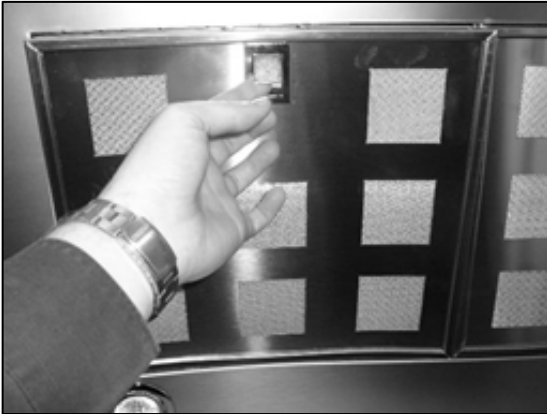
Do I need a charcoal filter?

All cooker hoods have grease filters but if you are using your cooker hood in recirculation mode, then a charcoal filter must be fitted in addition to the grease filters.

Installing your cooker hood

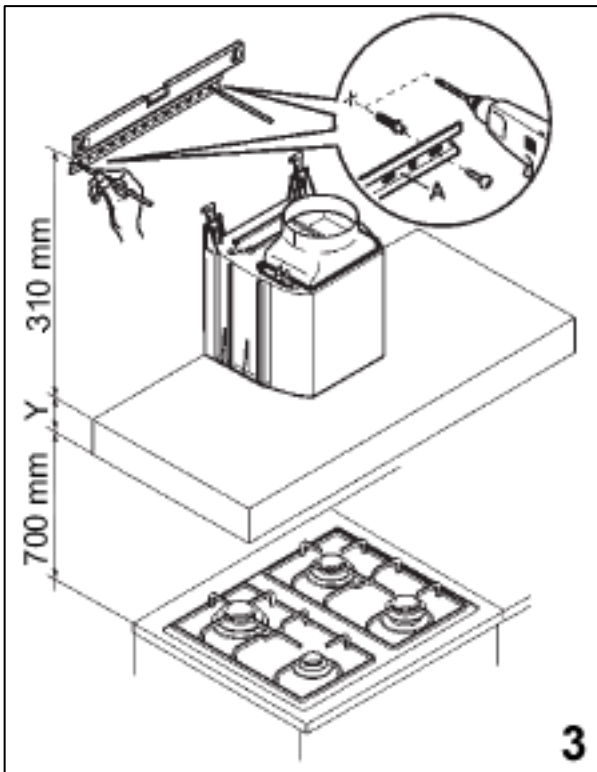
- **We recommend that at least two people install this hood.**

IMPORTANT: YOUR COOKER HOOD SHOULD BE CONNECTED TO YOUR MAINS SUPPLY AFTER THE REST OF THE INSTALLATION PROCESS HAS BEEN COMPLETED.

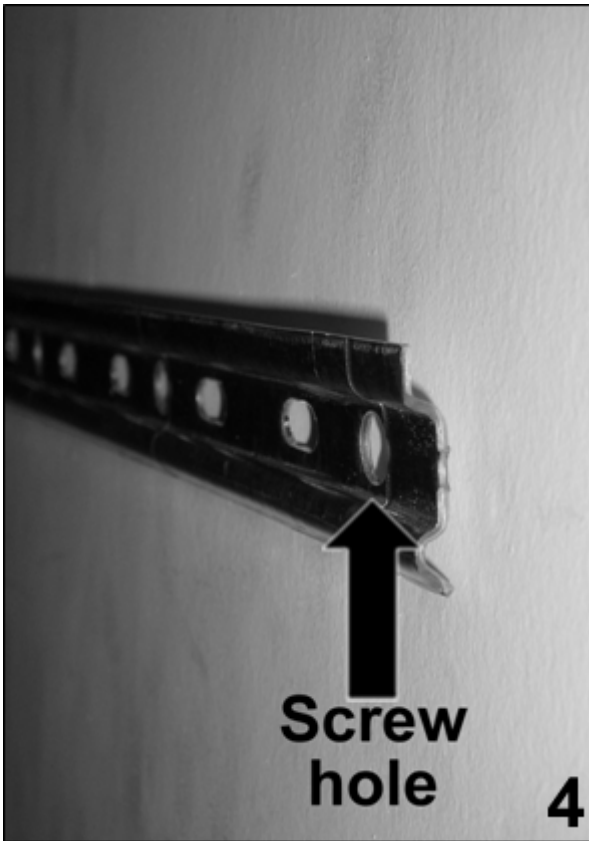


- 1)** Remove the metal grease filters.

- 2)** The mounting bar that you hang the hood on can be found on the side of the housing motor or in the package that contains the fixing screws and instruction manual.

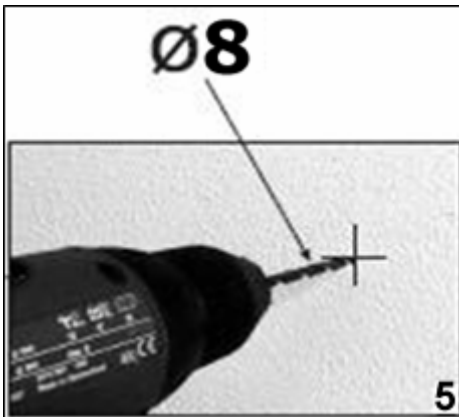


- 3)** Measure a distance of 700 mm from the hob top that will be underneath the cooker hood. Then measure out a further 310 mm above the height of measurement Y (Y being the thickness of the canopy section of the cooker hood).

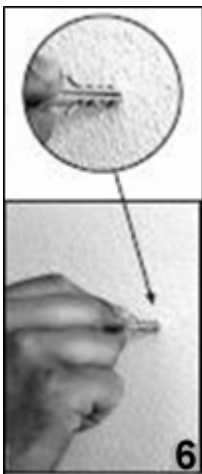


4) Using a pencil, mark the centre of the wall where the cooker hood will be installed. Place the mounting bar against the wall and ensure that the middle of it is placed on the centre mark.

- Use a pencil to mark the position of where the screw holes will be drilled.
- Use a spirit level to ensure that the two markings are horizontally level.



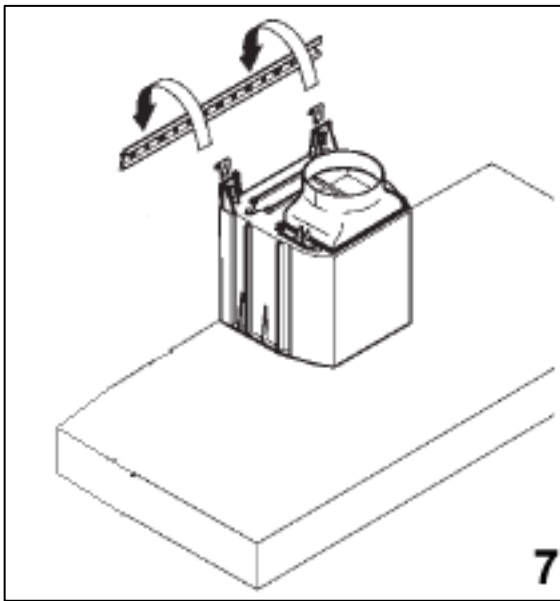
5) Using a drill bit with an 8 mm diameter, make holes in the wall on the positions that you marked in step 4.



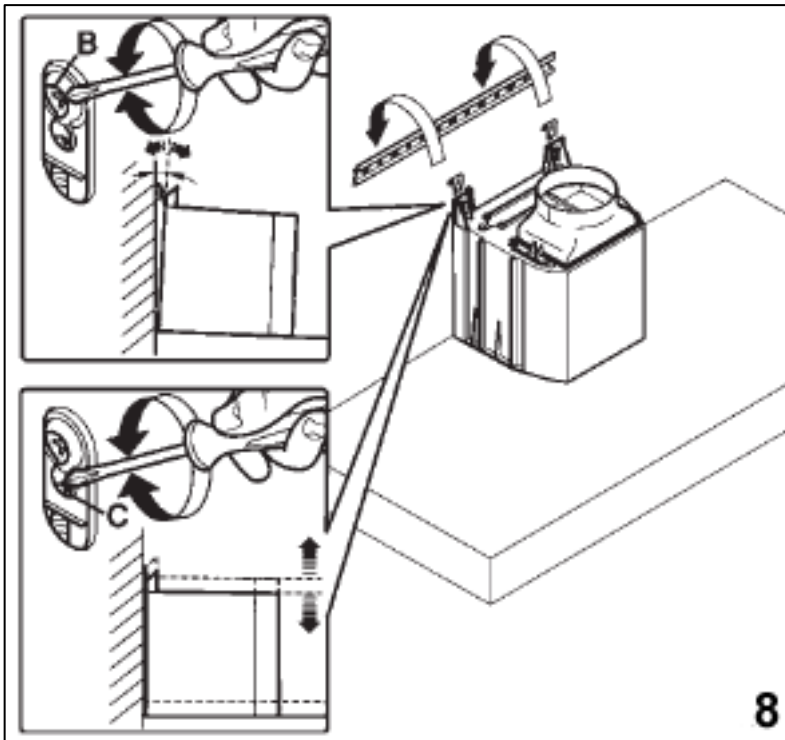
6) Insert rawl plugs into the two holes that you have just drilled.

- Screw the mounting bar to the wall using 2 x 8 mm screws.
- ***IMPORTANT: You must make sure that the mounting bar is the right way up and the right way around. Please see picture 4 if you are unclear of the correct position for the mounting bar.***

- Fully tighten these screws to fix the mounting bar to the wall.

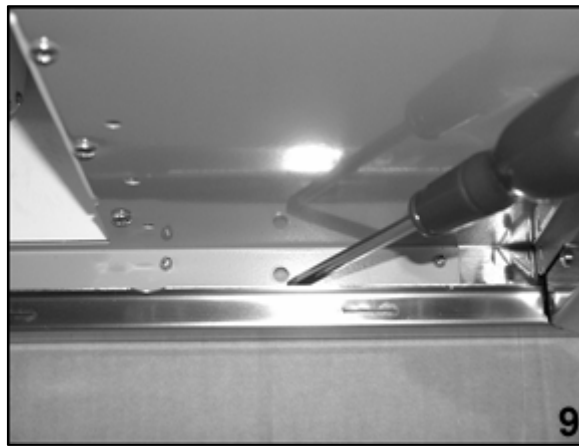


7) Hook the hood onto the mounting bar.

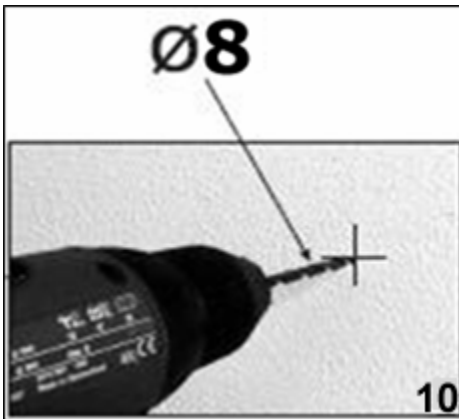


8) If required you can adjust the alignment of the cooker hood using the screws on the brackets that hook over the mounting bar.

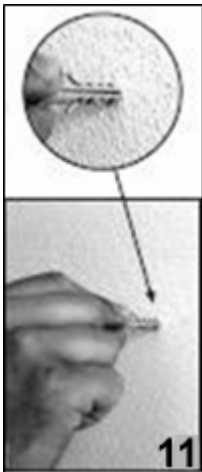
- The top screw (B) adjusts the distance from the wall and the bottom screw (C) adjusts the height.



9) Mark the position of the lower screw holes that need to be drilled out in step 10. The holes can be found immediately below the motor housing. (The position of one of the holes is indicated in the above photograph by the screwdriver).



10) Remove the hood from the mounting bar and then using a drill bit with an 8 mm diameter, make holes in the wall on the positions that you marked in step 9.

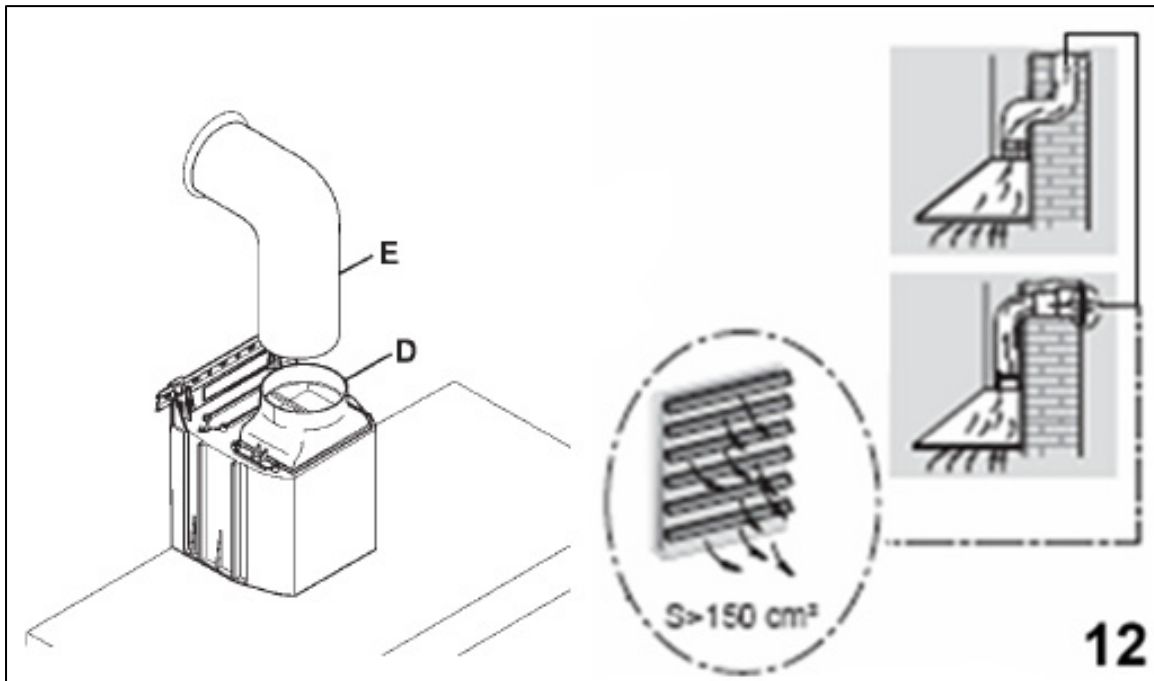


11) Insert rawl plugs into the holes that you have just drilled.

- Follow steps 7 and 8 again (i.e. rehang the hood on the mounting bar and then adjust its angle and height, so that the drilled holes line up with the lower holes inside the hood again).
- From the inside of the hood, tighten screws into the holes that you drilled in step 10.

- **IMPORTANT: You must fully tighten these screws, as they assist in fixing the hood to the wall.**

Connecting to external ducting

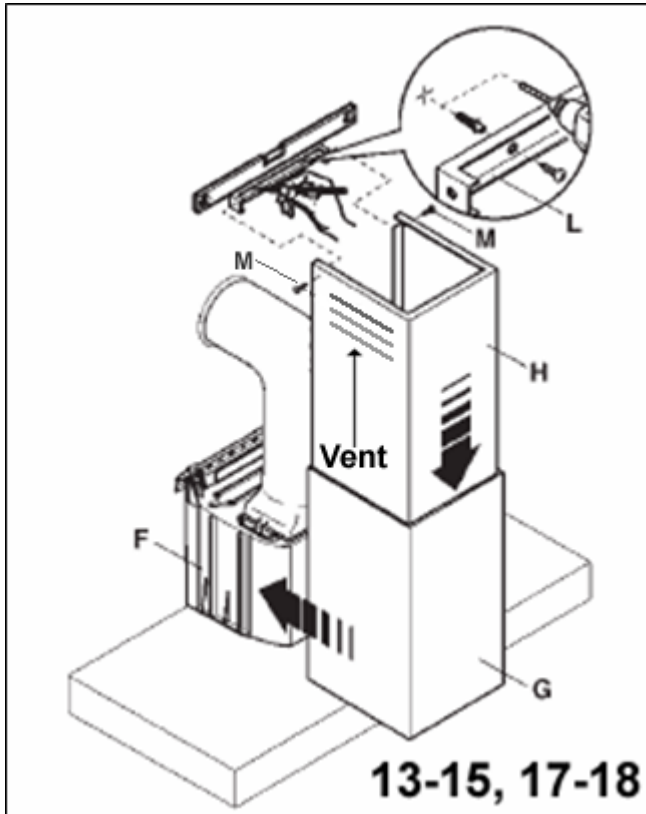


12) Connect the coupling (**D**) to the top of the cooker hood.

- You may find an anti-draft flap included with the fixtures and fittings for the cooker hood. You should sit this in the top of the coupling.
- Connect a 125 mm ducting hose (**E**) to the coupling. Please note that the ducting hose is not supplied with the appliance.*
- The other end of the ducting hose should be connected to a discharge outlet that is suitable for cooking vapours. It should have a cross section of at least 150 cm².
- The maximum distance between the coupling and your discharge outlet should be 3 metres, with one 90 degree bend.

* It is possible to purchase a ducting kit from the Baumatic Spares Department (either the DK5 or DK10).

Fitting the chimney



13) Separate the two chimney sections (**G** and **H**).

- Rest the bottom of chimney section **G** on the top of the hood. Making sure that the holes at the bottom of it, line up with the securing holes on top of the motor housing.
- If you want to install the appliance at its minimum height (i.e. only using one section of chimney), then you should complete steps 14-18 using chimney section **G** only.

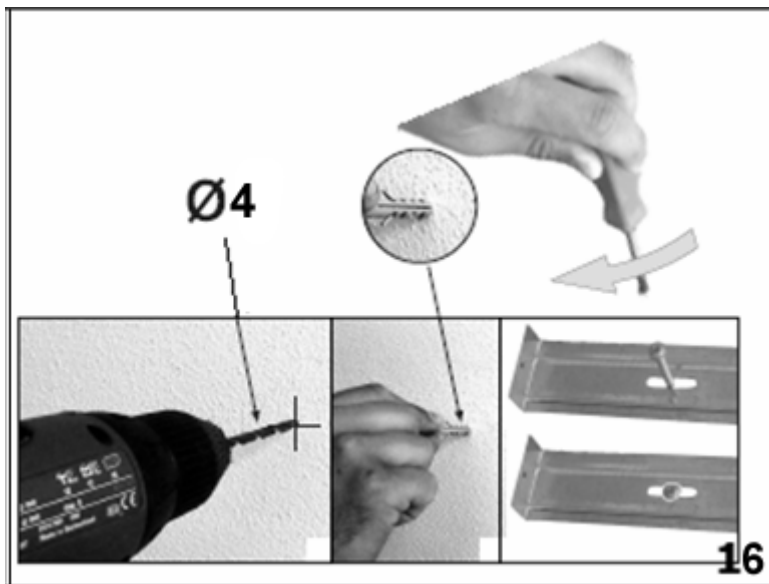
14) Lift chimney section **H** upwards to the desired height. You must ensure that it is perpendicular to the hood.

- Mark the side measurement of both sides of chimney section **H** on the wall with a pencil and then remove chimney sections **G** and **H**.

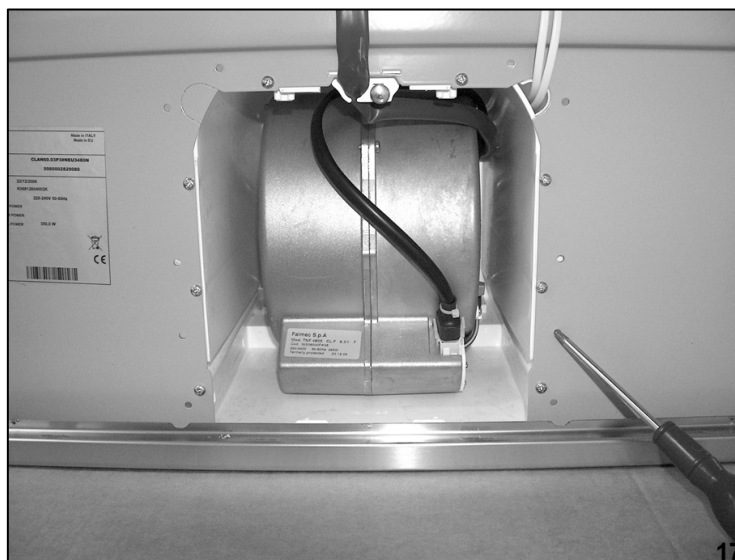


15) Take the fixing bracket (**L**) and place it between the two pencil marks that you made in step 14. Use a spirit level to ensure that the bracket is level before marking the position of the screw holes.

- Keeping the bracket in contact with the wall, use a pencil to mark the position of the holes at either end of the bracket on the wall.



16) Using a 4 mm drill bit, drill out holes on the pencil markings that you made in step 15. Insert rawl plugs into the holes and then use a screwdriver to secure the fixing bracket to the wall.



17) Place chimney section **G** back onto the hood.

- Make sure that the holes in the bottom of chimney section **G** line up with the securing holes on top of the main body of the motor housing.
- From inside of the motor housing, screw chimney section **G** to the hood. You should make sure that you fully tighten these screws.
- Slide chimney section **H** back inside of chimney section **G** (unless you are installing the cooker hood at its minimum height and only using the lower chimney section).

- **IMPORTANT:** Make sure that the vent on either side of chimney section **H** is pointing upwards and not inside of chimney section **G**.

18) Lift chimney section **H** up to the fixing bracket that you secured to the wall in step 16. Secure it to the fixing bracket using the screws provided. Make sure that these screws are fully tightened.

- If you are installing the appliance at its minimum height, then you should connect chimney section **G** to the fixing bracket.

Electrical connection

The electrical connection must correspond to the electrical requirement noted on the rating plate, which is placed inside of the cooker hood. The appliance should be connected to the electrical supply. See pages 16 – 17 for detailed information on the electrical connection.



Refit the grease filters and then switch on the mains supply to the appliance. Press the ON/OFF button and check that the appliance is operating correctly.

Troubleshooting

IMPORTANT: If your cooker hood appears not to be operating properly, before contacting the Baumatic Service Department, please refer to the checklist below.



My cooker hood will not start.

- Check that the hood is connected to the power supply and whether you have selected any of the fan speeds.



My cooker hood is not working effectively.

- Check that fan speed is set to an appropriate setting.
- Check that the grease filter is not dirty and if it requires cleaning.
- If the hood is set up for recirculation mode, check that the carbon filters do not need to be replaced.
- If the hood is set up for extraction mode, check that the ducting hose and discharge outlet are not blocked.



My cooker hood is noisy and/or vibrating.

- Check whether the installation has been completed as per the instruction booklet.
- It is normal to get a certain amount of noise and vibration, due to the extraction capacity of the cooker hood.

DO NOT MAKE ANY ATTEMPT TO REPAIR THE APPLIANCE YOURSELF. IF THE APPLIANCE IS STILL NOT OPERATING CORRECTLY, PLEASE CONTACT THE BAUMATIC SERVICE DEPARTMENT ON TELEPHONE NUMBER (0118) 933 6911.



United Kingdom

Baumatic Ltd.,
Baumatic Buildings,
6 Bennet Road,
Reading, Berkshire
RG2 0QX
United Kingdom

Sales Telephone

(0118) 933 6900

Sales Fax

(0118) 931 0035

Customer Care Telephone

(0118) 933 6911

Customer Care Fax

(0118) 986 9124

Spares Telephone

(01235) 437244

Advice Line Telephone

(0118) 933 6933

E-mail:

sales@baumatic.co.uk
customercare@baumatic.co.uk
spares@baumatic.co.uk
technical@baumatic.co.uk

Website:

www.baumatic.co.uk

Republic of Ireland

Service Telephone

1-890 812 724

Spares Telephone

091 756 771

Czech Republic

Baumatic CR spol s.r.o.
Průmyslová zóna Sever 696
460 11 Liberec 11
Czech Republic

+420 483 577 200

www.baumatic.cz

Slovakia

Baumatic Slovakia, s.r.o.
Galvániho 7/D
Slovakia

+421 255 640 618

Germany

Baumatic GmbH
Lilienthalstrasse 1
320 52 Herford
Deutschland

+49 5221 694 99-0

www.baumatic.de

Italy

Baumatic Italia S.R.L.
Via Galvani N.3
35011 Campodarsego (PD)

+3904 9920 2297

www.baumatic.it

Holland

Baumatic Benelux B.V.
Grindzuigerstraat 22
1333 MS ALMERE
Nederland

+3136 549 1555

www.baumatic.nl

