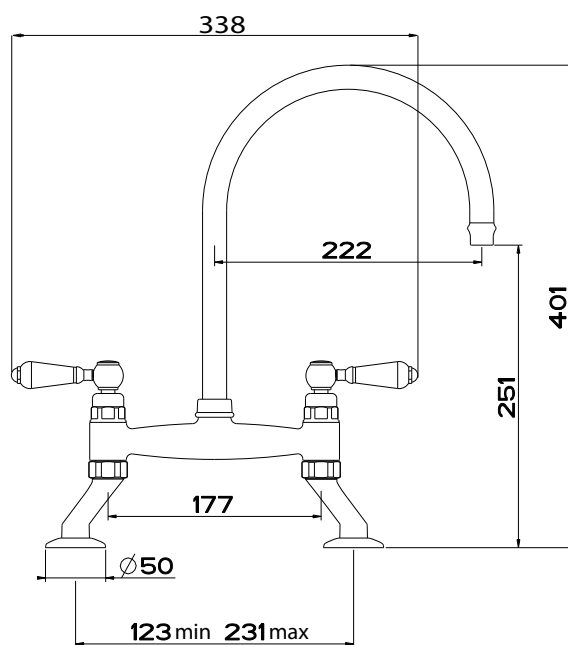


# FRANKE SPECIALIST RANGE

## RIALTO TAP

Installation Instructions



## Guarantee

Your Franke mixer has been manufactured to the high standard you would expect of any Franke product but in the unlikely event that you should experience any defect in the materials or workmanship within one year of purchase, we will replace the faulty part free of charge. This is provided the mixer has only been used for normal domestic purposes in the UK and that the care, installation and maintenance instructions have been observed.

You should also retain your dated invoice as proof of purchase to validate any claims under our guarantee.

This one year guarantee is extended to five years in the case of the valve mechanism.

Normal wear and tear is excluded from the guarantee.

Decorative surface finishes are guaranteed for five years from the date of purchase provided our advice concerning care has been observed and no scouring agents have been used.

Scuffs and scratches caused by improper installation or accidental damage are not covered by this guarantee. Neither are slight shade variations or any damage or defect caused by incorrect installation or abuse of the fitting.

## Design

These mixers are available in Chrome and SilkSteel colour finishes.

## Service

In the event of parts or service being required, please contact:

**Central Services** Telephone 01782 599 258 or  
**South Services** Telephone 0844 800 3346

## Preparation

First shut off your water heating system then, with your mains stopcock closed, open the lowest hot and cold taps in the house and allow to run until the cold storage tank and pipes are empty (the hot water storage cylinder always remains full).

## Installation

Having attached angled pillars using the rubber washers, place sink mixer in position to see if any alteration to the existing supply pipework is necessary. Fully hand tighten the nuts.

After making any necessary alterations to the pipework, check that the mixer body is correctly positioned. Hot water should be connected to the left when viewed from the front.

Tightening the nut between legs and body, ensure that the washer (supplied) is in place and nuts are fully tightened to avoid leaks. Also, prevent scuffing by protecting the nut with a soft cloth when tightening with a spanner.

Pass the rosette and rubber washer over each leg. Put the tap in position, forming a seal on the sink or worktop.

Pass the other rubber washer and plastic nut over each leg and fully tighten.

## Attention

Before installing the new mixer it is essential that you thoroughly flush through the supply pipes in order to remove any remaining swarf, solder or other impurities.

Failure to carry out this simple procedure could cause problems or damage to the workings of the mixer.

Having first checked all new connections, turn on the mains stop cock, close all taps except the new mixer and as the system starts to refill check for leaks.

Once you have satisfied yourself that there are no leaks, switch on the water heating.

**Warning**

These hints have been prepared for your guidance, you must exercise due care at all times. We do not accept responsibility for any problems that may occur through incorrect installation.

**How to care for your kitchen sink mixer**

To maintain the appearance of this fitting, ensure it is cleaned only using a clean, soft damp cloth. A solution of warm water and mild liquid detergent may be used where necessary, and then the fitting rinsed thoroughly. Abrasive cleaners or acidic cleaners **MUST NOT BE USED** under any circumstances. Avoid contact with all solvents.

**Technical Data**

Maximum water pressure: 75 PSI (5 bar)  
 Maximum hot-water temperature: 70°C  
 Recommended hot water temperature: 65°C

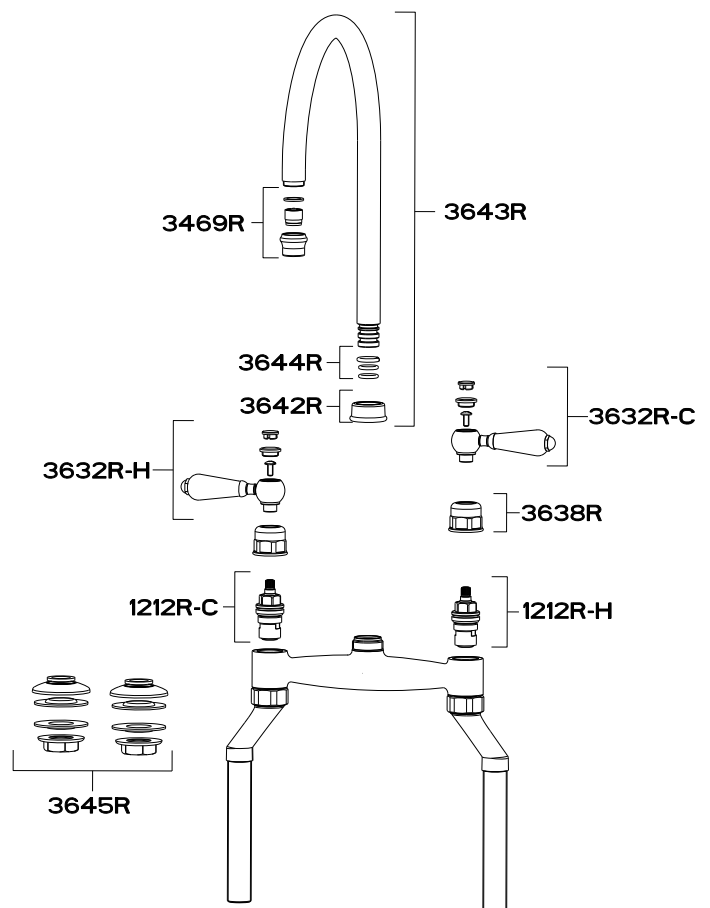
**Note: If these temperatures or water pressures are exceeded damage to the tap can result.**

**A pressure reducing valve may be required to be fitted in high water pressure situations.**

**NB** If for any reason the spout is removed from the tap, care must be taken when reinserting the spout into the body to ensure that the Grub Screw is located in the **split** of the white PTFE ring.

**PARTS LIST AS FOLLOWS:**

133.0194.148	ANTISPLASH CHROME	3469R CH
133.0194.149	ANTISPLASH SILKSTEEL	3469R SS
133.0194.151	O-RING KIT	3644R
133.0194.152	SPOUT CHROME	3643R CH
133.0194.153	SPOUT SILK STEEL	3643R SS
133.0194.075	HANDLE HOT CHROME	3632R-H CH
133.0194.076	HANDLE COLD CHROME	3632R-C CH
133.0194.078	HANDLE HOT SILKSTEEL	3632R-H SS
133.0194.079	HANDLE COLD SILKSTEEL	3632R-C SS
133.0194.146	VALVE COVER CHROME	3638R CH
133.0194.147	VALVE COVER SILKSTEEL	3638R SS
133.0069.960	HOT VALVE	1212R-H
133.0069.959	COLD VALVE	1212R-C
133.0194.155	FIXING KIT CHROME	3645R CH
133.0194.156	FIXING KIT SILKSTEEL	3645R SS
133.0194.157	FIXING NUT CHROME	3642R CH
133.0194.158	FIXING NUT SILKSTEEL	3642R SS



Franke UK Limited  
West Park, MIOC  
Styal Road  
Manchester  
M22 5WB  
Phone +44 (0)161 436 6280  
Fax +44 (0)161 436 2180  
Email [info.uk@franke.com](mailto:info.uk@franke.com)  
**[www.franke.co.uk](http://www.franke.co.uk)**

Service & Spares:  
**Central Services** 01782 599 258  
[mail@central-servicesuk.co.uk](mailto:mail@central-servicesuk.co.uk)  
[www.central-servicesuk.co.uk/shop](http://www.central-servicesuk.co.uk/shop)

**South Services** 0844 800 3346  
[sales@south-services.co.uk](mailto:sales@south-services.co.uk)  
[www.south-services.co.uk](http://www.south-services.co.uk)



KITCHEN  
SYSTEMS