

NYLON DRAIN TESTING PLUGS

Nylon pipe plugs are suitable for a myriad of applications. They are mostly used for weld testing, leak testing of pipework fabrications, weld purging or simply stopping to prevent the ingress of dirt, rodents and other unwanted material. However there are over 100 different applications for these plugs.

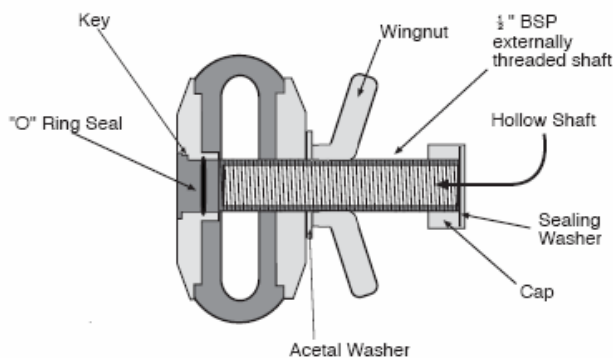
These plugs are constructed from injection moulded nylon components and rubber rings. They have the advantages of being light, non rusting easy to expand and can be dismantled for cleaning purposes. The grade of nylon chosen is pure nylon 6 which has considerable wear characteristics and makes them stronger and more robust than other plastic plugs.

These plugs will provide airtight seals and in tests with plastic pipes are capable of sealing against pressures from 60 psi - 4 bar, to over 100 psi - 7 bar. Effective sealing is simple, insert the plug into a pipe opening and tighten the wing nut clockwise. The rubber ring will expand and provide a positive seal. To remove simply reverse the process.

Applications

They are in normal usage for plumbing operations in a wide variety of industries, including domestic and industrial water and drainage systems. Also for ducting and conduit, plastic pipe bending, swimming pools, masking in painting and casting industries and many others.

TECHNICAL INFORMATION



Aluminium plates steel stem	Diameter in	Diameter range mm	Max. allowable back pressure psi	Max. allowable back pressure bar	Outlet in BSP
--------------------------------	----------------	----------------------	-------------------------------------	-------------------------------------	------------------

Nylon plates – nylon stem

1375Q	1½	37–45	44.0	2.99	½
1376T	2	48–62	37.0	2.50	½
1380F	2½	62–70	34.5	2.34	½
1377W	3	71–87	33.0	2.24	½
1378Z	4	92–107	29.0	1.97	½
1379C	6	140–165	24.0	1.62	½

