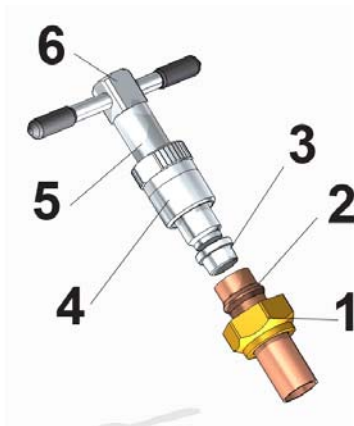


PRODUCT INSTRUCTIONS

Product Code : **2035Q** Description : **15mm Olive Remover**

INSTRUCTIONS

This tool is suitable to remove olives from most 15mm compression fittings.
Prior to use, ensure pipe end is clean, burr free and not distorted.



REMOVAL OF 15MM OLIVES

Retract the **Spindle(5)** in the **15mm Body(4)** until it stops. Fit the **15mm Pusher(3)** into the end of the pipe. Fit **15mm Body** onto the 15mm pipe and tighten the **Compression Fitting nut(1)** onto the **15mm Body**. Slowly rotate the **Spindle** using the **Tommy Bar** to pull the **Olive(2)** from the pipe. Remove the compression fitting nut and the olive will be contained in the **15mm Body**.

A ratchet can be fitted to the **Square End (6)**.

Note: Always use a new olive when refitting the compression fitting

UK PATENT GB2384456