

## PRODUCT INSTRUCTIONS

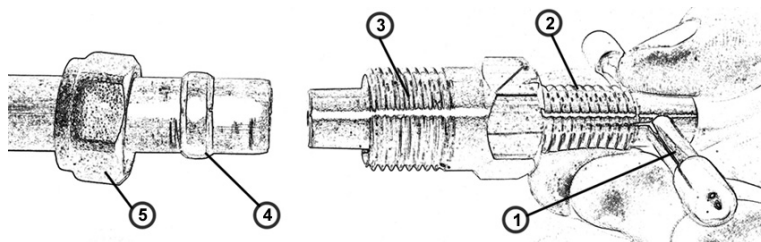
Product Code : **2036T** Description : **15mm & 22mm Olive Remover**

### INSTRUCTIONS

This tool is suitable to remove olives from most 15mm and 22mm compression fittings.  
Prior to use, ensure pipe end is clean, burr free and not distorted.

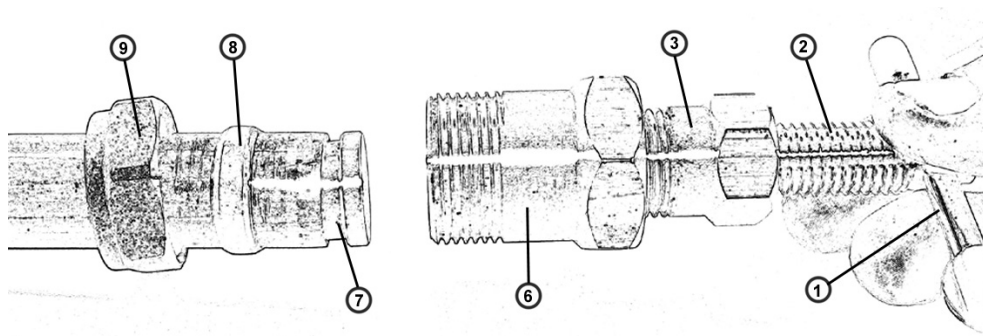
#### REMOVAL OF 15MM OLIVES

Set the **Spindle(2)** into the **15mm Body(3)**, retract the **Spindle** until it stops, fit onto 15mm pipe and tighten the compression fitting nut(5) onto the **15mm Body**. Slowly rotate the **Spindle** using the **Tommy Bar(1)** to pull the olive(4) from the pipe. Remove the compression fitting nut and the olive will be contained in the **15mm Body**.



#### REMOVAL OF 22MM OLIVES

Retract the **Spindle(2)** in the **15mm Body(3)** until it stops. Set the **15mm Body** and **Spindle** into the **22mm Adaptor(6)**, fit the **22mm Pusher(7)** into the end of the pipe. Fit **22mm Adaptor** onto the 22mm pipe and tighten the compression fitting nut(9) onto the **22mm Adaptor**. Slowly rotate the **Spindle** using the **Tommy Bar(1)** to pull the olive(4) from the pipe. Remove the compression fitting nut and the olive will be contained in the **22mm**

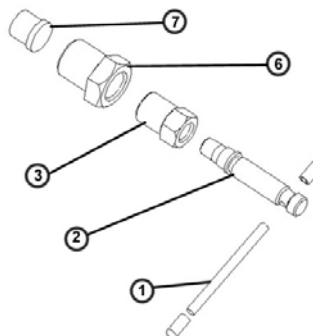


**Adaptor.**

**Note: Always use a new olive when refitting the compression fitting**

#### PARTS LIST (5 parts)

- (1) TOMMY BAR with END CAPS
- (2) SPINDLE
- (3) 15MM BODY
- (6) 22MM ADAPTOR BODY
- (7) 22MM PUSHER



UK PATENT GB2384456

