

PRODUCT INSTRUCTIONS

This Universal Dosing Tool Kit is designed for use on sealed and open-vented heating systems for quick and easy dosing with Aqueous Logic Rapid-Dose® products.

IMPORTANT

- Rapid-Dose® tools should only be used with Aqueous Logic Rapid-Dose® products.
- Read and fully understand the instructions prior to use.
- Before using any Rapid-Dose® tools or dosing points ensure that all seals are undamaged, clean and located correctly
- To ensure that no fluid escapes from the Rapid-Dose® can, only connect the can once the appropriate Rapid-Dose® tool is completely assembled and attached to either the filling loop or the radiator.
- Always wear protective goggles when dosing heating systems.
- To extend the life of your Rapid-Dose® dosing tools *always* rinse them in clean water before replacing in the box.



Dosing via 611G Filling Loop Adaptor

- Connect tool as shown in Figure 1 - **DO NOT OVER TIGHTEN.**
- Screw Rapid-Dose® can onto tool.
- Wait for approx 60 seconds for the can to dispense its contents.
- Remove the can and tool.
- Please dispose of the can responsibly - recycle if possible.
- Rinse the tool with fresh water to prolong its life.

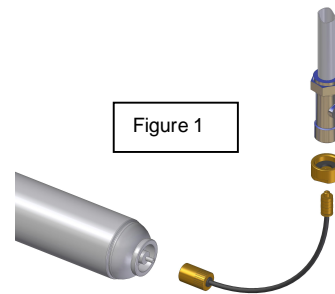


Figure 1

Dosing via 612J Radiator Dosing Point

- Close the radiator valves to isolate the radiator from the system.
- Fit the Radiator Dosing Point as shown in Figure 2, tight enough to avoid leaks. **DO NOT OVER TIGHTEN**
- Open the radiator valves.
- Remove the screw cap from the Radiator Dosing Point.
- Screw the Rapid-Dose® can onto the Radiator Dosing Point.
- Wait for approx 60 seconds for the can to dispense contents.
- Remove the can.
- Please dispose of the can responsibly - recycle if possible.
- Refit screw cap (secondary seal).

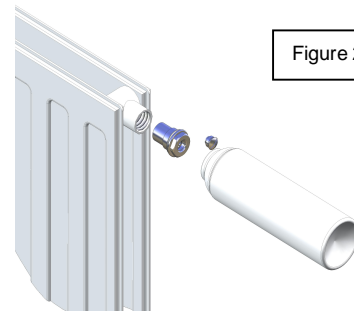


Figure 2

Dosing via M4, M5 or M6 Radiator Vent Pin Adaptors

- Close the radiator valves to isolate the radiator from the system.
- Remove the vent pin and replace with the correct vent pin adaptor . **DO NOT OVER TIGHTEN**
- Open the radiator valves.
- Remove screw cap from end of the vent pin dosing point with 3mm A/F hex key supplied and fit the tube assembly to the vent pin dosing point as shown in Figure 3.
- Screw Rapid-Dose® can to the tube assembly
- Wait for approx 60 seconds for the can to dispense contents
- Remove the can.
- Please dispose of the can responsibly - recycle if possible.
- Remove tube assembly and rinse with cold water to prolong its life.
- Once the chemical has had a chance to circulate, flush the vent pin dosing point by depressing the internal one-way valve GENTLY with the hex key.
- Refit screw cap (secondary seal).

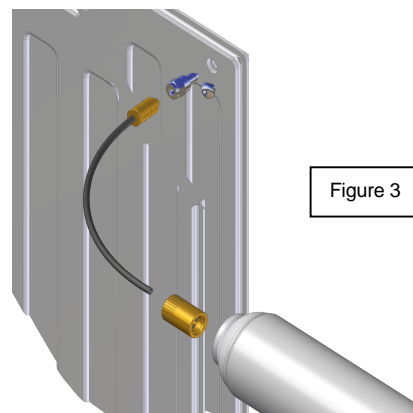
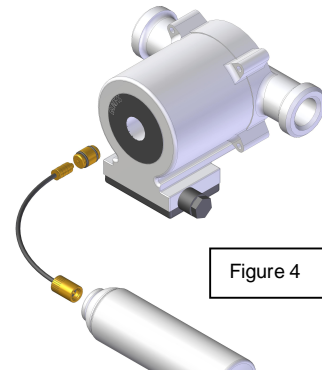


Figure 3

PRODUCT INSTRUCTIONS

Dosing via the Re-Circulating Pump

- Close valves to isolate the pump from the heating circuit.
- Remove the cover plate from the pump and replace it with the pump dosing tool, with seal.
- Fit tube assembly to the tool.
- Screw Rapid-Dose® can to the tube assembly.
- Open valves to allow can to discharge.
- Wait approx 60 seconds for the can to dispense its contents
- Close valves to isolate pump again.
- Remove can and dispose of responsibly.
- Remove tube and tool, rinse in cold water to prolong its life.
- Refit cover plate to pump with seal in place.
- Open Valves to allow pump back into heating circuit
- Once the chemical has had a chance to circulate, flush any excess chemical from the pump by bleeding in the standard manner.



The Universal Dosing Tool Kit consists of :-

- 1 x Radiator Dosing Point (612J)*.
- 1 x M5 Female to 1/2" BSP Filling Loop Adaptor.
- 1 x 1/2" BSP to 3/8" BSP Filling Loop Reducing Bush (616V)*.
- 1 x Mini Can Adaptor.
- 1 x Barlo® & Quinn® Radiator Bleed Valve Adaptor M6.
- 1 x Stelrad® & HeatLine® Radiator Bleed Valve Adaptor M5.
- 1 x Myson® Radiator Bleed Valve Adaptor M4.
- 1 x 4mm Tube and M5 Connector Tube Assembly.
- 1 x 3mm Hex. Key.
- 1 x Re-circulating Pump Adaptor for Grundfos® pumps (626A)*.
- 1 x Re-circulating Pump Adaptor for Wilo®, Dab®, Terrier® pumps (628G)*.

*Also available separately :

- Filling Loop Adaptor (611G).
- Radiator Dosing Point (612J).
- Filling Loop Reducing Bush (616V).

Aqueous Logic Rapid-Dose® is a revolutionary new way of adding water treatment chemicals to domestic heating systems that is much quicker, easier and cleaner than conventional methods. Available pre-filled with either Central Heating Protector, Non-Acid Sludge dissolver, Pre-commissioning Cleaner, Boiler Descaler. Aqueous Logic Rapid-Dose® is a recyclable pressurised canister that can be used to dose any indirect heating system within seconds. There is no need to release system pressure or draw off water – simply connect the canister to the filling loop isolation valve or a radiator using one of the purpose-designed Aqueous Logic Rapid-Dose® connectors and the canister will discharge itself.

Aqueous Logic Rapid-Dose® products are contained in a special bag within the canister and so never come into contact with the compressed air propellant gas and the propellant gas never leaves the canister. As the canister discharges, the chemical is squeezed out of the bag and, as the pressure in the canister is greater than that in the system, it is added very rapidly.



For further information visit www.monument-tools.com and / or www.aqueouslogic.co.uk