

### Product features:

- Metal construction throughout
- Single lever control for effortless single handed control
- Crisp modernist design lines
- Smoothflex shower hose for stylish durability
- Single spray pattern showerhead

### Packaged properties:

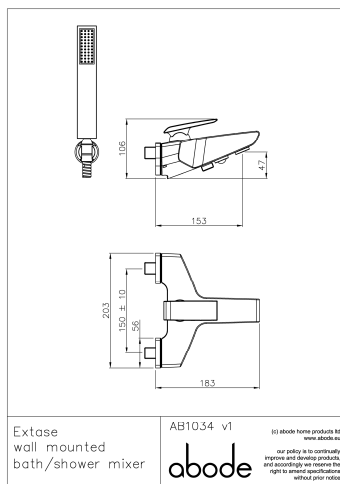
**Box length:** 270 mm      **Box depth:** 155 mm  
**Box width:** 235 mm      **Boxed weight:** 3.80 kg

**Includes pop up waste?:** No

### Additional comments:

Includes fixed shower bracket & square showerhead

### Product dimensions:



Extase wall mounted bath/shower mixer

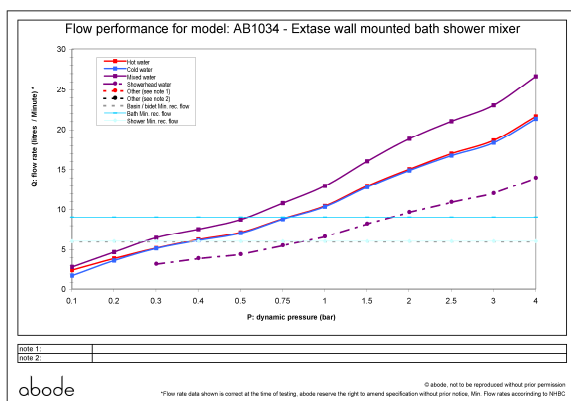
AB1034 v1  
abode

© abode home products ltd www.abode.eu  
 All prices are approximate. Improve and develop products, and accordingly we reserve the right to amend specifications without prior notice.

- **Overall Height / projection:** 106 mm
- **Exit reach:** 153 mm
- **Exit height:** 47 mm
- **Centre distance(s):**

- **Base diameter(s):** 56 x 53 mm
- **Product mounted where:** Wall
- **Recommended hole diameter:**
- **Min. fitting depth required:**
- **Max. surface depth:**

### Product flow characteristics:



- **Min / Max water pressure:** 0.5 bath & 0.75 shower / 5 bar
- **Part G mixed flow rate at 3 bar (l/m):** bath=23, shower=12

- **Max water temperature:** 70° C
- **Product flow characteristics:** Single flow
- **Aerator type:** White flow straightener
- **Includes output diverter?:** Yes
- **Control valve type:** Single lever (35mm)
- **Non return valve position:**
- **Mesh particle filter size:**
- **Inlet / outlet size:** 1/2" M /
- **Inlet type / length:** Eccentric / 50 mm
- **Shower hose type / length:** Smoothflex / 1.50 m

### Warranty Summary (Full details available on request):

- Materials and workmanship defects warranted for 5 years
- Valves and working parts warranted for 2 years
- Surface warranty defects warranted for 1 year
- O-rings, hoses & gaskets warranted for 1 year

### Care instructions:

- Clean the mixers and showers regularly as required, using soap, do not use any other cleaners.
- Regular cleaning will prevent the build up of lime scale and dirt
- After cleaning rinse thoroughly with clean water to remove any cleaner residue
- Residues of liquid soaps, shampoos and shower foams can also cause damage, so rinse with clean water after using, avoid contact with any abrasives