



Product features:

- Metal & ABS construction
- Quarter turn handle action for precise flow control
- Custom designed for lower range pressures
- Swivel spout for maximum flexibility
- Single spray pattern showerhead

Packaged properties:

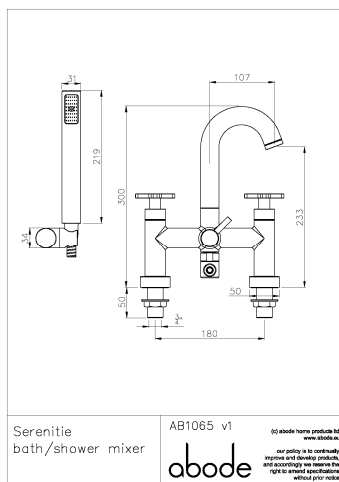
Box length: 380 mm **Box depth:** 105 mm
Box width: 255 mm **Boxed weight:** 3.90 kg

Includes pop up waste?: No

Additional comments:

Includes fixed shower bracket & round showerhead

Product dimensions:



Serenitie
bath/shower mixer

AB1065 v1

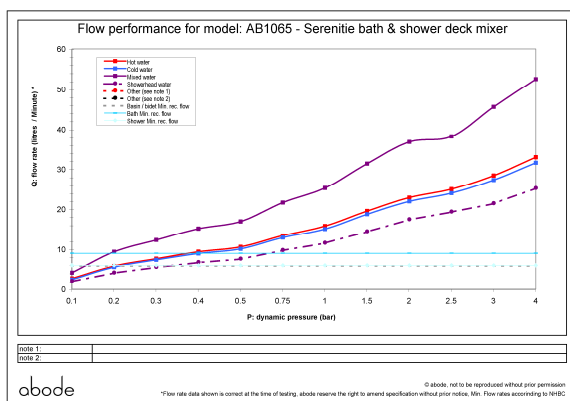
abode

© abode home products ltd
www.abode.co.uk
Our products are carefully
designed and developed products,
and we warranting we reserve the
right to amend specifications
without prior notice.

- **Overall Height / projection:** 300 mm
- **Exit reach:** 107 mm
- **Exit height:** 223 mm
- **Centre distance(s):** 180 mm

- **Base diameter(s):** 50 mm
- **Product mounted where:** Surface
- **Recommended hole diameter:** 32 mm
- **Min. fitting depth required:**
- **Max. surface depth:**

Product flow characteristics:



- **Min / Max water pressure:** 0.2 bath & 0.4 shower / 5 bar
- **Part G mixed flow rate at 3 bar (l/m):** bath=45.6, shower=21.5

- **Max water temperature:** 70° C
- **Product flow characteristics:** Single flow
- **Aerator type:** White flow straightener
- **Includes output diverter?:** Yes
- **Control valve type:** 1/2" QT CD (8-20)
- **Non return valve position:**
- **Mesh particle filter size:**
- **Inlet / outlet size:** 3/4" M /
- **Inlet type / length:** Fixed / 65 mm
- **Shower hose type / length:** Smoothflex / 1.50 m

Warranty Summary (Full details available on request):

- Materials and workmanship defects warranted for 5 years
- Valves and working parts warranted for 2 years
- Surface warranty defects warranted for 1 year
- O-rings, hoses & gaskets warranted for 1 year

Care instructions:

- Clean the mixers and showers regularly as required, using soap, do not use any other cleaners.
- Regular cleaning will prevent the build up of lime scale and dirt
- After cleaning rinse thoroughly with clean water to remove any cleaner residue
- Residues of liquid soaps, shampoos and shower foams can also cause damage, so rinse with clean water after using, avoid contact with any abrasives