

**Product features:**

- Metal & ABS construction
- Custom designed for lower range pressures
- Single lever control for effortless single handed control
- Supplied with copper tail pipes for maximum stability and flow
- Fixed spout to prevent accidental water damage

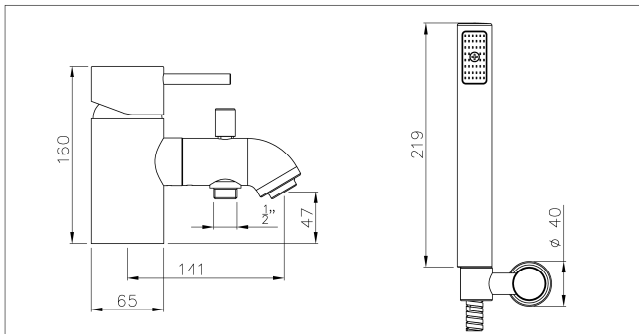
**Packaged properties:**

**Box length:** 270 mm      **Box depth:** 155 mm  
**Box width:** 235 mm      **Boxed weight:** 3.90 kg

**Includes pop up waste?:** No

**Additional comments:**  
 Includes pencil showerhead & fixed bracket

**Product dimensions:**



- **Overall Height / projection:** 160 mm
- **Exit reach:** 141 mm
- **Exit height:** 47 mm
- **Centre distance(s):**
- **Base diameter(s):** 65 mm
- **Product mounted where:** Surface
- **Recommended hole diameter:**
- **Min. fitting depth required:**
- **Max. surface depth:** 85 mm

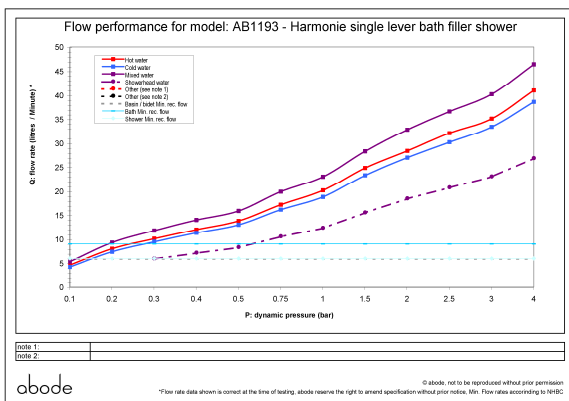
Harmonie bath filler with shower

AB1193 v2

(c) abode home products ltd  
 www.abode.eu  
 our policy is to continually improve and develop products, and accordingly we reserve the right to amend specifications without prior notice



**Product flow characteristics:**



- **Min / Max water pressure:** 0.2 bath & 0.3 shower / 5 bar
- **Part G mixed flow rate at 3 bar (l/m):** bath=40.2, shower=23.1
- **Max water temperature:** 70° C
- **Product flow characteristics:** Single flow
- **Aerator type:** White flow straightener
- **Includes output diverter?:** Yes
- **Control valve type:** Single lever (45mm)
- **Non return valve position:**
- **Mesh particle filter size:**
- **Inlet / outlet size:** Ø15 / m16
- **Inlet type / length:** Copper / 300 mm
- **Shower hose type / length:**

**Warranty Summary (Full details available on request):**

- Materials and workmanship defects warranted for 5 years
- Valves and working parts warranted for 2 years
- Surface warranty defects warranted for 1 year
- O-rings, hoses & gaskets warranted for 1 year

**Care instructions:**

- Clean the mixers and showers regularly as required, using soap, do not use any other cleaners.
- Regular cleaning will prevent the build up of lime scale and dirt
- After cleaning rinse thoroughly with clean water to remove any cleaner residue
- Residues of liquid soaps, shampoos and shower foams can also cause damage, so rinse with clean water after using, avoid contact with any abrasives