



### Product features:

- Metal & ABS construction
- Single lever control for effortless single handed control
- Custom designed for lower range pressures
- Can be installed concealed or exposed
- Luscious European quality chromium plate finish

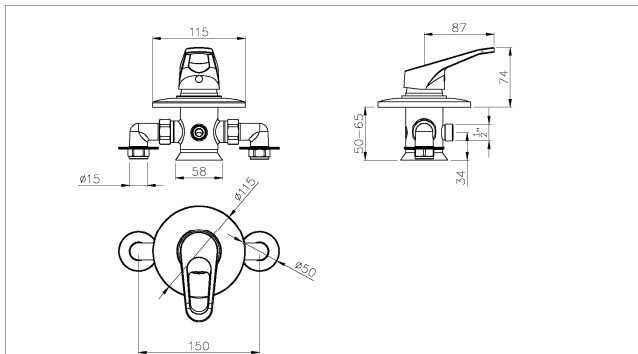
### Packaged properties:

**Box length:** 375 mm      **Box depth:** 78 mm  
**Box width:** 133 mm      **Boxed weight:** 1.36 kg

**Includes pop up waste?:** No

**Additional comments:**

### Product dimensions:



Euphoria  
 exposed / concealed single lever shower mixer  
 (shown in concealed format)

AB2001 v1

(c) abode home products ltd  
 www.abode.eu

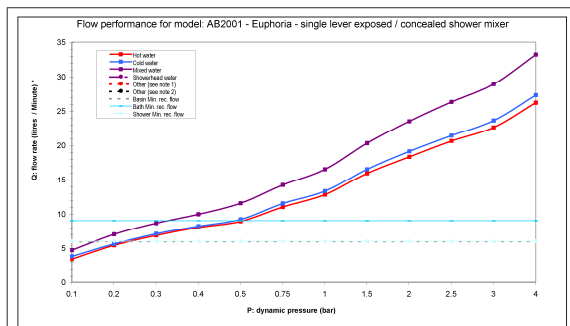
abode

our policy is to continually  
 improve and develop products,  
 and accordingly we reserve the  
 right to amend specifications  
 without prior notice

- **Overall Height / projection:** 126 or 74 mm
- **Exit reach:**
- **Exit height:**
- **Centre distance(s):** 150 mm

- **Base diameter(s):** 50 or 115 mm
- **Product mounted where:** Wall
- **Recommended hole diameter:**
- **Min. fitting depth required:** 65 mm
- **Max. surface depth:**

### Product flow characteristics:



abode

© abode, not to be reproduced without prior permission  
 \*Flow rate data shown is correct at the time of testing, abode reserves the right to amend specification without prior notice. Min. Flow rates according to BS68

- **Min / Max water pressure:** 0.20 / 5 bar
- **Part G mixed flow rate at 3 bar (l/m):** 28.9

- **Max water temperature:** 70° C
- **Product flow characteristics:**
- **Aerator type:**
- **Includes output diverter?:** No
- **Control valve type:** Single lever (40mm)
- **Non return valve position:**
- **Mesh particle filter size:**
- **Inlet / outlet size:** 1/2" M /
- **Inlet type / length:** / mm
- **Shower hose type / length:**

### Warranty Summary (Full details available on request):

- Materials and workmanship defects warranted for 5 years
- Valves and working parts warranted for 2 years
- Surface warranty defects warranted for 1 year
- O-rings, hoses & gaskets warranted for 1 year

### Care instructions:

- Clean the mixers and showers regularly as required, using soap, do not use any other cleaners.
- Regular cleaning will prevent the build up of lime scale and dirt
- After cleaning rinse thoroughly with clean water to remove any cleaner residue
- Residues of liquid soaps, shampoos and shower foams can also cause damage, so rinse with clean water after using, avoid contact with any abrasives