

### Product features:

- Metal construction throughout
- Single spray pattern showerhead
- 1/2 turn diverter to handshower & main showerhead
- Luscious European quality chromium plate finish

### Packaged properties:

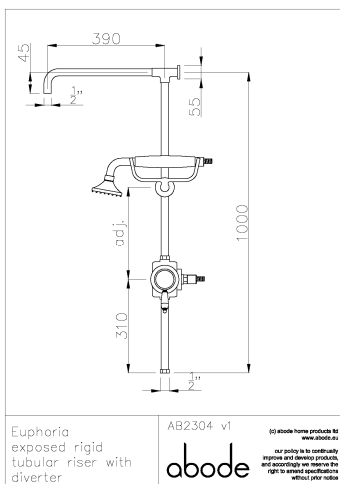
**Box length:** 940 mm      **Box depth:** 90 mm  
**Box width:** 150 mm      **Boxed weight:** 2.60 kg

**Includes pop up waste?:** No

### Additional comments:

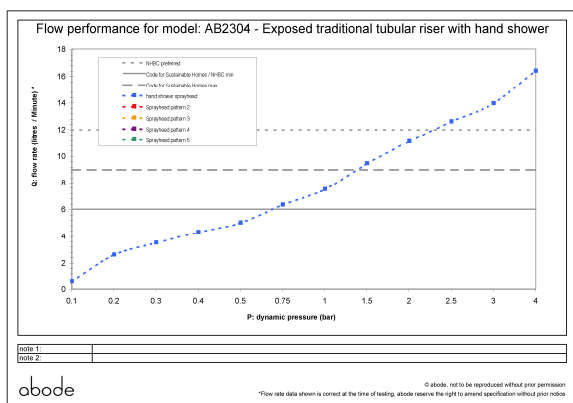
Only connects to AB2003 directly

### Product dimensions:



- **Overall Height / projection:** 1000 mm
- **Exit reach:** 390 mm
- **Exit height:** 45 mm
- **Centre distance(s):**
- **Base diameter(s):** 55 mm
- **Product mounted where:** Wall
- **Recommended hole diameter:**
- **Min. fitting depth required:**
- **Max. surface depth:**

### Product flow characteristics:



- **Min / Max water pressure:** 0.75 / 5 bar
- **Part G mixed flow rate at 3 bar (l/m):** 13.95
- **Max water temperature:** 70° C
- **Product flow characteristics:**
- **Aerator type:**
- **Includes output diverter?:** Yes
- **Control valve type:** ( )
- **Non return valve position:** outlet to handshower
- **Mesh particle filter size:**
- **Inlet / outlet size:** 1/2" F / 1/2" F
- **Inlet type / length:** Fixed / mm
- **Shower hose type / length:** Metal linked / 1.50 m

### Warranty Summary (Full details available on request):

- Materials and workmanship defects warranted for 5 years
- Valves and working parts warranted for 2 years
- Surface warranty defects warranted for 1 year
- O-rings, hoses & gaskets warranted for 1 year

### Care instructions:

- Clean the mixers and showers regularly as required, using soap, do not use any other cleaners.
- Regular cleaning will prevent the build up of lime scale and dirt
- After cleaning rinse thoroughly with clean water to remove any cleaner residue
- Residues of liquid soaps, shampoos and shower foams can also cause damage, so rinse with clean water after using, avoid contact with any abrasives