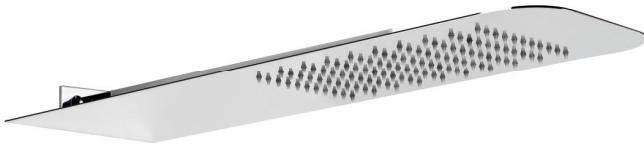


Product features:

- Metal construction throughout
- Rub clean anti limescale spray nozzles
- Single spray pattern showerhead
- Flow restricted to 18 litres/min to reduce splashing and save water
- Minimalist planate design form



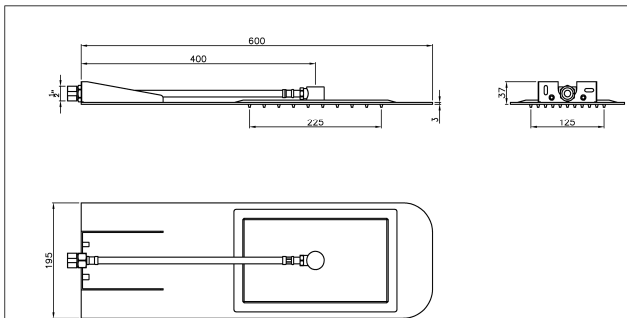
Packaged properties:

Box length: 230 mm **Box depth:** 80 mm
Box width: 660 mm **Boxed weight:** 3.61 kg

Includes pop up waste?: No

Additional comments:
 110 Nozzles, includes mesh filter washers

Product dimensions:



- **Overall Height / projection:** 37 mm
- **Exit reach:** 400 mm
- **Exit height:**
- **Centre distance(s):**
- **Base diameter(s):**
- **Product mounted where:** Wall
- **Recommended hole diameter:**
- **Min. fitting depth required:** 50 mm
- **Max. surface depth:**

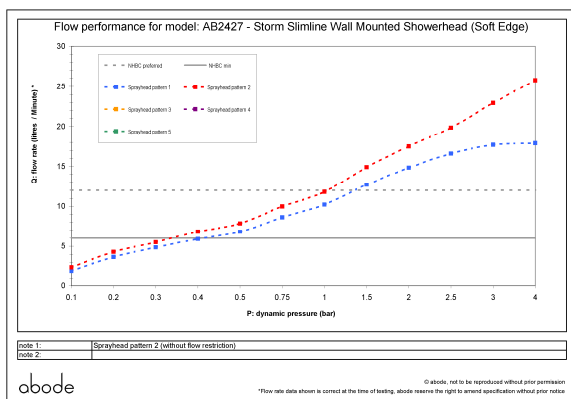
Storm Slimline Wall Mounted Showerhead (Soft Edge)

AB2428 v1

abode

(c) abode home products ltd
 www.abode.co.uk
 our policy is to continually improve and develop products, and accordingly we reserve the right to amend specifications without prior notice

Product flow characteristics:



- **Min / Max water pressure:** 0.80 / 5 bar
- **Part G mixed flow rate at 3 bar (l/m):** 22.94
- **Max water temperature:** 70° C
- **Product flow characteristics:**
- **Aerator type:**
- **Includes output diverter?:** No
- **Control valve type:** ()
- **Non return valve position:**
- **Mesh particle filter size:** 0.60 mm
- **Inlet / outlet size:** 1/2" F /
- **Inlet type / length:** Flexi / 400 mm
- **Shower hose type / length:**

Warranty Summary (Full details available on request):

- Materials and workmanship defects warranted for 5 years
- Valves and working parts warranted for 2 years
- Surface warranty defects warranted for 1 year
- O-rings, hoses & gaskets warranted for 1 year

Care instructions:

- Clean the mixers and showers regularly as required, using soap, do not use any other cleaners.
- Regular cleaning will prevent the build up of lime scale and dirt
- After cleaning rinse thoroughly with clean water to remove any cleaner residue
- Residues of liquid soaps, shampoos and shower foams can also cause damage, so rinse with clean water after using, avoid contact with any abrasives