

abode

# Astbury Bridge c/w independent Hendon Sidespray

**Product Finish:** Chrome

**Product code:** AT3009

**EAN13 barcode:** 5060048383188



Note: the image shown may not reflect the product finish, chrome finish is typically depicted.

**Product features:**

- Low lead brass construction
- Quarter turn handle action for precise flow control
- Victorian inspired aesthetic
- Sprayhead functions independently from the tap (spout flow continues if spray activated)
- Leading design performance requiring higher pressures

**Additional information / Parts included:**

Cache key, allen key 2mm

**Packaged properties:**

**Box length (mm):** 605

**Box depth (mm):** 85

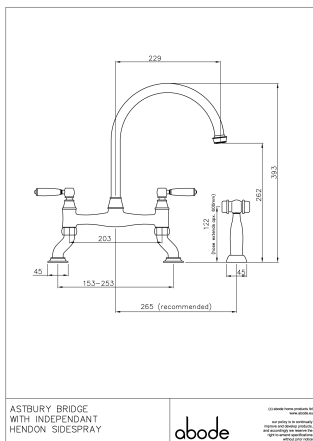
**Tap only weight (kg):** 3.30

**Box width (mm):** 320

**Units per outer:** 5

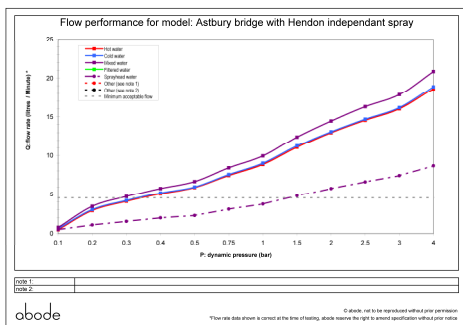
**Boxed weight (kg):** 4.10

**Product dimensions:**



- **Overall Height / projection (mm):** 393
- **Exit reach (mm):** 229
- **Exit height (mm):** 262
- **Centre distance(s):** 203mm nominal +/- 50mm (153-253mm)
- **Base diameter(s) (mm):** 45
- **Recommended hole diameter (mm):** Ø 35
- **Max. surface depth (mm):** 85
- **Spout diameter (mm):** 20
- **Spout aerator size:** M20

**Product flow characteristics:**



- **Min / Max water pressure (bar):** 1.00 / 5.5
- **Recommended / Max water temperature:** 46°C / 70°C
- **Part G - Mixed flow rate at 3 bar (litres / min):** 17.86
- **Control valve type:** Ceramic disc QT
- **Product flow characteristics:** Single flow
- **Non-return/Check valve(s):** Integral to H & C inlets and sprayhead
- **Aerator type:** Neoperl SLIM AIR CCSLC – STD flow class V
- **Accepts revolve / spray aerator:** No
- **Spout connection method:** Locking collar
- **Tail pipe inlet / outlet size:** 3/4" BSP male / 1/2" BSP Male
- **Inlet pipe type / length (mm):** fixed threaded inlets / 105

**Care instructions summary:**

- Clean the product regularly using a mild washing up liquid, do not use any other cleaners.
- Regular cleaning will prevent the build up of lime scale and dirt
- After cleaning rinse thoroughly with clean water to remove any cleaner residue
- Residues of sink & worktop cleaners can also cause damage, so rinse with clean water after using, avoid contact with any abrasives

**Warranty Summary** (Full details available on request):

- Materials and workmanship defects warranted for 5 years
- Valves and working parts warranted for 5 years
- Surface warranty defects warranted for 5 years
- O-rings, hoses & gaskets warranted for 5 years

