

abode

# Brompton Monobloc c/w integral Hendon Sidespray

**Product Finish:** Pewter

**Product code:** AT3015

**EAN13 barcode:** 5060048383249



Note: the image shown may not reflect the product finish, chrome finish is typically depicted.

**Product features:**

- Low lead brass construction
- Quarter turn handle action for precise flow control
- Ceramic handle(s) as standard
- Integral diverter from spout to sprayhead (spout flow stops when spray activated)
- Leading design performance requiring higher pressures

**Additional information / Parts included:**

Triangular stabiliser, Cache aerator key

**Packaged properties:**

**Box length (mm):** 605

**Box depth (mm):** 85

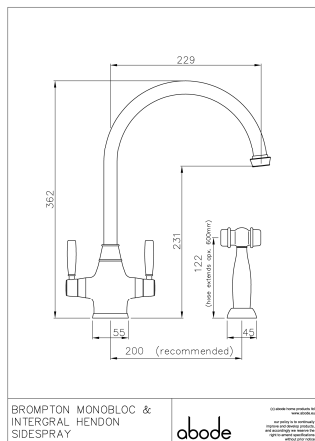
**Tap only weight (kg):** 3.2

**Box width (mm):** 320

**Units per outer:** 5

**Boxed weight (kg):** 4.02

**Product dimensions:**

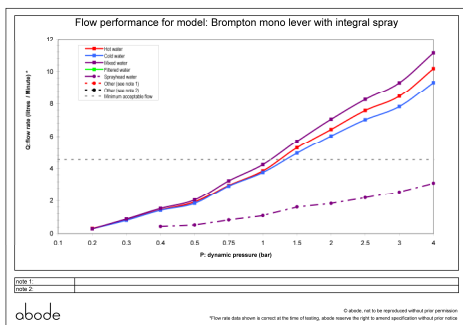


- Overall Height / projection (mm): 362
- Exit reach (mm): 229
- Exit height (mm): 231
- Centre distance(s): N/A

- Base diameter(s) (mm): 55
- Recommended hole diameter (mm): Ø 35
- Max. surface depth (mm): 55

- Spout diameter (mm): 20
- Spout aerator size: M20

**Product flow characteristics:**



- Min / Max water pressure (bar): 1.25 / 5.5
- Recommended / Max water temperature: 46°C / 70°C
- Part G - Mixed flow rate at 3 bar (litres / min): 9.32

- Control valve type: Ceramic disc QT
- Product flow characteristics: Single flow
- Non-return/Check valve(s): Integral to H & C inlets and sprayhead

- Aerator type: Neoperl SLIM AIR CCSLC – STD flow class V
- Accepts revolve / spray aerator: No
- Spout connection method: Locking collar

- Tail pipe inlet / outlet size: M10 / 1/2" BSP Male
- Inlet pipe type / length (mm): flexible stainless braided hose / 480

**Care instructions summary:**

- Clean the product regularly using a mild washing up liquid, do not use any other cleaners.
- Regular cleaning will prevent the build up of lime scale and dirt
- After cleaning rinse thoroughly with clean water to remove any cleaner residue
- Residues of sink & worktop cleaners can also cause damage, so rinse with clean water after using, avoid contact with any abrasives

**Warranty Summary** (Full details available on request):

- Materials and workmanship defects warranted for 5 years
- Valves and working parts warranted for 5 years
- Surface warranty defects warranted for 5 years
- O-rings, hoses & gaskets warranted for 5 years

