

abode

Brompton Single Lever c/w integral Hendon Sidespray

Product Finish: Chrome

Product code: AT3017

EAN13 barcode: 5060048383263



Note: the image shown may not reflect the product finish, chrome finish is typically depicted.

Product features:

- Low lead brass construction
- Single lever control for effortless single handed control
- Elegant classic retro design form
- Integral diverter from spout to sprayhead (spout flow stops when spray activated)
- Leading design performance requiring higher pressures

Additional information / Parts included:

Triangular stabiliser, Cache aerator key

Packaged properties:

Box length (mm): 605

Box depth (mm): 85

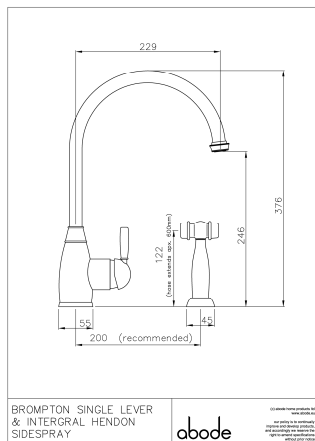
Tap only weight (kg): 3.36

Box width (mm): 320

Units per outer: 5

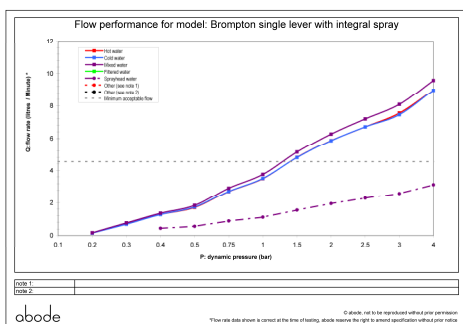
Boxed weight (kg): 4.14

Product dimensions:



- Overall Height / projection (mm): 385
- Exit reach (mm): 229
- Exit height (mm): 255
- Centre distance(s): N/A
- Base diameter(s) (mm): 55
- Recommended hole diameter (mm): Ø 35
- Max. surface depth (mm): 85
- Spout diameter (mm): 20
- Spout aerator size: M20

Product flow characteristics:



- Min / Max water pressure (bar): 1.25 / 5.5
- Recommended / Max water temperature: 46°C / 70°C
- Part G - Mixed flow rate at 3 bar (litres / min): 8.09
- Control valve type: Single lever ceramic cartridge
- Product flow characteristics: Single flow
- Non-return/Check valve(s): Integral to H & C inlets and sprayhead
- Aerator type: Neoperl SLIM AIR CCSLC – STD flow class V
- Accepts revolve / spray aerator: No
- Spout connection method: Locking collar
- Tail pipe inlet / outlet size: M10 / 1/2" BSP Male
- Inlet pipe type / length (mm): flexible stainless braided hose / 480

Care instructions summary:

- Clean the product regularly using a mild washing up liquid, do not use any other cleaners.
- Regular cleaning will prevent the build up of lime scale and dirt
- After cleaning rinse thoroughly with clean water to remove any cleaner residue
- Residues of sink & worktop cleaners can also cause damage, so rinse with clean water after using, avoid contact with any abrasives

Warranty Summary (Full details available on request):

- Materials and workmanship defects warranted for 5 years
- Valves and working parts warranted for 5 years
- Surface warranty defects warranted for 5 years
- O-rings, hoses & gaskets warranted for 5 years

