

abode

# Bayenne Monobloc c/w integral Hendon Sidespray

**Product Finish:** Pewter

**Product code:** AT3027  
**EAN13 barcode:** 5060048383362



Note: the image shown may not reflect the product finish, chrome finish is typically depicted.

**Product features:**

- Low lead brass construction
- Quarter turn handle action for precise flow control
- Ceramic handle(s) as standard
- Integral diverter from spout to sprayhead (spout flow stops when spray activated)
- Leading design performance requiring higher pressures

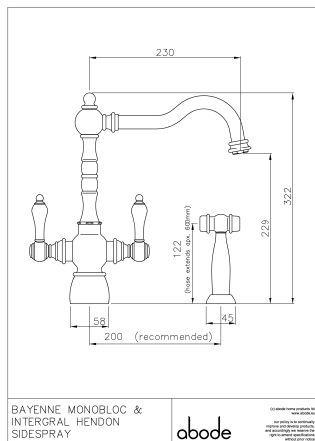
**Additional information / Parts included:**

Triangular stabiliser

**Packaged properties:**

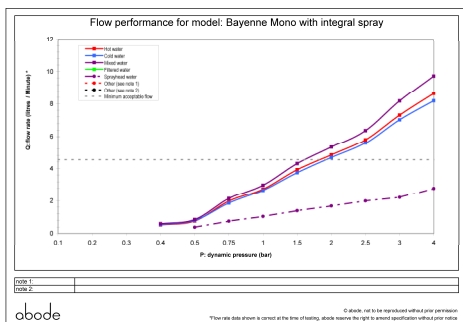
**Box length (mm):** 605    **Box depth (mm):** 85    **Tap only weight (kg):** 4.10  
**Box width (mm):** 320    **Units per outer:** 5    **Boxed weight (kg):** 4.88

**Product dimensions:**



- **Overall Height / projection (mm):** 322
- **Exit reach (mm):** 230
- **Exit height (mm):** 229
- **Centre distance(s):** N/A
- **Base diameter(s) (mm):** 58
- **Recommended hole diameter (mm):** Ø 35
- **Max. surface depth (mm):** 60
- **Spout diameter (mm):** 20
- **Spout aerator size:** M24

**Product flow characteristics:**



- **Min / Max water pressure (bar):** 1.50 / 5.5
- **Recommended / Max water temperature:** 46°C / 70°C
- **Part G - Mixed flow rate at 3 bar (litres / min):** 8.18
- **Control valve type:** Ceramic disc QT
- **Product flow characteristics:** Single flow
- **Non-return/Check valve(s):** Integral to H & C inlets and sprayhead
- **Aerator type:** Neoperl honeycomb light blue
- **Accepts revolve / spray aerator:** No
- **Spout connection method:** Locking collar
- **Tail pipe inlet / outlet size:** M10 / 1/2" BSP Male
- **Inlet pipe type / length (mm):** flexible stainless braided hose / 480

**Care instructions summary:**

- Clean the product regularly using a mild washing up liquid, do not use any other cleaners.
- Regular cleaning will prevent the build up of lime scale and dirt
- After cleaning rinse thoroughly with clean water to remove any cleaner residue
- Residues of sink & worktop cleaners can also cause damage, so rinse with clean water after using, avoid contact with any abrasives

**Warranty Summary** (Full details available on request):

- Materials and workmanship defects warranted for 5 years
- Valves and working parts warranted for 5 years
- Surface warranty defects warranted for 5 years
- O-rings, hoses & gaskets warranted for 5 years

