

# Hendon Independent Sidespray

**Product Finish:** Pewter

**Product code:** AT3041  
**EAN13 barcode:** 5060048383508



Note: the image shown may not reflect the product finish, chrome finish is typically depicted.

**Product features:**

- Low lead brass construction
- 1.5M pull out nylon sprayhead hose
- Single spray pattern showerhead
- Sprayhead functions independently from the tap (spout flow continues if spray activated)
- 5 year limited warranty

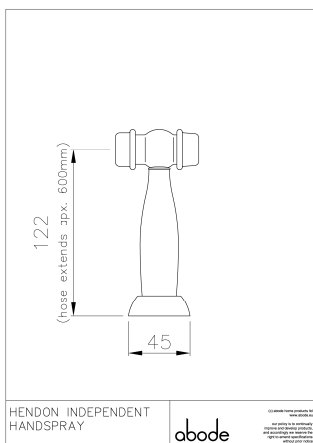
**Additional information / Parts included:**

Includes M15 x 1 female x 1/2" BSP male brass adaptor, M15 fibre seal,

**Packaged properties:**

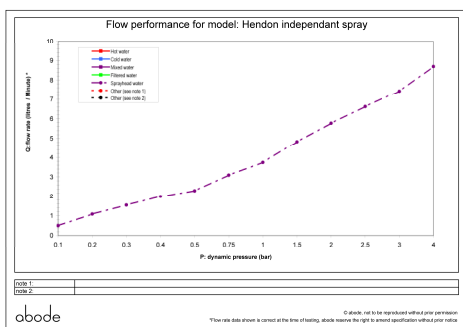
**Box length (mm):** 235    **Box depth (mm):** 65    **Tap only weight (kg):** 0.92  
**Box width (mm):** 145    **Units per outer:** 20    **Boxed weight (kg):** 1.06

**Product dimensions:**



- **Overall Height / projection (mm):** 122
- **Exit reach (mm):** N/A
- **Exit height (mm):** N/A
- **Centre distance(s):** N/A
- **Base diameter(s) (mm):** 45
- **Recommended hole diameter (mm):** Ø 35
- **Max. surface depth (mm):** 70
- **Spout diameter (mm):** N/A
- **Spout aerator size:** N/A

**Product flow characteristics:**



- **Min / Max water pressure (bar):** 1.00 / 5.5
- **Recommended / Max water temperature:** 46°C / 70°C
- **Part G - Mixed flow rate at 3 bar (litres / min):** 7.44
- **Control valve type:** Trigger
- **Product flow characteristics:** Single flow
- **Non-return/Check valve(s):** Integral to sprayhead
- **Aerator type:** Spray nozzle
- **Accepts revolve / spray aerator:** No
- **Spout connection method:** N/A
- **Tail pipe inlet / outlet size:** 1/2" BSP female / M15x1 Male (M15 x 1/2" male adaptor)
- **Inlet pipe type / length (mm):** flexible nylon braided hose / 1000

**Care instructions summary:**

- Clean the product regularly using a mild washing up liquid, do not use any other cleaners.
- Regular cleaning will prevent the build up of lime scale and dirt
- After cleaning rinse thoroughly with clean water to remove any cleaner residue
- Residues of sink & worktop cleaners can also cause damage, so rinse with clean water after using, avoid contact with any abrasives

**Warranty Summary** (Full details available on request):

- Materials and workmanship defects warranted for 5 years
- Valves and working parts warranted for 5 years
- Surface warranty defects warranted for 5 years
- O-rings, hoses & gaskets warranted for 5 years

