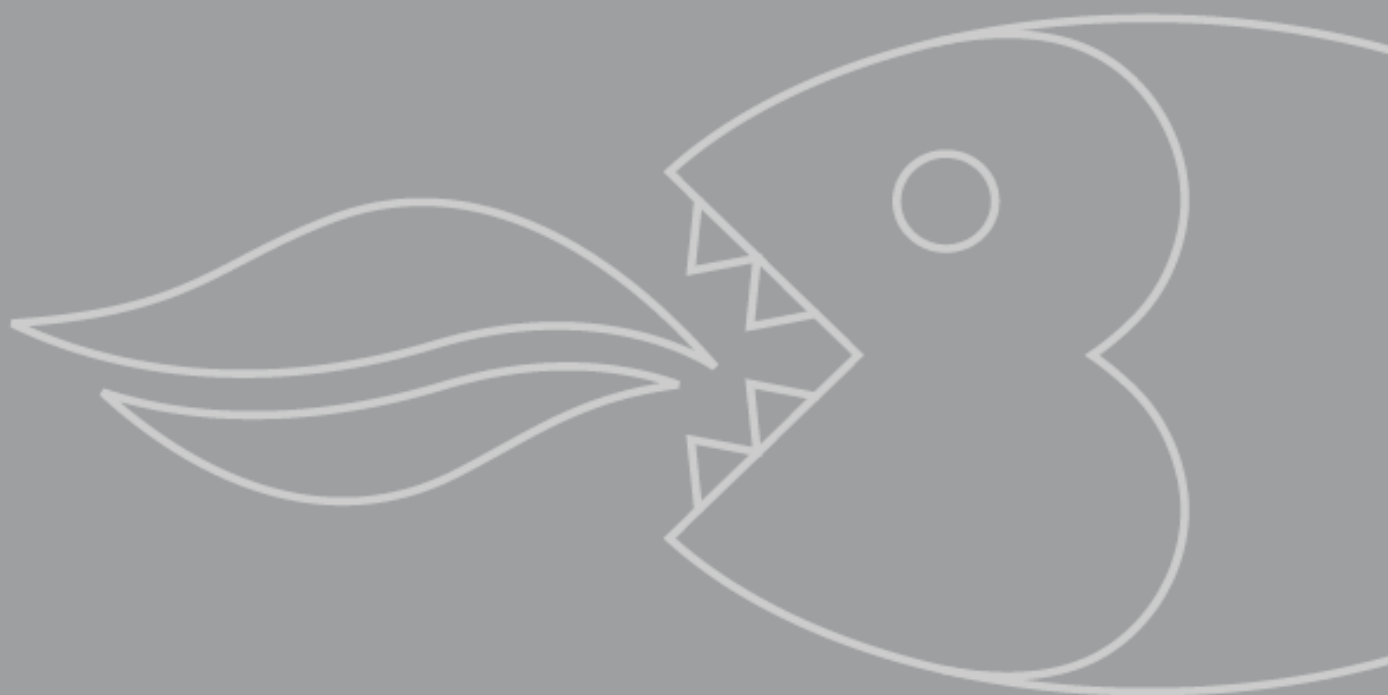


**BO665SS 60cm  
Multifunction built in  
oven**

**INSTRUCTION MANUAL**



# User Manual for your Baumatic

## **B0665SS**

**60 cm Large capacity multifunction  
built in oven**



***NOTE: This User Instruction Manual contains important information, including safety & installation points, which will enable you to get the most out of your appliance. Please keep it in a safe place so that it is easily available for future reference; for you or any person not familiar with the operation of the appliance.***


GS 23/04/12

## Contents

<b>Environmental note</b>	4
<b>Important safety information</b>	5 – 7
<b>Specifications</b>	8-10
Product and aperture dimensions	8
Specifications	8 – 9
Standard accessories	9
Electrical details	9
Control panel	10
Oven programmer/timer display	10
<b>Setting and using the oven programmer/timer</b>	11-17
Selecting manual operation mode	11
Before first use	11
Setting the time of day	11-12
The minute minder function	12
The semi-automatic cooking function	13
The end of cooking function	14
The automatic cooking function	15-16
Cancelling the semi-automatic and automatic function	16
Cancelling the minute minder function	16
Adjusting the volume of the audible signal	16
Changing the time of day	17
<b>Selecting a cooking function and temperature</b>	17-21
Selecting manual operation mode	17
Selecting an oven function	17-18
Thermostat control knob	19
Oven operating light	19
Cooking table	19-20
Cooking guidelines	20-21
Warnings	21
<b>Cleaning and maintenance</b>	22-25
Removable oven roof liner	23
Removable side racks	23
Replacing the oven bulb	24
Removing the inner door glass for cleaning	25
<b>Installation</b>	26-32
Electrical connection	26-27
Reversing the door of your appliance	27-30
Installing the oven into the kitchen cabinet	31
Fixing the oven into a cabinet	31
Ventilation requirements	23
<b>My appliance isn't working correctly</b>	32-34
<b>Baumatic consumables</b>	35
<b>Contact details</b>	36

## Environmental note

**This appliance is marked according to the European directive 2002/96/EC on Waste electrical and Electronic Equipment (WEEE). By ensuring this product is disposed of correctly, you will help prevent potential negative consequences for the environment and human health, which could otherwise be caused by inappropriate waste handling of this product.**

The symbol  on the product, or on the documents accompanying the product, indicates that this appliance may not be treated as household waste. Instead it shall be handed over to the applicable collection point for the recycling of electrical and electronic equipment.

**Disposal must be carried out in accordance with local environmental regulations for waste disposal.**

**For more detailed information about treatment, recovery and recycling of this product, please contact your local city office, your household waste disposal service or the shop where you purchased the product.**



- The packaging materials that Baumatic uses are environmentally friendly and can be recycled.
- Please discard all packaging material with due regard for the environment.

## IMPORTANT SAFETY INFORMATION



Your safety is of the utmost importance to Baumatic. Please make sure that you read this instruction booklet **before** attempting to install or use the appliance. If you are unsure of any of the information contained in this booklet, please contact the Baumatic Customer Care Department.

### General Information

- This appliance is designed for domestic household use and can be built into a standard kitchen cabinet or housing unit.
- **IMPORTANT:** *The adjacent furniture or housing and all materials used in the installation **must** be able to withstand a minimum temperature of 85°C above the ambient temperature of the room it is located in, whilst in use.*
- Certain types of vinyl or laminate kitchen furniture are particularly prone to heat damage or discolouration at temperatures below the guidelines given above.
- Any damage caused by the appliance being installed in contravention of this temperature limit, or by placing adjacent cabinet materials closer than 4mm to the appliance, **will be the liability of the owner.**
- For use in **leisure accommodation vehicles**, please refer to the appropriate information given in the installation instructions for this appliance.
- The use of this appliance for any other purpose or in any other environment without the express agreement of Baumatic Ltd. will invalidate any warranty or liability claim.
- Your new appliance is guaranteed against electrical or mechanical defects, subject to certain exclusions that are noted in Baumatic's Conditions Of Guarantee. The foregoing does not affect your statutory rights.
- **Repairs may only be carried out by Baumatic Service Engineers or their authorised service agent.**

## Warning and safety instructions

- This appliance complies with all current European safety legislation. Baumatic do wish to emphasise that this compliance does not remove the fact that the appliance surfaces **will become hot during use and retain heat after operation.**

## Child Safety

- Baumatic strongly recommend that babies and young children are prevented from being near to the appliance and not allowed to touch the appliance **at any time.**
- If it is necessary for younger family members to be in the kitchen, please ensure that they are kept under close supervision at all times.

## General Safety

- **Do not** place heavy objects on the oven door or lean on the oven door when it is open, as this can cause damage to the oven door hinges.
- **Do not** leave heated oil or fat unattended, as this is a fire risk.
- **Do not** place pans or baking trays directly on the base of the oven cavity, or line it with aluminium foil.
- **Do not** allow electrical fittings or cables to come into contact with areas on the appliance that get hot.
- **Do not** use the appliance to heat the room it is located in or to dry clothing.
- **Do not** install the appliance next to curtains or soft furnishings.
- **Do not** attempt to lift or move cooking appliances by using the oven door or handle, as this may cause damage to the appliance or result in injury to the person lifting the appliance.

## Cleaning

- Cleaning of the oven should be carried out on a regular basis.
- Great care should be taken whilst using this appliance and when following the cleaning procedure.

- **IMPORTANT:** The appliance must be disconnected from the mains before following the cleaning procedure.

## Installation



***This appliance must be correctly installed by a suitably qualified person, strictly in accordance with the manufacturer's instructions.***

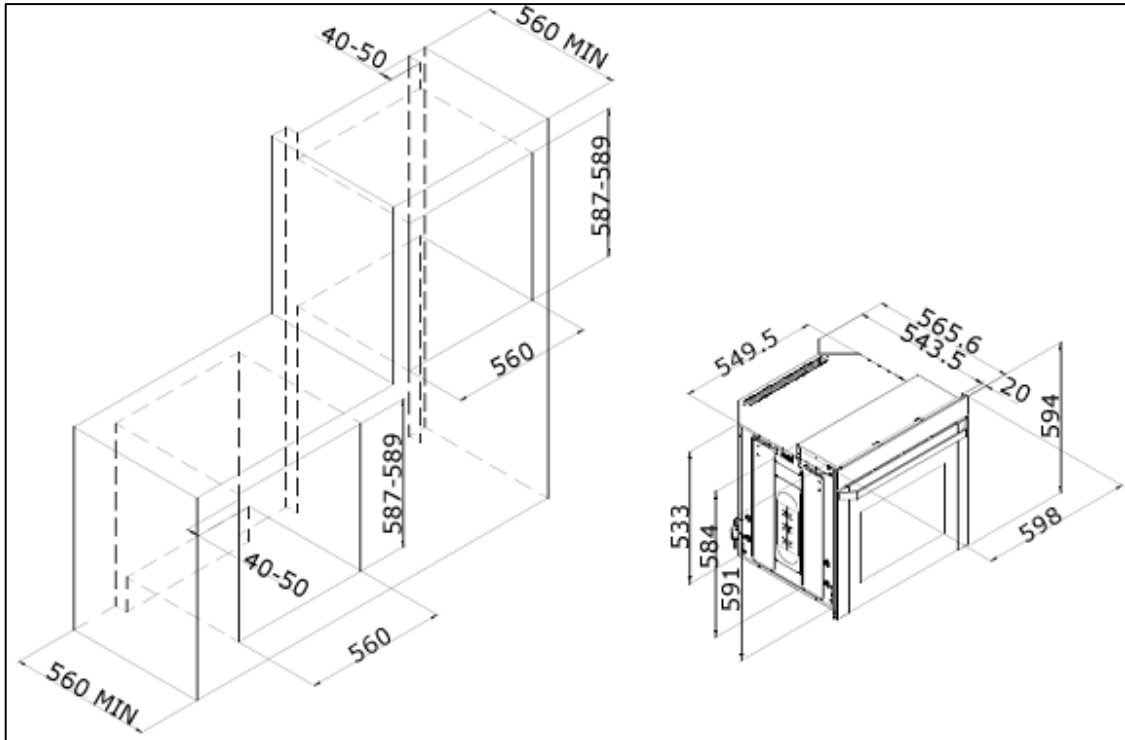
- ***Baumatic Ltd. declines any responsibility for injury or damage, to person or property, as a result of improper use or installation of this appliance.***
- Heat, steam and moisture will be created during use of the appliance, take care to avoid injury and ensure that the room is adequately ventilated. If the appliance is going to be used for prolonged periods of time, then additional ventilation may be required.
- Please consult with your qualified installer if you are in any doubt about the amount of ventilation that you will require.

## Declaration of conformity

This appliance complies with the following European Directives:

- 2006/95/EC regarding "low voltage"
- 2004/108/EC regarding "electromagnetic disturbances"
- Regulation (EC) N° 1935/2004 regarding "materials in contact with food"
- The above directives comply with 93/68/EEC regarding CE marking.
- The manufacturer declares that the oven is built using certified materials and requires the appliance to be installed in accordance with the standards currently in force. This appliance must be used by a trained person for domestic purposes only.

## Specifications



### Product Dimensions

Height: 594 mm  
Width: 598 mm  
Depth: 565.6 mm

### Aperture Dimensions

Height: 587 - 589 mm  
Width: 560 mm  
Depth: 560 mm MIN

### Specifications

- 9 function oven
- Gross / net oven capacity: 72 / 65 litres
- Energy efficiency class: A
- Wipe-clean enamelled cavity
- Cooling fan
- Triple-glazed removable door
- Removable inner door glass
- Side-opening reversible door
- Thermostatically controlled grill
- LED full programmer



## Standard accessories

- 2 x Safety shelves
- 1 x Trivet
- 1 x Wipe-clean enamelled baking tray with handle
- Removable side racks
- Removable roof liner
- Pizza stone
- Telescopic runners (2 levels)

## Electrical details

<b>Rated Voltage:</b>	220 - 240 Vac 50 - 60 Hz
<b>Supply Connection:</b>	13 A (double pole switched fused outlet with 3mm contact gap)
<b>Max Rated Inputs:</b>	2.55 kW
<b>Mains Supply Lead:</b>	3 x 1.2 mm <sup>2</sup>
<b>Oven Light Bulb:</b>	25 W/300°C screw type pygmy

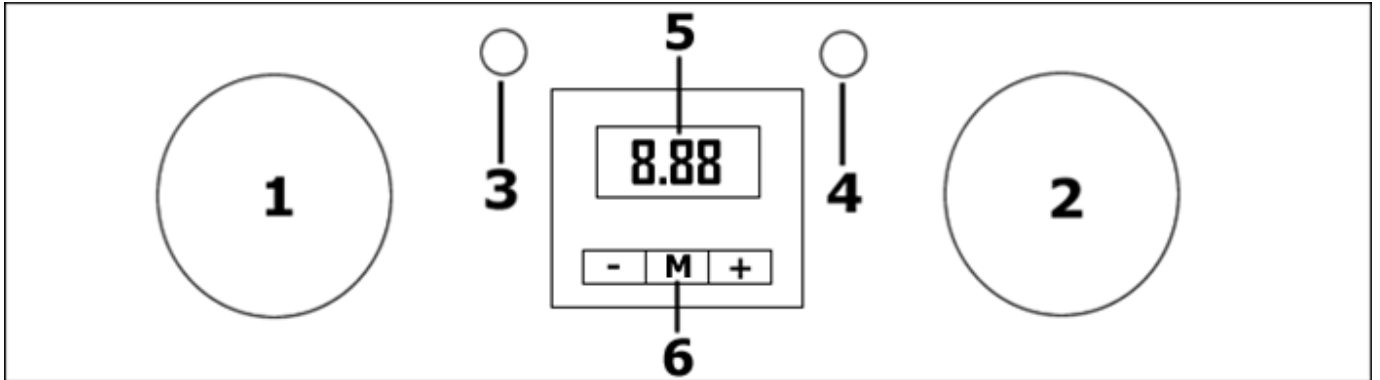
For future reference please record the following information which can be found on the rating plate and the date of purchase which can be found on your sales invoice. The rating plate for your oven can be located by opening the oven door and looking on the right hand side of the oven chassis.

**Model Number** .....

**Serial Number** .....

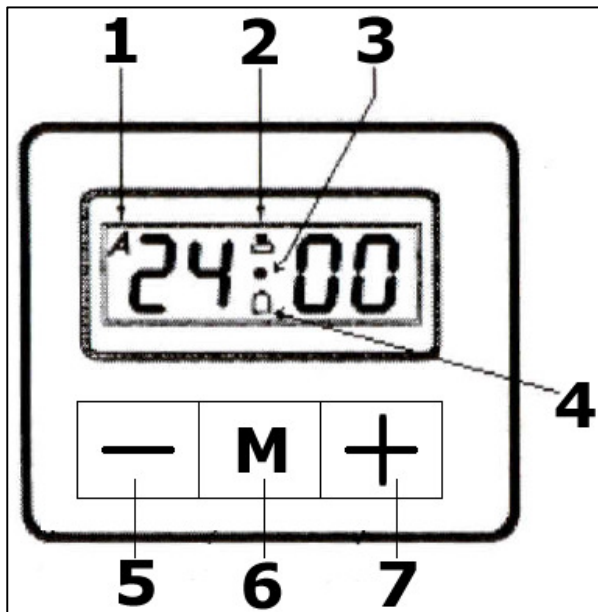
**Date of Purchase** .....

## Control Panel



- 1) Oven function selector knob
- 2) Thermostat control knob
- 3) Power indicator light
- 4) Oven operating light
- 5) LED display
- 6) Oven programmer/timer

## Oven programmer/timer display



- 1) Automatic cooking symbol
- 2) Oven in use symbol
- 3) Decimal point symbol
- 4) Minute minder symbol
- 5) Minus button
- 6) Manual operation button
- 7) Plus button

## Setting and using the oven programmer/timer

### Selecting manual operation mode

***After your appliance is connected to your mains supply for the first time, the numbers on the timer display will flash. Before you can select a cooking function or set a temperature, you must set the appliance into manual operation mode.***

- To select manual operation mode, press the manual operation button **(6)** on the control panel.

### Before first use

- To remove any residue from the oven that may have been left from the manufacturing process, you should select either the fan or conventional oven function and turn the thermostat dial to its maximum temperature setting.
- It is perfectly normal for a smell to be produced during this process.
- You should make sure that any windows in the room are left open during this process.
- It is advisable for you not to remain in the room whilst the burning off process is taking place.
- You should leave the oven on maximum setting for 30 – 40 minutes.

### Setting the time of day

***After your appliance is connected to your mains supply for the first time, you must set the time of day before you can use the oven.***

- When the oven is connected to your mains supply for the first time (or after a power cut), the digits on the LED display and the automatic cooking symbol **(1)** will flash.
- Press and hold down the manual operation button **(6)** for a couple of seconds. The automatic cooking symbol will go out and the digits will remain steady.
- Whilst the decimal point symbol **(3)** is flashing, use the plus **(7)** and minus **(5)** buttons to set the correct time of day.
- When the correct time of day is shown on the LED display, release the plus and minus buttons and wait a few seconds. The

decimal point symbol will stop flashing and the oven is ready to use.

### **The minute minder function**

*The minute minder function is a countdown time that can be set on the oven programmer/timer. When the countdown time has finished, an audible signal will sound.*

- Press and hold down the manual operation button **(6)** until the decimal point starts to flash to enter programming mode.
- Use the plus **(7)** and minus **(5)** buttons to set the countdown time that you require.
- The maximum countdown time that can be set is 23 hours and 59 minutes.
- When the correct countdown time appears on the LED display, release the plus and minus buttons and the countdown will start immediately.
- The oven in use symbol **(2)** will appear on the LED display to show that a countdown time is in progress.
- After a few seconds the LED display will return to showing the time of day.
- At the end of the countdown time, an audible signal will sound and the oven in use symbol will go out. The audible signal will sound for 7 minutes before switching off or you can silence it by pressing any of the oven programmer/timer buttons.
- ***IMPORTANT:*** *If the oven is in use whilst using the minute minder function, the oven WILL NOT switch off at the end of the countdown time. YOU MUST turn the oven function selector knob and the thermostat control knob to their OFF positions.*

## The semi-automatic cooking function

*This function will allow you to set a countdown time similar to the minute minder function, however the oven will switch off at the end of the cooking time.*

- Place the food that you want to cook inside of the oven and close the door.
- Select an oven function and cooking temperature using the relevant control knobs.
- Press and hold down the manual operation button **(6)** until the decimal point starts to flash to enter programming mode, the oven in use symbol **(2)** will appear on the LED display.
- Release the manual operation button and then press it again. The automatic cooking symbol **(1)** will flash and "dur" will appear briefly on the LED display before showing "0.00".
- Use the plus **(7)** and minus **(5)** buttons to set the cooking time that you require.
- The maximum countdown time that can be set is 10 hours.
- When the correct countdown time appears on the LED display, release the plus and minus buttons. Cooking will begin immediately, after a few seconds the countdown time will start.
- The automatic cooking symbol and the oven in use symbol **(2)** will appear on the LED display.
- At the end of the cooking time, an audible signal will sound and the automatic cooking symbol will flash on the LED display.
- To reset the oven and cancel the audible alarm, press the manual operation button until the oven in use symbol appears on the LED display and the automatic cooking symbol goes out.
- **IMPORTANT:** *If you have not turned the oven function selector knob and thermostat control knob to their OFF positions, when you reset the oven it will continue to heat.*

## The end of cooking function

*This function is similar to the semi-automatic function, however instead of setting a countdown time, you select the time of day that you want the oven to switch off at.*

- Place the food that you want to cook inside of the oven and close the door.
- Select an oven function and cooking temperature using the relevant control knobs.
- Press and hold down the manual operation button **(6)** until the decimal point starts to flash to enter programming mode, the minute minder symbol **(4)** will appear on the LED display.
- Release the manual operation button and then press it again. The automatic cooking symbol **(1)** will flash and "dur" will appear on the LED display.
- Release the manual operation button and then press it for a third time, "end" will appear briefly on the LED display before showing "0.00".
- Use the plus **(7)** and minus **(5)** buttons to set the time of day that you want the oven to switch off at.
- The maximum countdown time that can be set is 10 hours.
- When the correct time of day appears on the LED display, release the plus and minus buttons. Cooking will begin immediately, after a few seconds the countdown time will start.
- The automatic cooking symbol and the oven in use symbol **(2)** will appear on the LED display.
- At the end of the cooking time, an audible signal will sound and the automatic cooking symbol will flash on the LED display.
- To reset the oven and cancel the audible alarm, press the manual operation button until the oven in use symbol appears on the LED display and the automatic cooking symbol goes out.
- **IMPORTANT:** *If you have not turned the oven function selector knob and thermostat control knob to their OFF positions, when you reset the oven it will continue to heat.*

## The automatic cooking function

*This function will allow you to set the time of day that you want the oven to switch off at and how long you want the oven to cook for.*

- Place the food that you want to cook inside of the oven and close the door.
- Select an oven function and cooking temperature using the relevant control knobs.
- Press and hold down the manual operation button **(6)** until the decimal point starts to flash to enter programming mode, the minute minder symbol **(4)** will appear on the LED display.
- Release the manual operation button and then press it again. The automatic cooking symbol **(1)** will flash and "dur" will appear briefly on the LED display before showing "0.00".
- Use the plus **(7)** and minus **(5)** buttons to set the cooking time that you require.
- The maximum countdown time that can be set is 10 hours.
- When the correct countdown time appears on the LED display, release the plus and minus buttons.
- **IMMEDIATELY** press the manual operation button, "end" will appear briefly on the LED display before showing "0.00".
- Use the plus **(7)** and minus **(5)** buttons to set the time of day that you want the oven to switch off at.
- The automatic cooking symbol and the time of day will appear on the LED display.
- The appliance will automatically calculate what time of day it needs to switch the oven on at, so that it runs for the cooking time that you set.
- When the oven switches on, the oven in use symbol **(2)** will appear on the LED display, as well as the automatic cooking symbol.
- At the end of the cooking time, an audible signal will sound and the automatic cooking symbol will flash on the LED display.

- To reset the oven and cancel the audible alarm, press the manual operation button until the oven in use symbol appears on the LED display and the automatic cooking symbol goes out.
- **IMPORTANT:** *If you have not turned the oven function selector knob and thermostat control knob to their OFF positions, when you reset the oven it will continue to heat.*

### **Cancelling the semi-automatic and automatic function**

- Press and hold down the minus **(5)** and plus **(7)** button simultaneously, until the automatic cooking symbol **(1)** goes out and the oven in use symbol **(2)** is lit.
- **IMPORTANT:** *If you do not turn the oven function selector knob and thermostat control knob to their OFF positions, when you reset the timer function, it will continue to heat.*

### **Cancelling the minute minder function**

- Press and hold down the manual operation button **(6)** until the decimal point starts to flash to enter programming mode.
- Press and hold down the minus **(5)** and plus **(7)** buttons simultaneously.
- The minute minder symbol **(4)** will go out.
- **IMPORTANT:** *If you do not turn the oven function selector knob and thermostat control knob to their OFF positions, when you reset the timer function, it will continue to heat.*

### **Adjusting the volume of the audible signal**

*The volume of the audible signal has 3 levels, low, medium and high. To adjust the volume, you should proceed as follows:-*

- **IMPORTANT:** *The oven timer/programmer must not be in any form of countdown mode and the oven in use symbol **(2)** must be lit.*
- Press and hold down the minus **(5)** and plus **(7)** buttons simultaneously until the decimal point starts to flash.
- Press the manual operation button **(6)** and the LED display will show "n" followed by a number. 1 is the loudest volume, 2 is the middle volume and 3 is the quietest volume.
- Use the minus button to select the volume level that you desire.



## Changing the time of day

- **IMPORTANT:** The oven timer/programmer must not be in any form of countdown mode and the oven in use symbol **(2)** must be lit.
- Press and hold down the minus **(5)** and plus **(7)** buttons simultaneously until the decimal point starts to flash.
- Release these buttons and then use the minus and plus buttons to alter the time of day.

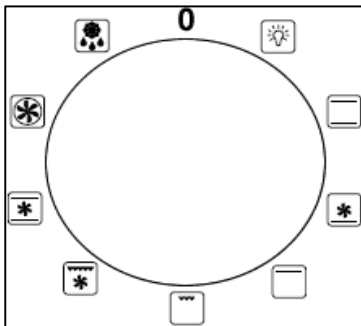
## Selecting a cooking function and temperature

### Selecting manual operation mode

**After your appliance is connected to your mains supply for the first time, the numbers on the timer display will flash. Before you can select a cooking function or set a temperature, you must set the appliance into manual operation mode.**

- To select manual operation mode, press the manual operation button **(6)** on the control panel.

### Selecting an oven function



The oven function selector knob should be used to select the particular mode of cooking that you require. The appliance will utilise different elements within the oven cavity, depending on the oven function that you select. When a function is selected, the power indicator light will come on.

Please note that the symbols shown in the drawing above will not necessarily correspond EXACTLY with the symbols on the control knob of the appliance itself.

### There are nine functions available on your appliance:



**OVEN LIGHT:** Separate light control which allows the light to be switched on, even when the oven is switched off.



**CONVENTIONAL OVEN (top and lower element):** This method of cooking provides traditional cooking, with heat from the top and lower elements. This function is suitable for

roasting and baking on one shelf only.



**FAN AND LOWER ELEMENT:** This method of cooking utilises the bottom element in conjunction with the fan, which helps to circulate the heat. This function is suitable for sterilizing and preserving jars.



**HALF GRILL:** This method of cooking utilises the inner sections of the top element, which directs heat downwards onto the food. This function is suitable for grilling portions of bacon, toast and meat etc.



**FULL GRILL:** This method of cooking utilises the inner and outer parts of the top element, which directs heat downwards onto the food. This function is suitable for grilling medium or large portions of sausages, bacon, steaks, fish etc.



**FAN AND GRILL:** This method of cooking utilises the top element in conjunction with the fan, which helps to provide a quick circulation of heat. This function is suitable where quick browning is required and "sealing" the juices in, such as steaks, hamburgers, some vegetables etc.



**CONVENTIONAL OVEN & FAN:** This method of cooking provides traditional cooking with heat from the top and bottom element. It also switches on the circulation fan which helps to ensure fast, even distribution of the heat. This function is suitable for light and delicate baking such as pastries. You can cook on different shelf levels, as long as the food being cooked requires the same cooking temperature.

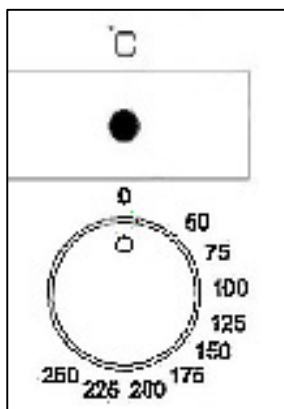


**FAN OVEN:** This method of cooking uses the circular element while the heat is distributed by the fan. This results in a faster and more economical cooking process. The fan oven allows food to be cooked simultaneously on different shelves, preventing the transmission of smells and tastes from one dish onto another.



**DEFROST MODE:** The fan runs without heat to reduce the defrosting time of frozen foods. The time required to defrost the food will depend on the room temperature, the quantity and type of food. Always check food packaging for the defrosting instructions.

## Thermostat control knob



The oven thermostat control knob sets the required temperature of the oven. It is possible to regulate the temperature within a range of 50 - 250°C.

**Turn the control knob clockwise.**

Please note that the control knob shown in the drawing above will not necessarily correspond **EXACTLY** with the control knob on the appliance itself.



## Oven operating light



This light will come on to indicate that the oven's heating elements are in operation. The light will turn off when the temperature set on the thermostat control knob has been reached. It will cycle on and off throughout the cooking time.

**You should not place food inside the cavity, until the correct cooking temperature has been reached.**

## Cooking table

The table below should be regarded as a guide only. Other factors can influence the cooking result such as food quantity and quality, starting temperature of food and personal preference.

<b>Food type</b>	<b>Dish</b>	<b>Cooking function</b>	<b>Cooking temperature (°C)</b>	<b>Cooking time</b>	<b>Shelf level (from bottom)</b>
Flans 	Cannelloni	Fan oven	180	00h.45	2
	Lasagne	Conventional oven and fan	160	00h.50	2
	Quiches	Fan oven	180	00h.50	2
	Potato timbale	Fan oven	170	01h.00	3
	Zucchini timbale	Fan oven	180	00h.50	2
Fish 	Flat fishes	Full grill	180	00h.25	3
	Salmon (filet)	Conventional oven	180	00h.30	2
	Tuna (filet)	Conventional oven	180	00h.35	2
	Trout (filet)	Conventional oven	180	00h.25	2

	Mullet	Full grill	180	00h.25	3
Bread/Pizza 	Savoury focaccia	Fan oven	220	00h.20	2
	Bread	Conventional oven and fan	180	00h.40	3
	Pizza	Fan and lower element	230	00h.25	2
	Savoury tart	Fan oven	200	00h.30	2
Meat 	Roast pork	Conventional oven and fan	180	01h.40	2
	Roast veal	Conventional oven and fan	180	01h.55	3
	Roast chicken	Conventional oven and fan	180	01h.05	3
	Meat loaf	Fan oven	170	01h.30	3
	Beef filet	Conventional oven and fan	200	00h.35	3
	Spare ribs	Fan and grill	200	00h.40	4

### Cooking guidelines

- Please refer to the information given on food packaging for guidance on cooking temperatures and times. Once familiar with the performance of your appliance, temperatures and times can be varied to suit personal preference.
- If you are using the fan oven function, then you should follow the information given on the food packaging for this particular mode of cooking.
- You should pre-heat the oven and not place food inside of it until the oven operating light has gone off. You can choose not to pre-heat when using the fan oven mode; however you should extend the cooking time given on the food packaging by at least ten minutes.
- **IMPORTANT:** You should pre-heat the oven if you are baking no matter what oven function you are using.
- If there is no guidance given on the food packaging specifically for cooking in fan oven mode, you can generally reduce the cooking time and temperature by 10% from the information given for conventional oven cooking.
- Make sure that frozen foods are thoroughly thawed before cooking, unless the instructions on the food packaging advise that you can "cook from frozen".
- Before cooking, check that any accessories that are not required are removed from the oven.

- Place cooking trays in the centre of the oven and leave gaps between the trays to allow air to circulate.
- Try to open the door as little as possible to view the dishes.
- The oven light will remain on during cooking.

## **Warnings**

- Keep the oven door closed when using any of the grill functions.
- Do not use aluminium foil to cover the grill pan or heat items wrapped in aluminium foil under the grill. The high reflectivity of the foil could potentially damage the grill element.
- You should also never line the base of your oven with aluminium foil.
- During cooking, never place pans or cookware directly onto the bottom of your oven. They should always be placed on the shelves provided.
- The grill heating element and other internal components of the oven become extremely hot during operation, avoid touching them inadvertently when handling the food which you are grilling.
- ***Important:*** *Be careful when opening the door, to avoid contact with hot parts of the oven and steam.*
- The drip tray handle should only be used to reposition the drip tray and ***NOT*** for removing it from the oven cavity. When removing the drip tray, you should ***ALWAYS*** use an oven glove.
- The drip tray handle should not be left in position when the appliance is switched on.
- ***Warning:*** *Accessible parts may become hot during use. Young children should be kept well away from the oven when it is in use.*

## Cleaning and maintenance



***Cleaning operations must only be carried out when the oven is cool.***

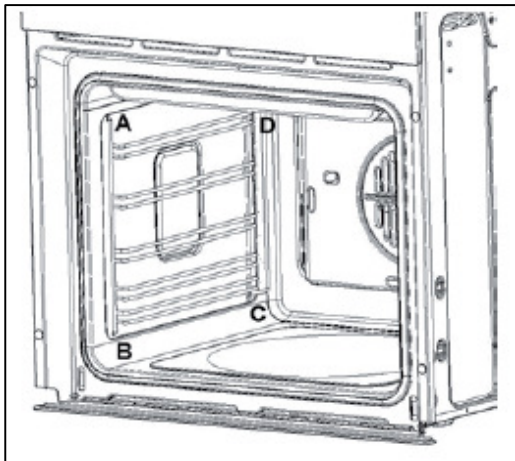
***The appliance should be disconnected from your mains supply before commencing any cleaning process.***

- The oven should be thoroughly cleaned before it is operated for the first time and after each use. This will avoid residual food stuffs becoming baked on the oven cavity. After residues have been baked on several times, they are far more difficult to remove.
- ***Never*** clean the oven surfaces by steam cleaning.
- The oven cavity should only be cleaned with warm soapy water, using either a sponge or soft cloth. No abrasive cleaners should be used.
- Any stains that may appear on the bottom of the oven will have originated from food splashes or spilt food, these splashes occur during the cooking process. These could possibly be a result of the food being cooked at an excessively high temperature or being placed in cookware that is too small.
- You should make sure that the cooking temperature that is selected is appropriate for the food that you are cooking. You should also ensure that the food is placed in an adequately sized dish and use the drip tray where appropriate.
- Outer parts of the oven should only be cleaned with warm soapy water, using either a sponge or soft cloth. No abrasive cleaners should be used.
- If you use any form of oven cleaner on your appliance, then you must check with the manufacturer of the cleaner that it is suitable for use on your appliance.
- ***Any damage that is caused to the appliance by a cleaning product will not be fixed by Baumatic free of charge, even if the appliance is within the guarantee period.***

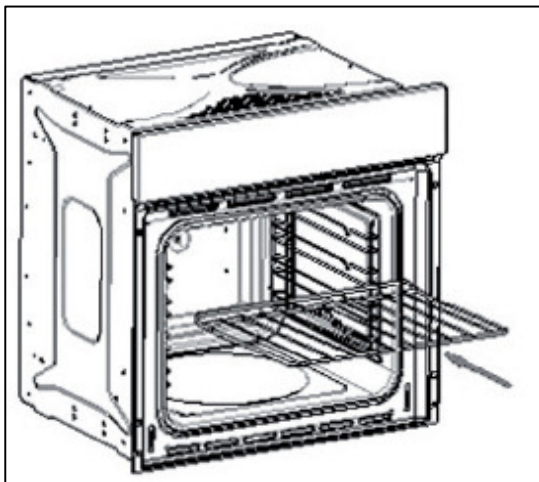
## Removable oven roof liner

- Your appliance is supplied with a roof liner, which should be slid over the top of the grill element.
- Once you have finished cooking, the liner should be removed and thoroughly cleaned after each use of the appliance.
- **Do not** allow fat and grease to build up on the oven liner, as this could cause a fire hazard.

## Removable side racks



- To remove the side rack, pull it gently away from holes **A** and **B** until it is unhinged from the holes.
- Repeat this process for holes **C** and **D**.
- To reassemble the rack, insert the rack in holes **C** and **D** simultaneously, then in hole **B** and then finally in hole **A**.

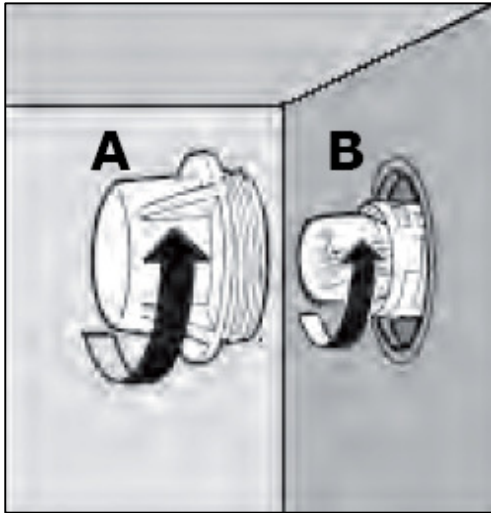


- The oven shelf should be inserted in the provided shelf positions. It should be inserted with the raised edge first as shown in the diagram on the left.
- Lift the rack until it reaches the end of the shelf position to touch the back of the oven.

## Replacing the oven bulb



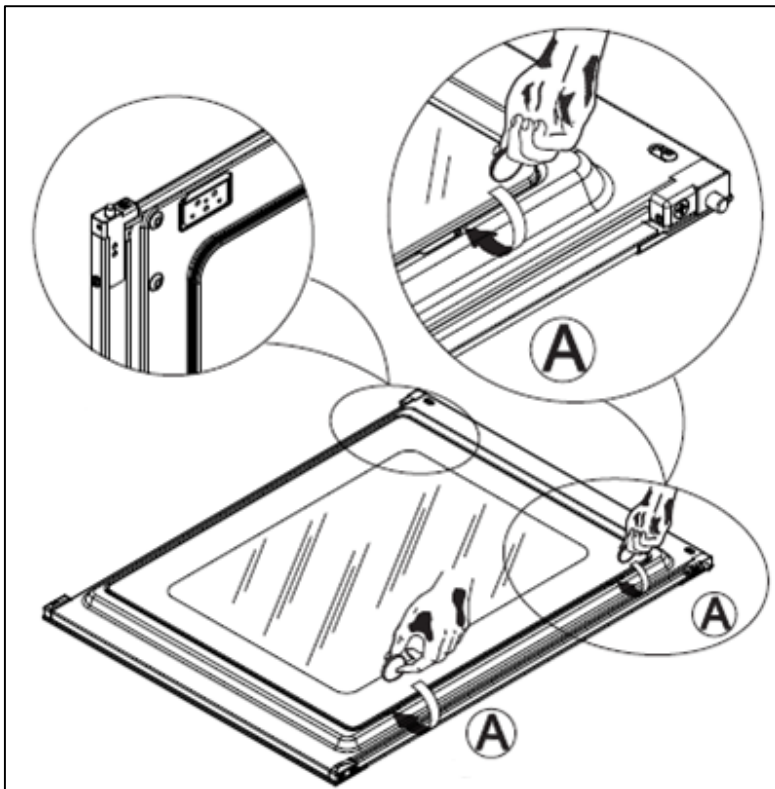
***IMPORTANT: The oven must be disconnected from your mains supply before you attempt to either remove or replace the oven bulb.***



- Remove all oven shelves, the drip tray and the side rack that is on the same side as the oven light.
  - Remove the lamp cover by turning it anti-clockwise.
  - Unscrew the bulb and remove it from its holder.
  - Replace the bulb with a 25 W/300°C, screw type pygmy.
- 
- ***Do not*** use any other type of bulb.
  - Place the lamp cover back into position.



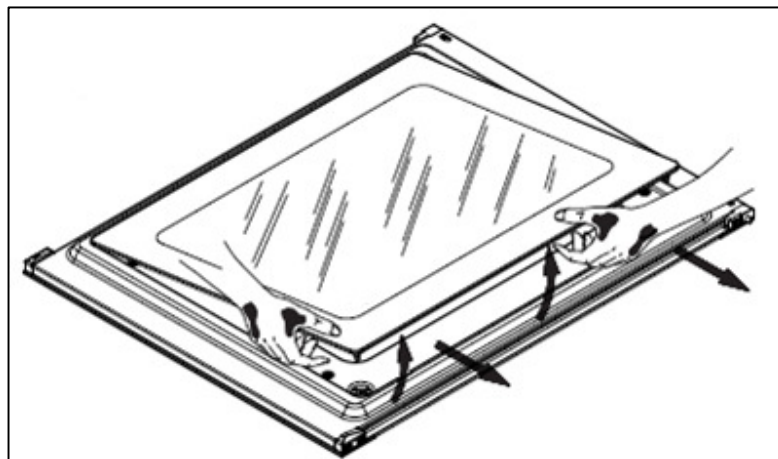
## Removing the inner door glass for cleaning



- Do not use any abrasive cleaner that could cause damage.
- Remember that if the surface of the glass panel becomes scratched, this could lead to a dangerous failure.
- To facilitate cleaning, the inner door glass can be lifted out.
- You should open the oven door fully and find the two indents

indicated in the picture above **(A)**.

- Use a coin and push it into each indent, pushing the coin upwards to pop the inner door glass away from the door frame.



- When refitting, make sure that the glass is correctly seated in the door recess and the correct way round.
- Press gently on the glass until the pins slot back into their original position.

## INSTALLATION



**The installation must be carried out by a suitably qualified person, in accordance with the current version of the following.**

- **UK Regulations and Safety Standards or their European Norm Replacements.**
- **Building Regulations** (issued by the Department of the Environment).
- **Building Standards** (issued by the Scottish Development Department).
- **IEE Wiring Regulations.**
- **Electricity At Work Regulations.**

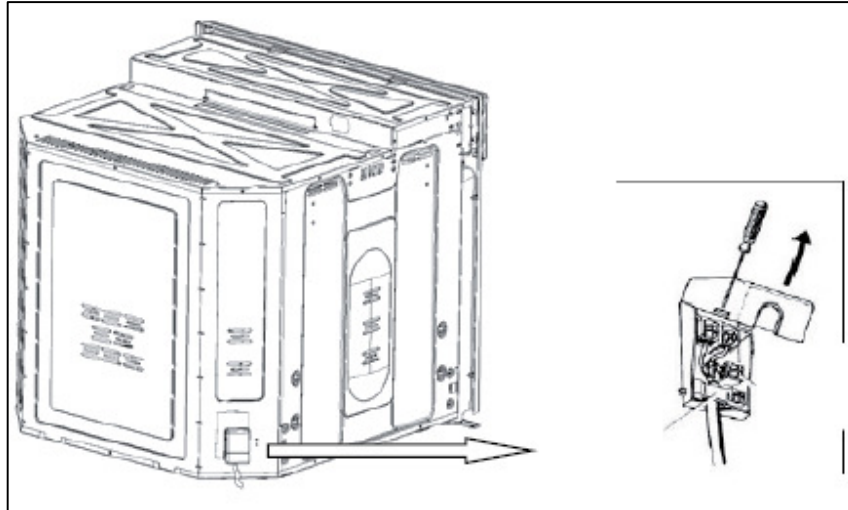
Before connecting the appliance, make sure that the supply voltage marked on the rating plate corresponds with your mains supply voltage.

### **WARNING: THIS APPLIANCE MUST BE EARTHED.**

- This appliance should be wired into a 13 A double pole switched fused spur outlet, having 3 mm contact separation and placed in an easily accessible position adjacent to the appliance. The spur outlet must still be accessible even when your oven is located in its housing.



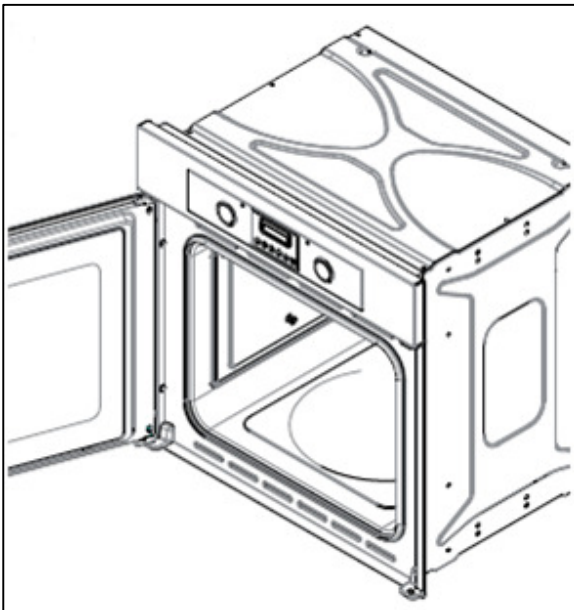
- To connect the oven power cord, loosen and remove the cover on the terminal block, in order to gain access to the contacts inside. Make the connection, securing the cord in place with the cable clamp provided and then immediately close the terminal block cover again.
- If you have to change the oven power cord, the earthing (yellow/green) conductor must always be 10 mm longer than the line conductors.
- Care must be taken to ensure that the temperature of the mains supply cable does not exceed 50°C.
- If the mains supply cable is damaged, then it must be replaced by an appropriate replacement which can be obtained from the Baumatic Spares Department.



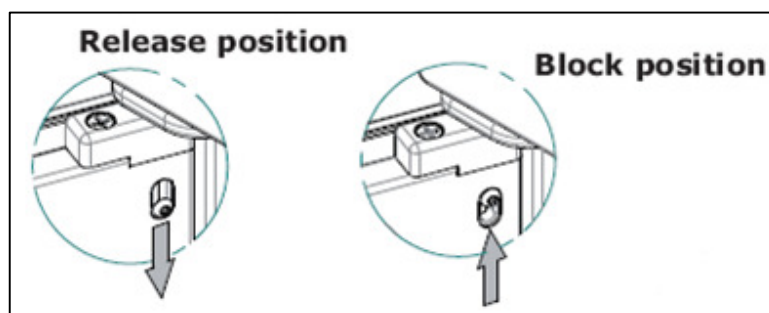
## Reversing the door of your appliance

**IMPORTANT:** This operation must be only carried out by a suitably qualified person.

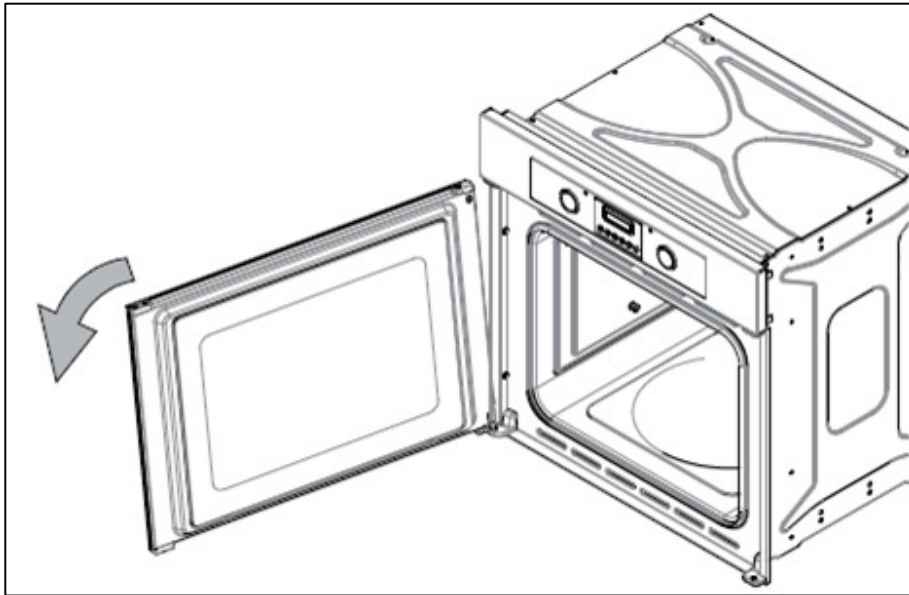
- **It is necessary to disconnect the oven from the mains before executing the operations described.**



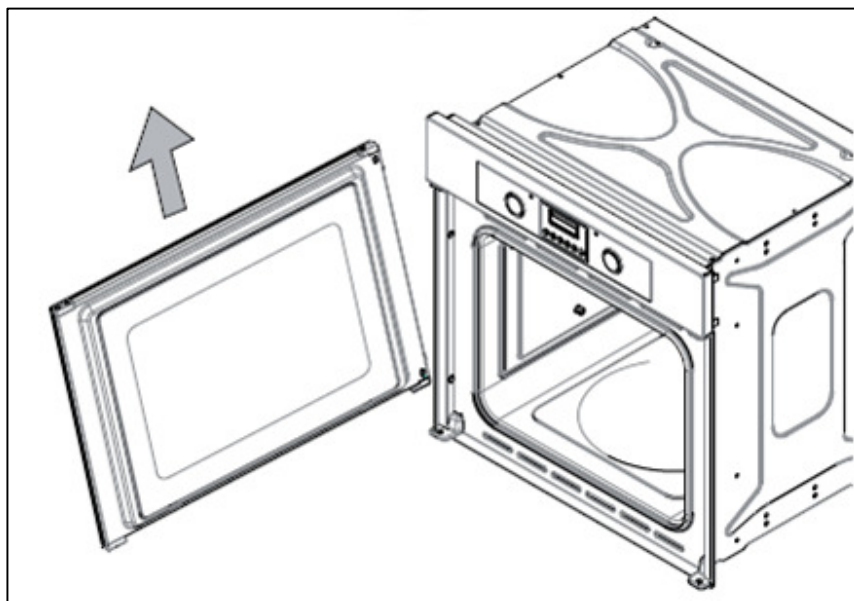
- The oven door can be attached on both sides of the appliance.
- You can decide whether the oven door should open from the left or right depending on personal preference and the kitchen layout or design.



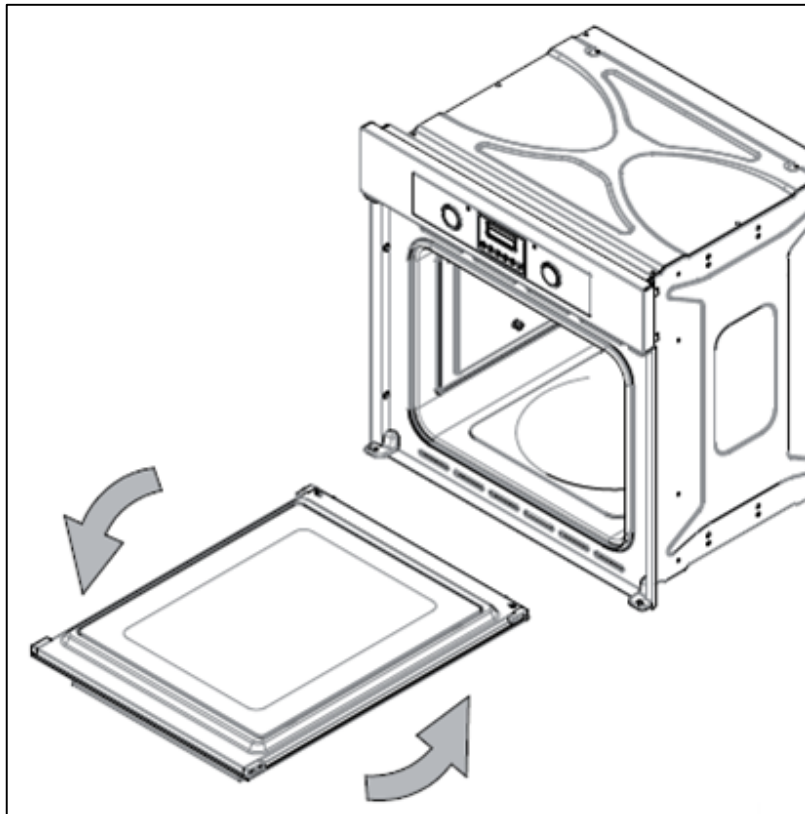
- To remove the oven door from its current side you need to slide the top hinge bolt from the block to the release position.



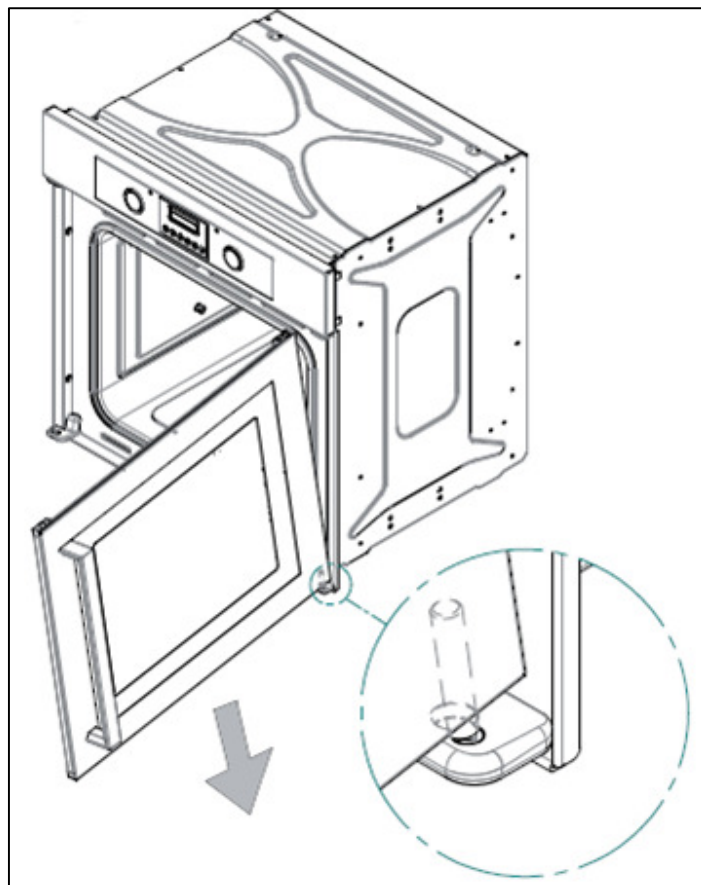
- This will release the top of the oven door from the frame.



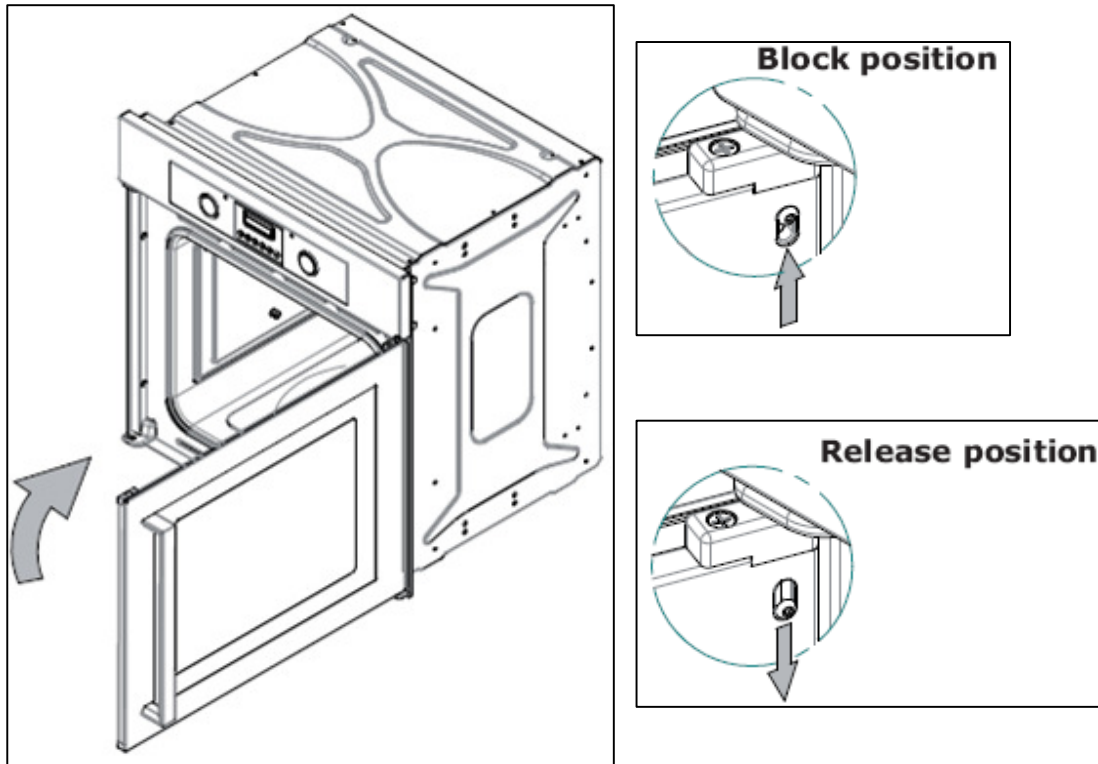
- While supporting the oven door, slide the lower hinge bolt from the block to the release position. This will detach the oven door from the appliance.



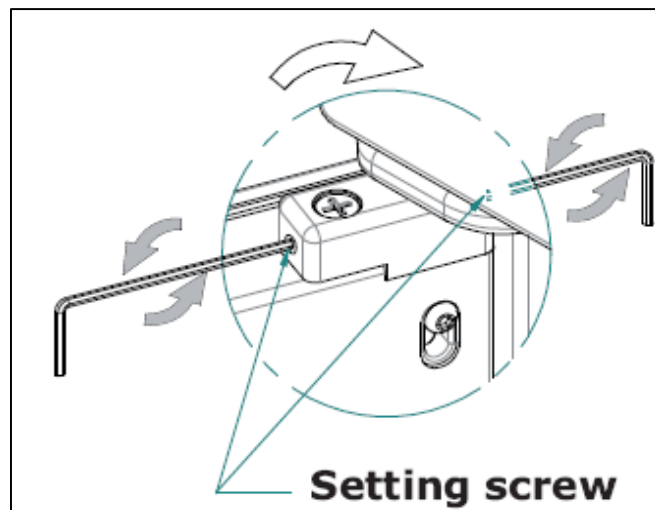
- Rotate the oven door upside down so the handle is on the opposite side.



- Reattach the oven door on the opposite side by slotting the lower hinge into the hole at the base of the oven frame and then attaching the top hinge.

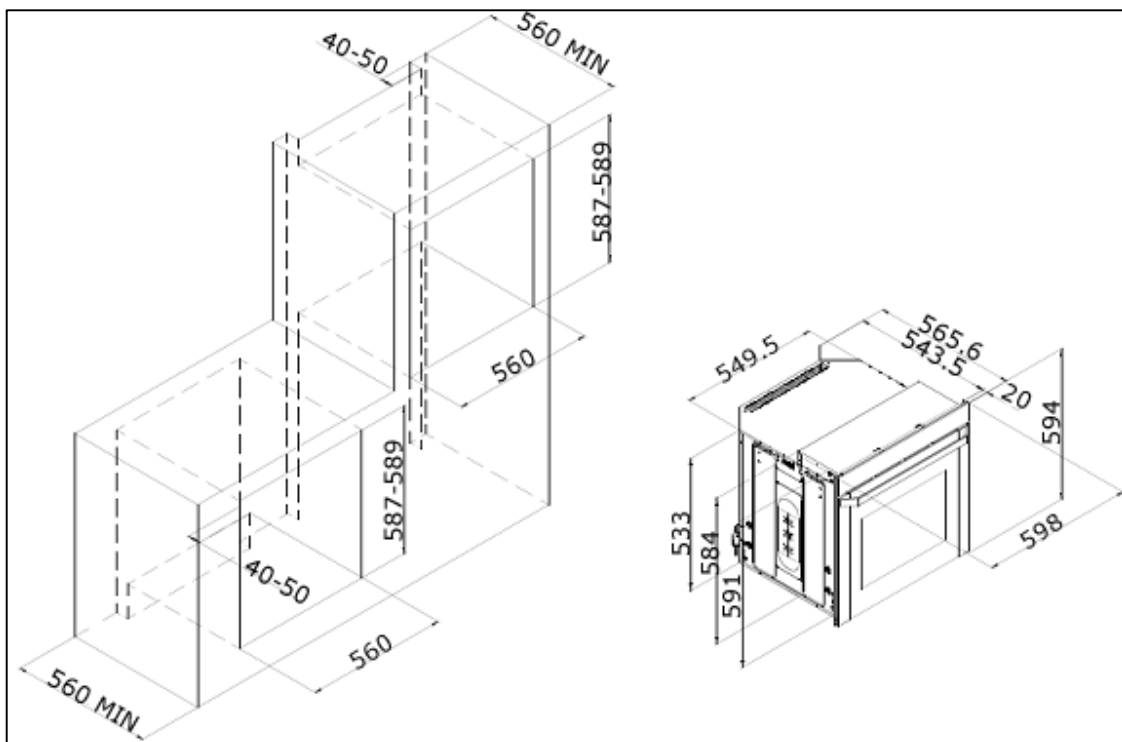


- When the oven door is securely in position, you should slide the top and lower hinge bolts from the release to the block position. This will firmly attach the door to the appliance.



- You can rotate the setting screw if you need to adjust the position of the oven door to ensure the door is parallel with the front panel.

## Installing the oven into the kitchen cabinet



### Fixing the oven into a cabinet.

- Ensure that the aperture that you will be fitting the oven into is of the size given in the above diagram.
- Ensure that the rear panel of the furniture housing unit has been removed.
- This oven may be installed without any additional ventilation cut outs being made in the housing unit. However the ventilation cut out indicated in the drawing above **MUST** be present, otherwise the oven may overheat. This applies to a built in or built under installation.

## **My appliance isn't working correctly**

- ***The oven isn't coming on.***
  - \* Check that the oven is in manual operation mode.
  - \* Check that you have selected a cooking function and a cooking temperature.
- ***There appears to be no power to the oven and grill.***
  - \* Check that the appliance has been connected to the electrical mains supply correctly.
  - \* Check that the mains fuses are in working order.
  - \* Check that the operating instructions for setting the time of day and putting the appliance into manual operation mode have been followed.
- ***The grill function works but the main oven does not.***
  - \* Check that you have selected the correct cooking function.
- ***The grill and top oven element is not working, or cuts out for long periods of time during use.***
  - \* Allow the oven to cool for approximately 2 hours. Once cool, check whether the appliance is again working properly.
- ***My food is not cooking properly***
  - \* Ensure that you are selecting the correct temperature and the correct cooking function for the food that you are cooking. It may be appropriate to adjust your cooking temperature by plus or minus 10°C, to achieve the best cooking results.
- ***My food is not cooking evenly***
  - \* Check that the oven has been installed correctly and is level.
  - \* Check that the correct temperatures and shelf positions are being used.
- ***The oven light is not working***



- \* Refer to page 24 and follow the "Replacing the oven bulb" section.
- ***I am getting condensation in my oven***
  - \* Steam and condensation is a natural by product of cooking any food with high water content, such as frozen food, chicken etc.
  - \* You may get condensation in the oven cavity and forming between the oven door glasses. This is not necessarily a sign that the oven is not working correctly.
  - \* Do not leave food in the oven to cool after it has been cooked and the oven has been switched off.
  - \* Use a covered container, where practical, when cooking to reduce the amount of condensation that forms.



***IMPORTANT: If your appliance appears not to be operating correctly, then you should disconnect it from your mains supply and then contact the Baumatic Service Department on telephone number (0118) 933 6911.***

***DO NOT ATTEMPT TO REPAIR THE APPLIANCE YOURSELF.***

Please note that if an engineer is asked to attend whilst the product is under guarantee and finds that the problem is not the result of an appliance fault, then you may be liable for the cost of the call out charge.

***The appliance must be accessible for the engineer to perform any necessary repair. If your appliance is installed in such a way that an engineer is concerned that damage will be caused to the appliance or your kitchen, then he will not complete a repair.***

***This includes situations where appliances have been tiled in, sealed in with sealant, have wooden obstructions placed in front of the appliance, like plinths. Or any installation other than the one specified by Baumatic Ltd. has been completed.***

Please refer to the conditions of guarantee that appear on the warranty card that you receive with the appliance.

## Baumatic Consumables

- **BC001** Degreaser for Dishwashers (200 g)
- **BC002** Descaler for Washing Machines and Dishwashers (200 g)
- **BC003** Ceramic Hob Cleaner (250 ml)
- **BC004** Oven Cleaner (250 ml)
- **BC005** Stainless Steel Cleaner and Protector (250 ml)
- **BC007** E-Cloth – General Purpose Cloth
- **BC008** Microwave Cover

To order a Baumatic consumable product please call 0123 5437 244 and quote the product code. You can also order online from [eshop.baumatic.co.uk](http://eshop.baumatic.co.uk)



***United Kingdom***

Baumatic Ltd.,  
Baumatic Buildings,  
6 Bennet Road,  
Reading, Berkshire  
RG2 0QX  
United Kingdom

**Sales Telephone**

(0118) 933 6900

**Sales Fax**

(0118) 931 0035

**Customer Care Telephone**

(0118) 933 6911

**Customer Care Fax**

(0118) 986 9124

**Spares Telephone**

(01235) 437244

**Advice Line Telephone**

(0118) 933 6933

**E-mail:**

sales@baumatic.co.uk  
customercare@baumatic.co.uk  
spares@baumatic.co.uk  
technical@baumatic.co.uk

**Website:**

[www.baumatic.co.uk](http://www.baumatic.co.uk)

**Facebook:**

[www.facebook.com/baumatic.uk](http://www.facebook.com/baumatic.uk)

***Republic of Ireland***

**Service Telephone**

1-890 812 724

**Spares Telephone**

091 756 771

***Czech Republic***

Baumatic CR s.r.o.  
Lípová 665  
460 01 Liberec 4  
Czech Republic

+420 483 577 200

[www.baumatic.cz](http://www.baumatic.cz)

***Slovakia***

Baumatic Slovakia, s.r.o.  
Galvániho 7/D  
Slovakia

+421 255 640 618

***Germany***

Baumatic Gmbh  
Bachstr.10-12  
D-32 257 Bünde  
Deutschland

+49 (0) 5223 99408 0

[www.baumatic.de](http://www.baumatic.de)

***Italy***

Baumatic Italia S.R.L.  
Via Galvani N.3  
35011 Campodarsego (PD)

+3904 9920 2297

[www.baumatic.it](http://www.baumatic.it)

***Holland***

Baumatic Benelux B.V.  
Dukdalfweg 15d  
1332 BH ALMERE  
Nederland

+31(0)36 549 1553

[www.baumatic.nl](http://www.baumatic.nl)

